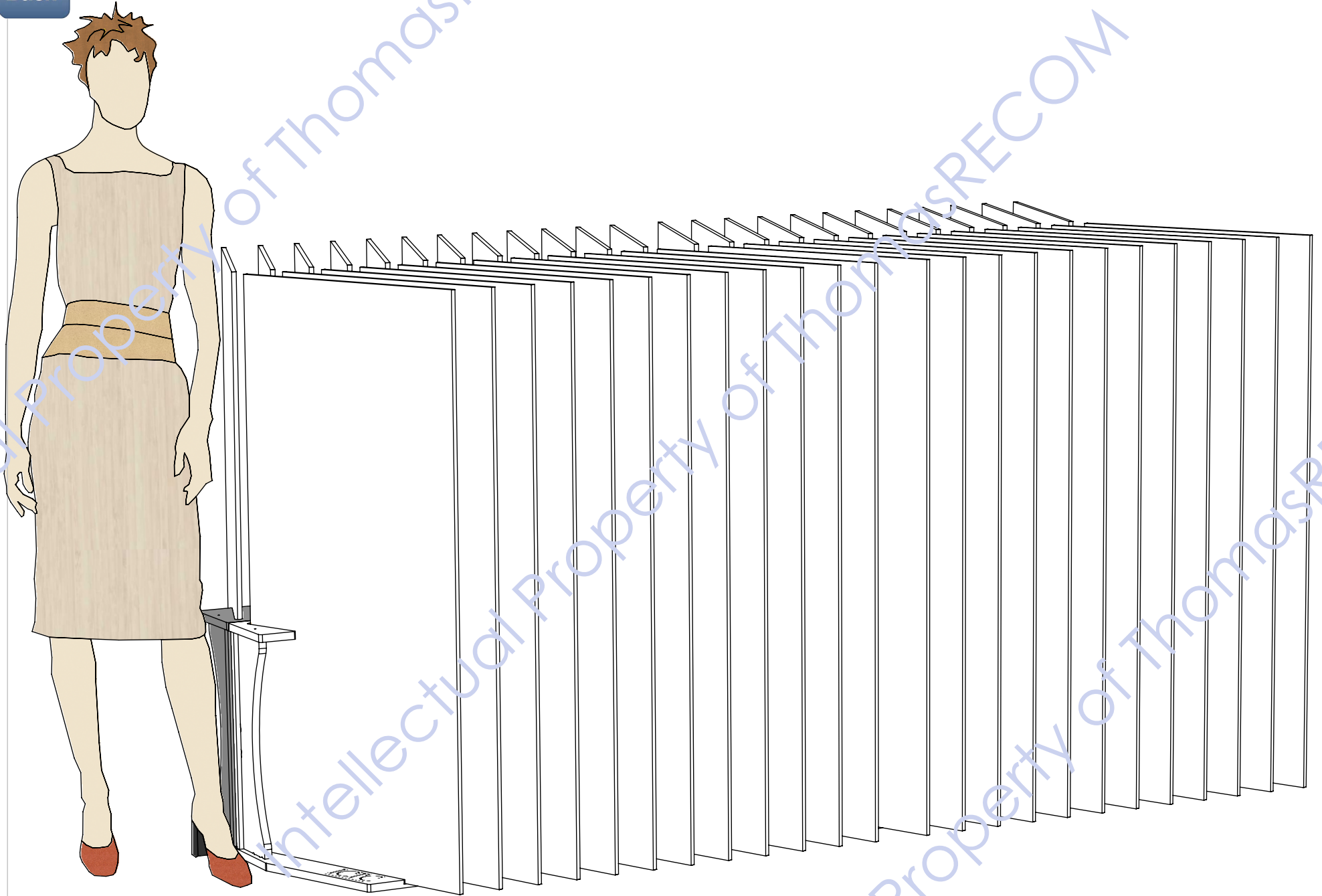
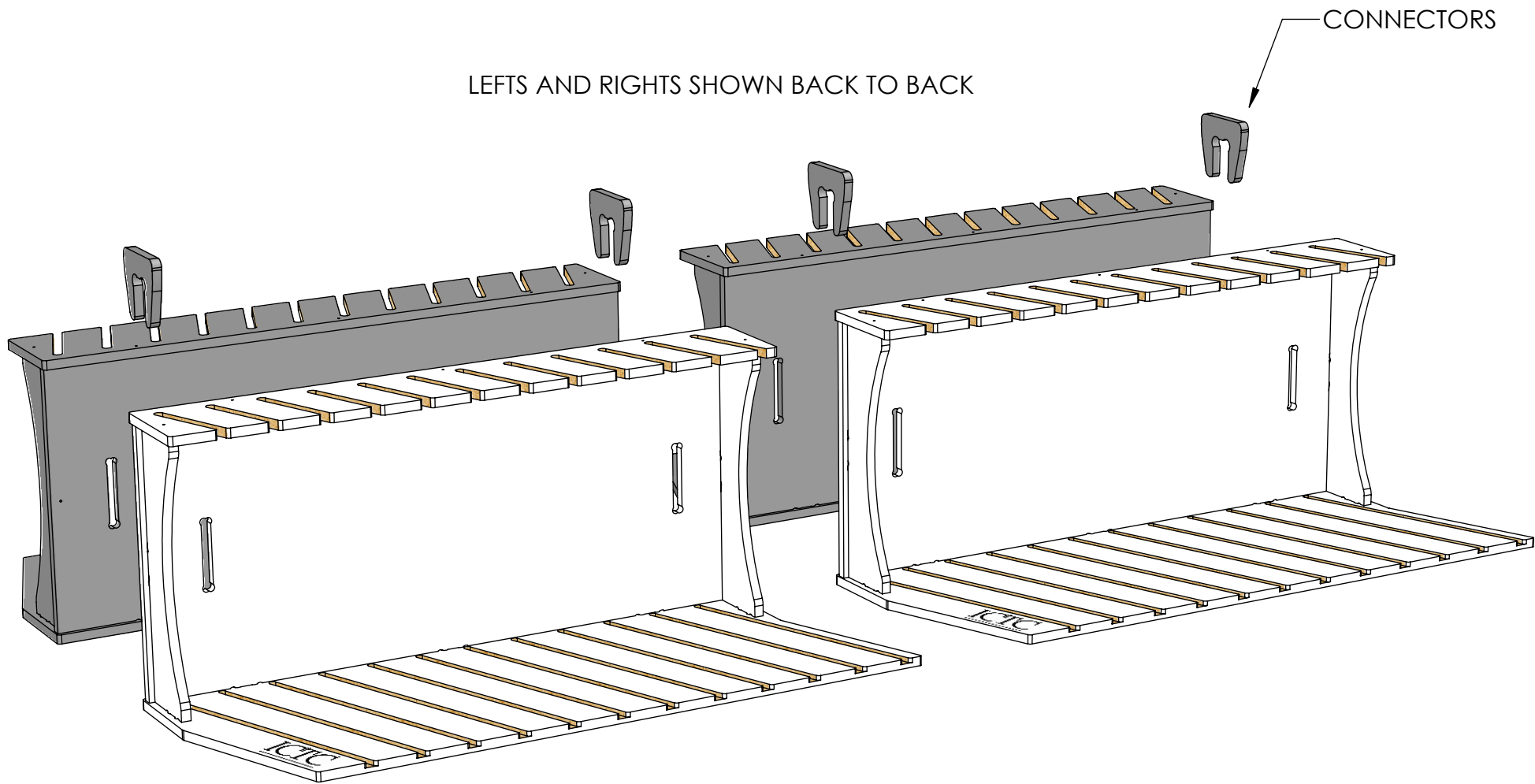


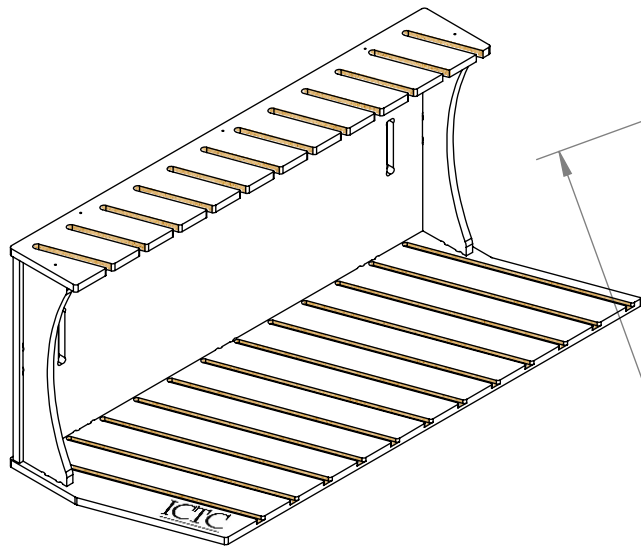
Back



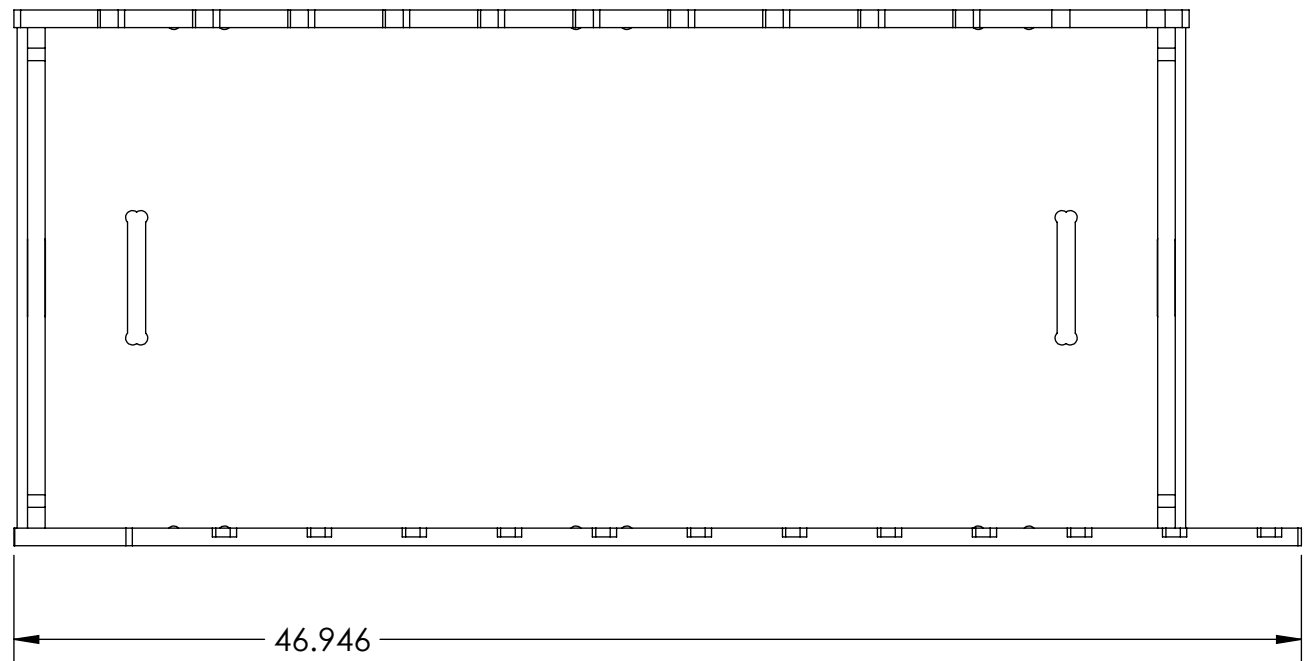
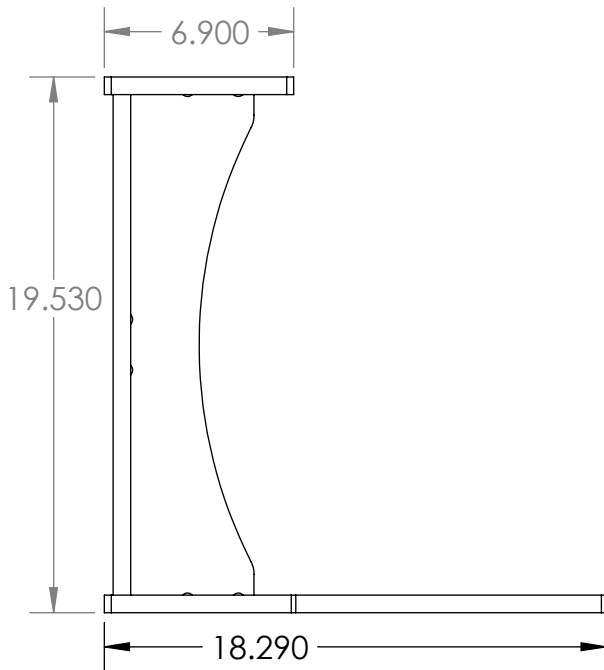
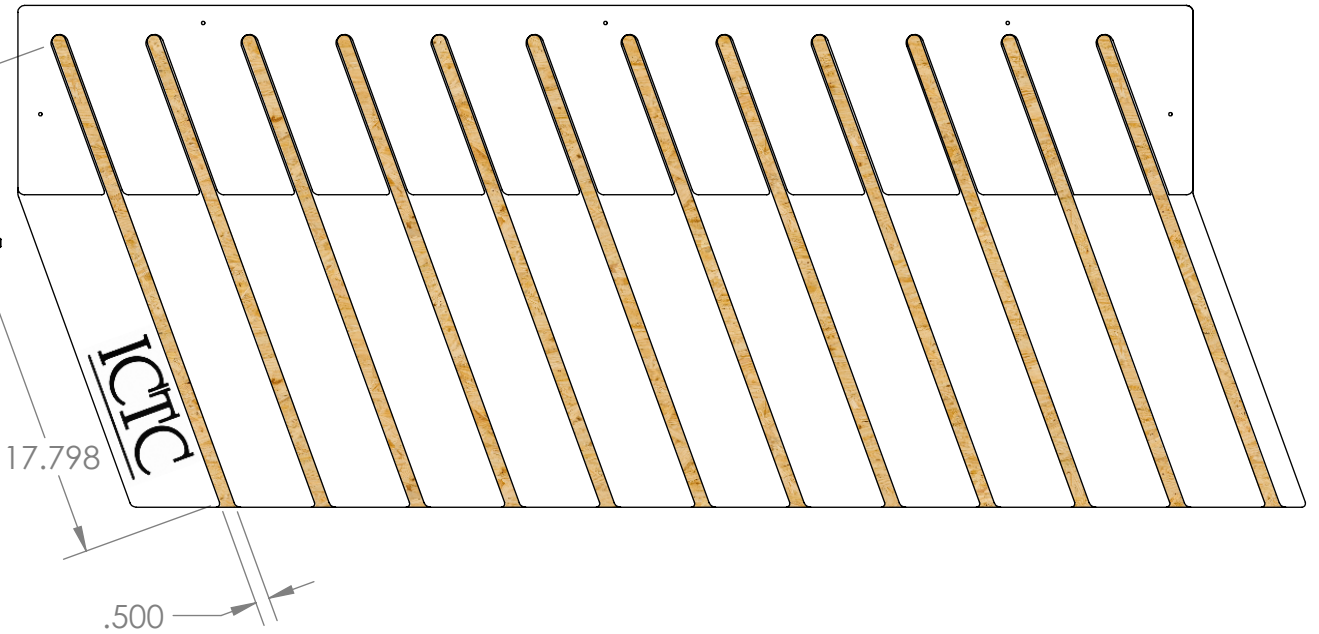
LEFTS AND RIGHTS SHOWN BACK TO BACK

CONNECTORS

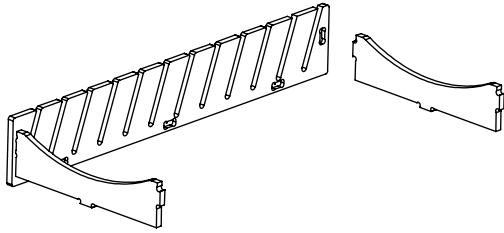




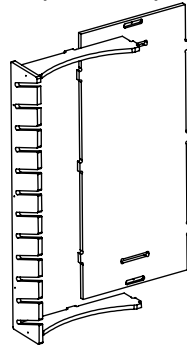
RIGHT SLOT VERSION SHOWN HERE



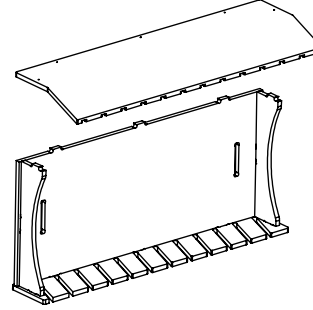
(1.) SCREW BRACES TO TOP AS SHOWN (LOOSE, DO NOT TIGHTEN)



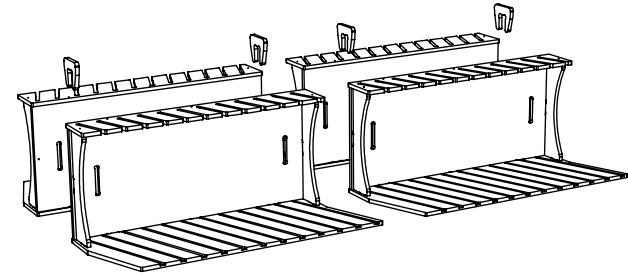
2.) STAND ON SIDE AS SHOWN AND ATTACH BACK (LOOSE)



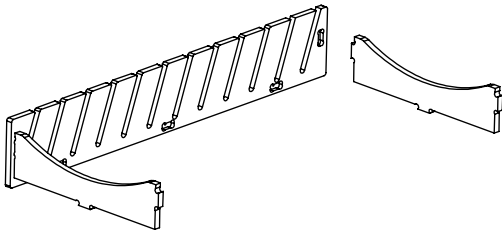
3.) FLIP OVER AND ATTACH BOTTOM (TIGHTEN ALL SCREWS)



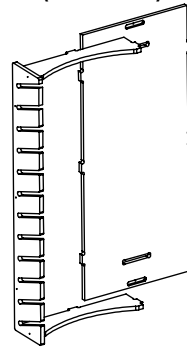
4.) CONNECT BACK TO BACK IF DESIRED



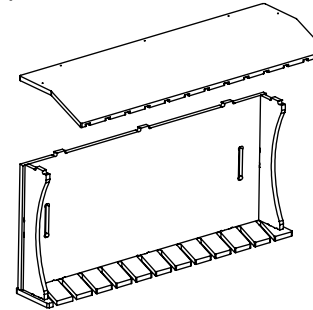
(1.) SCREW BRACES TO TOP AS SHOWN (LOOSE, DO NOT TIGHTEN)



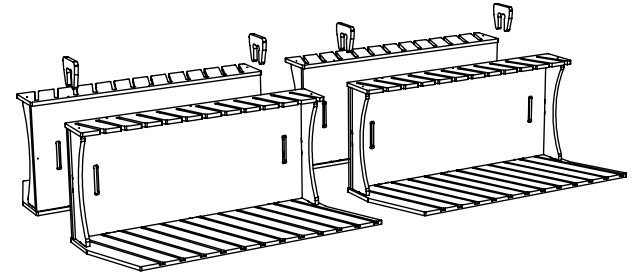
2.) STAND ON SIDE AS SHOWN AND ATTACH BACK (LOOSE)



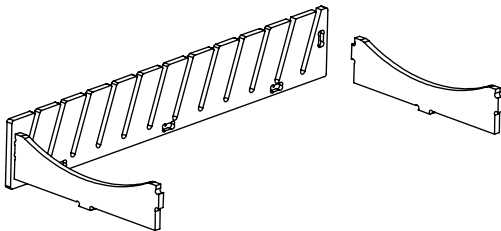
3.) FLIP OVER AND ATTACH BOTTOM (TIGHTEN ALL SCREWS)



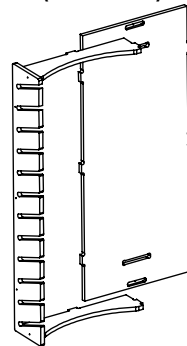
4.) CONNECT BACK TO BACK IF DESIRED



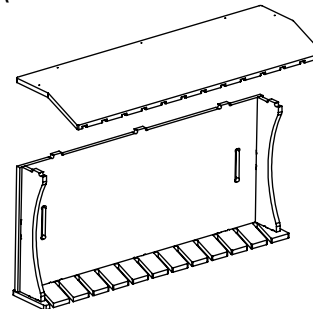
(1.) SCREW BRACES TO TOP AS SHOWN (LOOSE, DO NOT TIGHTEN)



2.) STAND ON SIDE AS SHOWN AND ATTACH BACK (LOOSE)



3.) FLIP OVER AND ATTACH BOTTOM (TIGHTEN ALL SCREWS)



4.) CONNECT BACK TO BACK IF DESIRED

