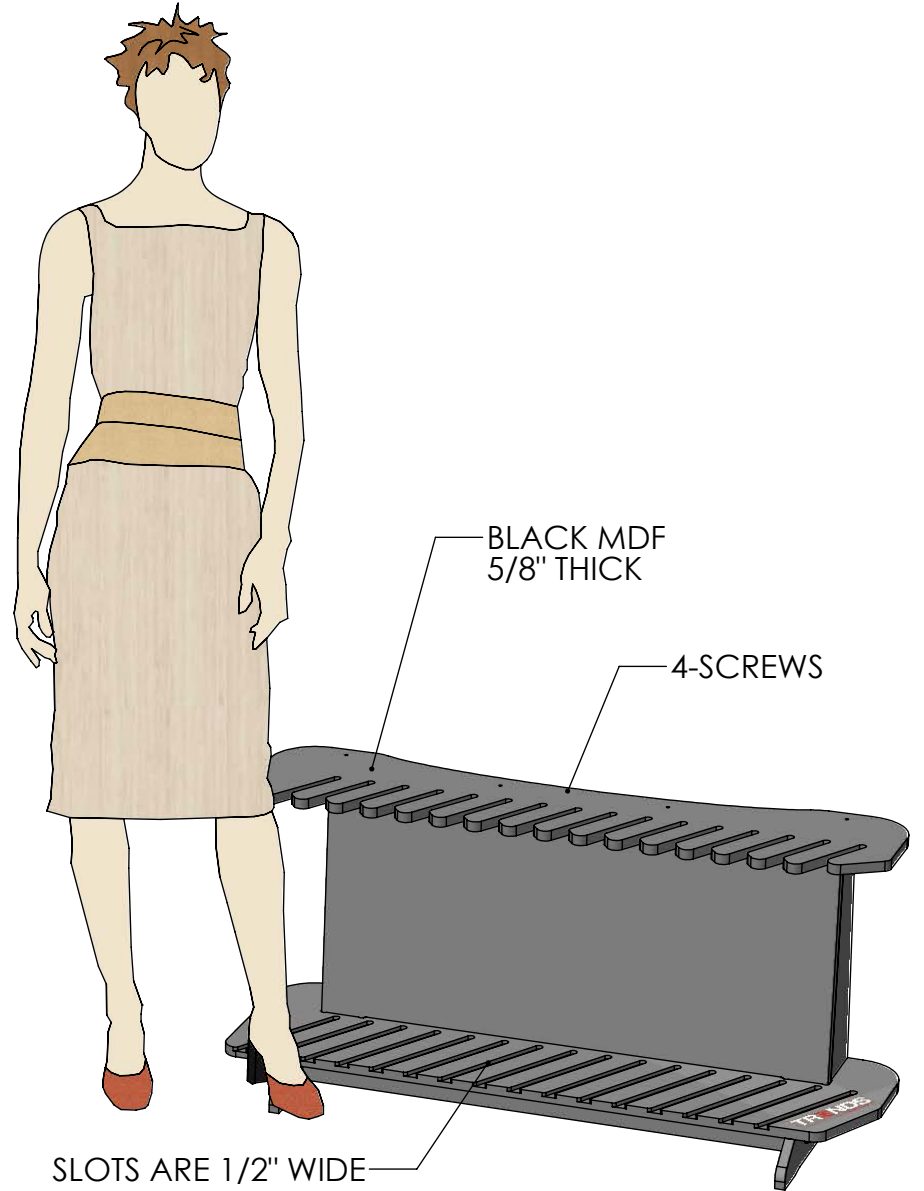
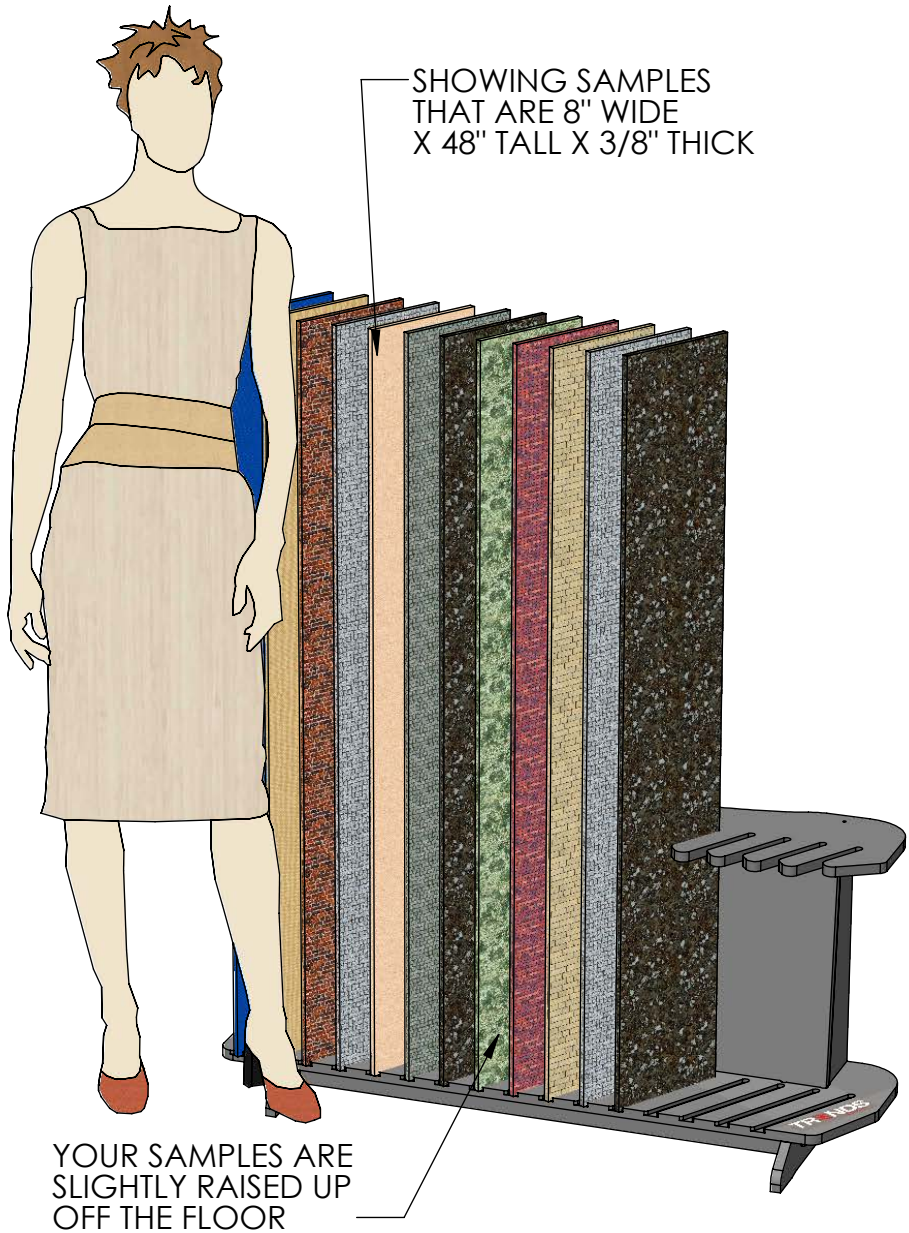


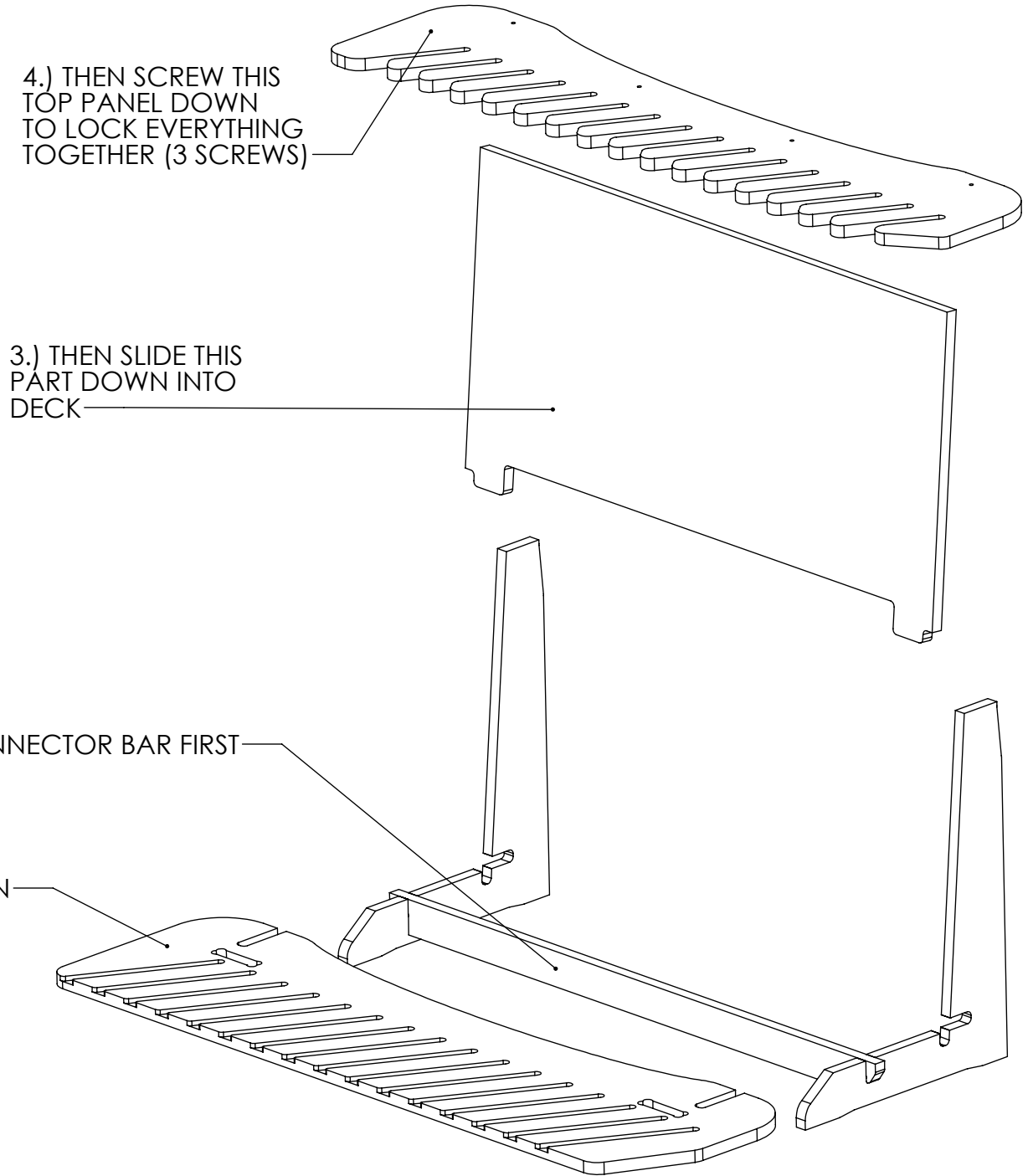
SHIPS FLAT IN 6 PARTS



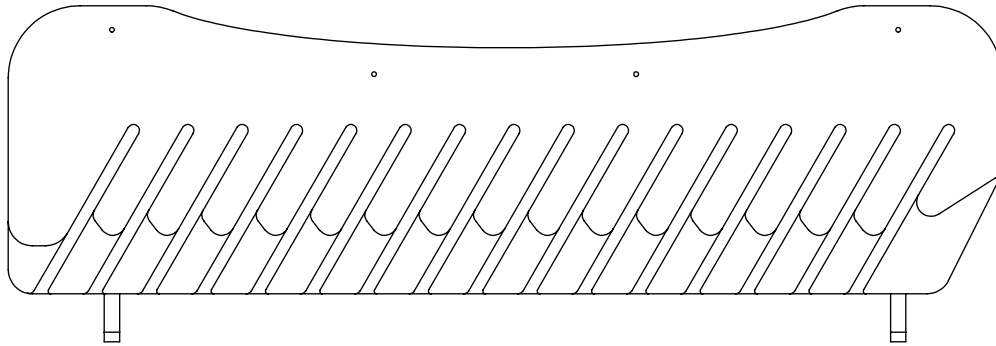
DISPLAY SHIPS FLAT IN 6 PARTS

5/8" THICK
BLACK MDF

- 1.) SLIDE BOTTOM PANEL IN
- 2.) PLACE SPANNER/CONNECTOR BAR FIRST
- 3.) THEN SLIDE THIS PART DOWN INTO DECK
- 4.) THEN SCREW THIS TOP PANEL DOWN TO LOCK EVERYTHING TOGETHER (3 SCREWS)

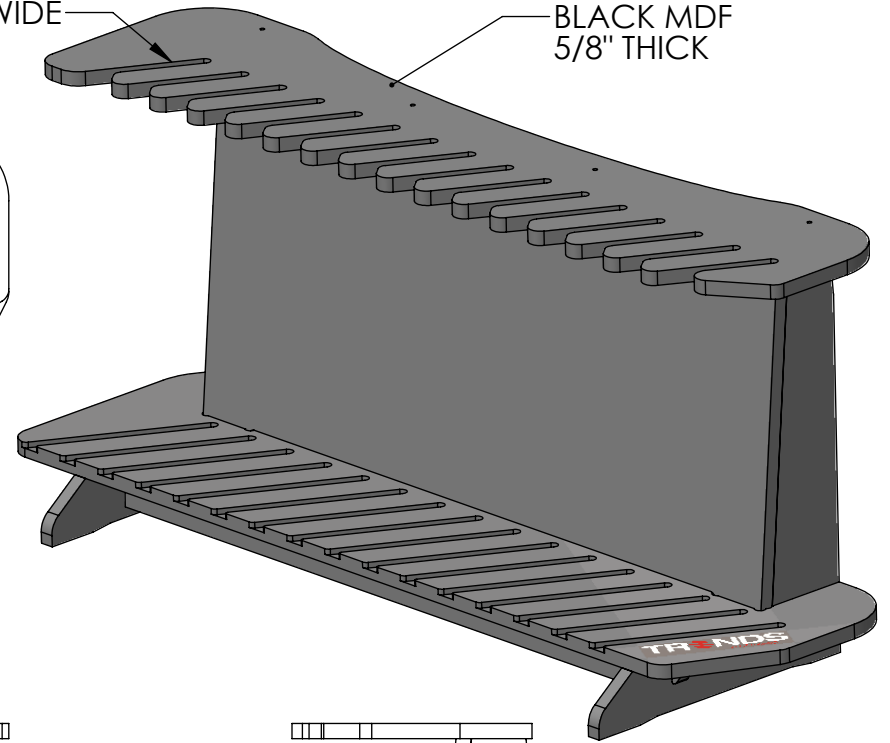


TOP VIEW

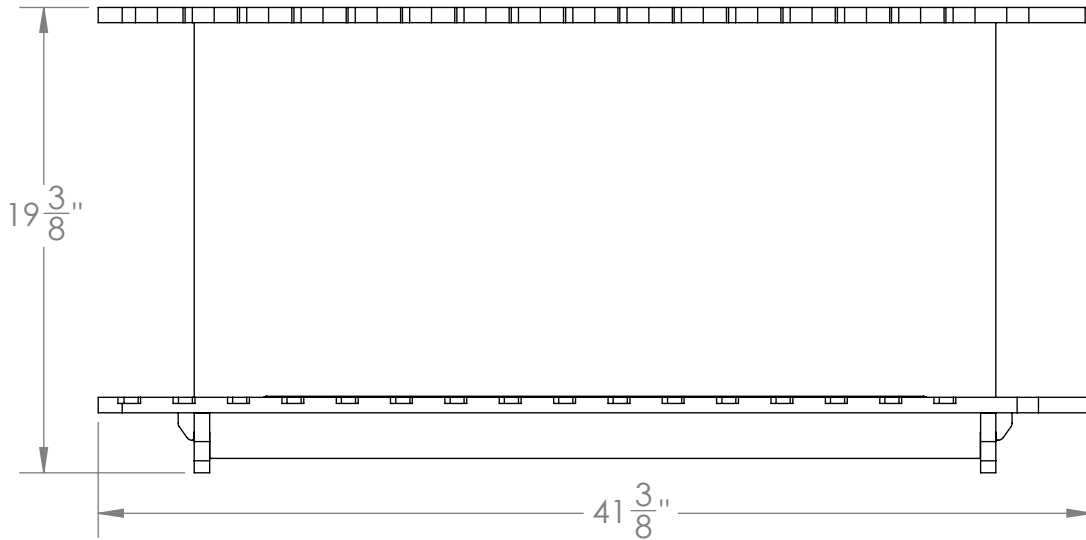


SLOTS ARE 1/2" WIDE

BLACK MDF 5/8" THICK



FRONT VIEW



SIDE VIEW

