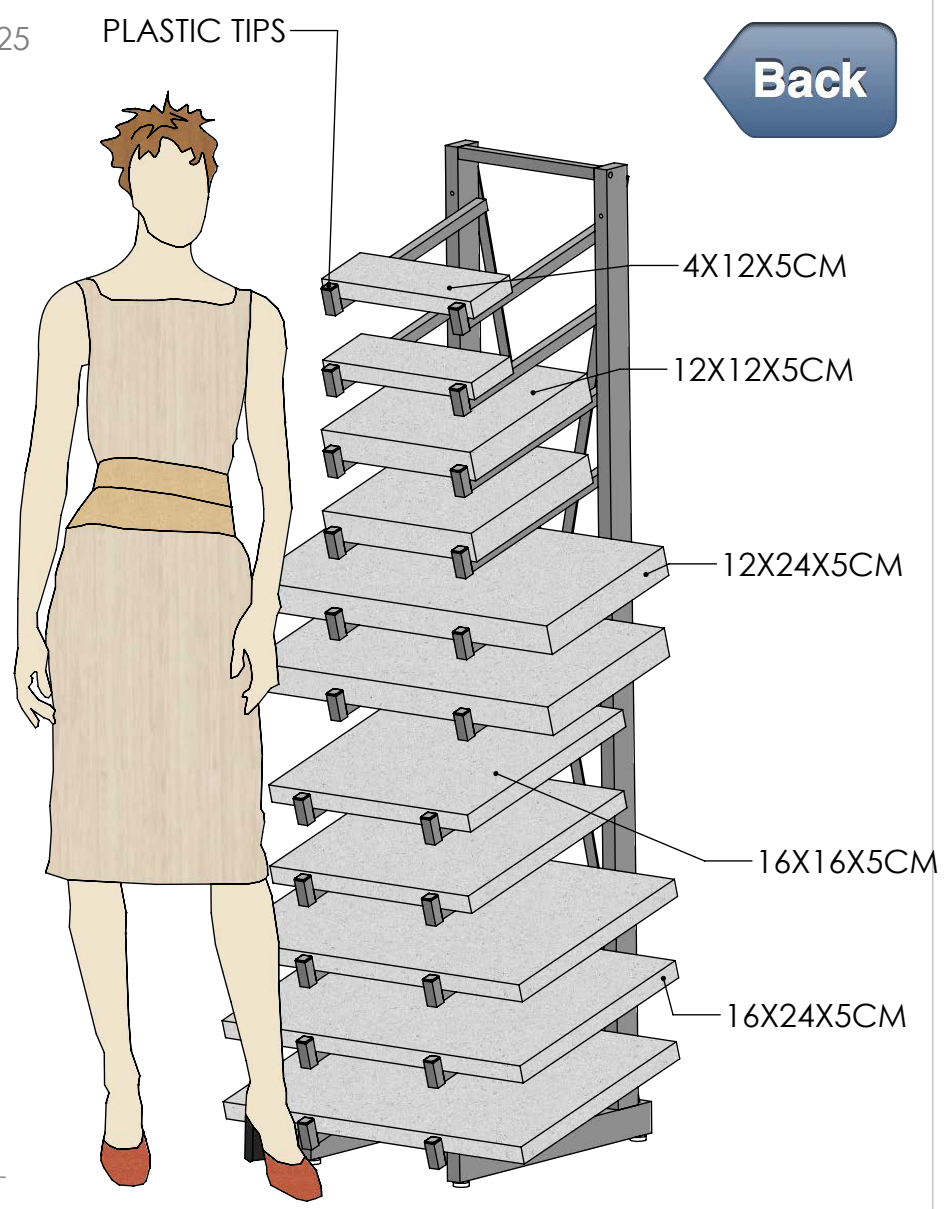
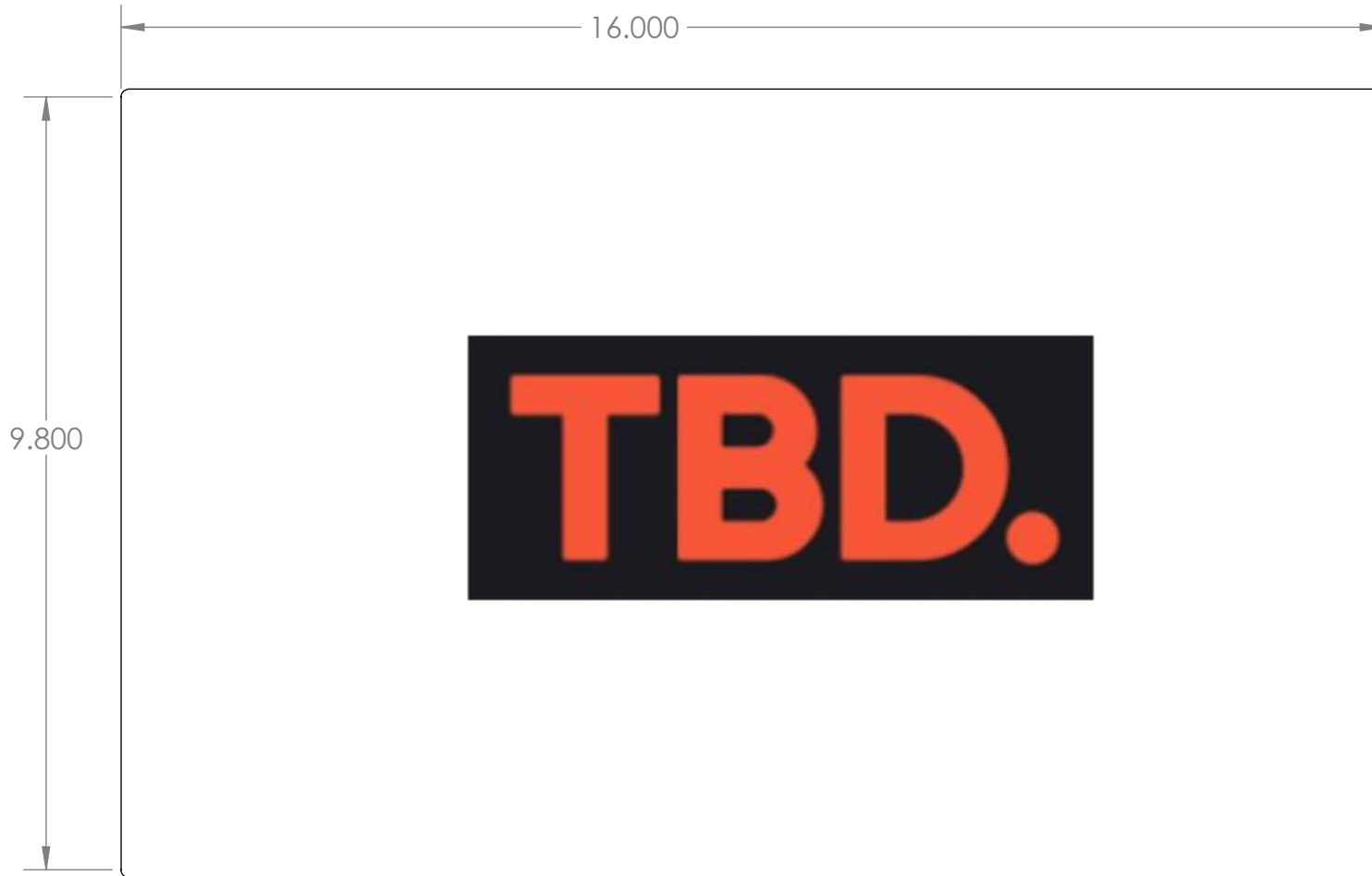


**ALL WELDED STEEL CONSTRUCTION  
INCLUDES STRUCTURAL "X" BRACE IN BACK  
BLACK TEXTURED POWDERCOAT FINISH**

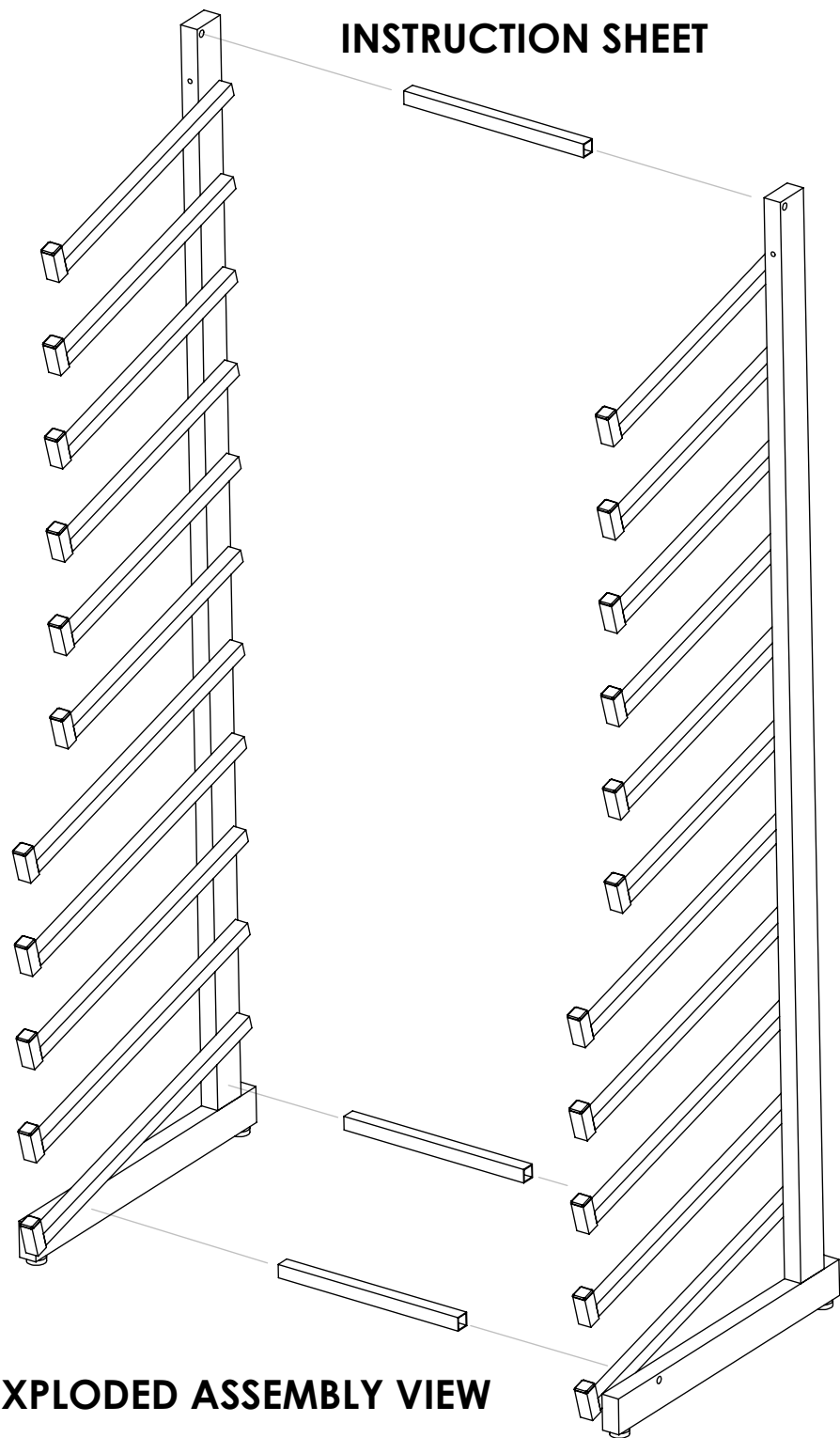


ARMS ARE 3/4" SQUARE TUBING

DIRECT TO SUBSTRATE PRINTED

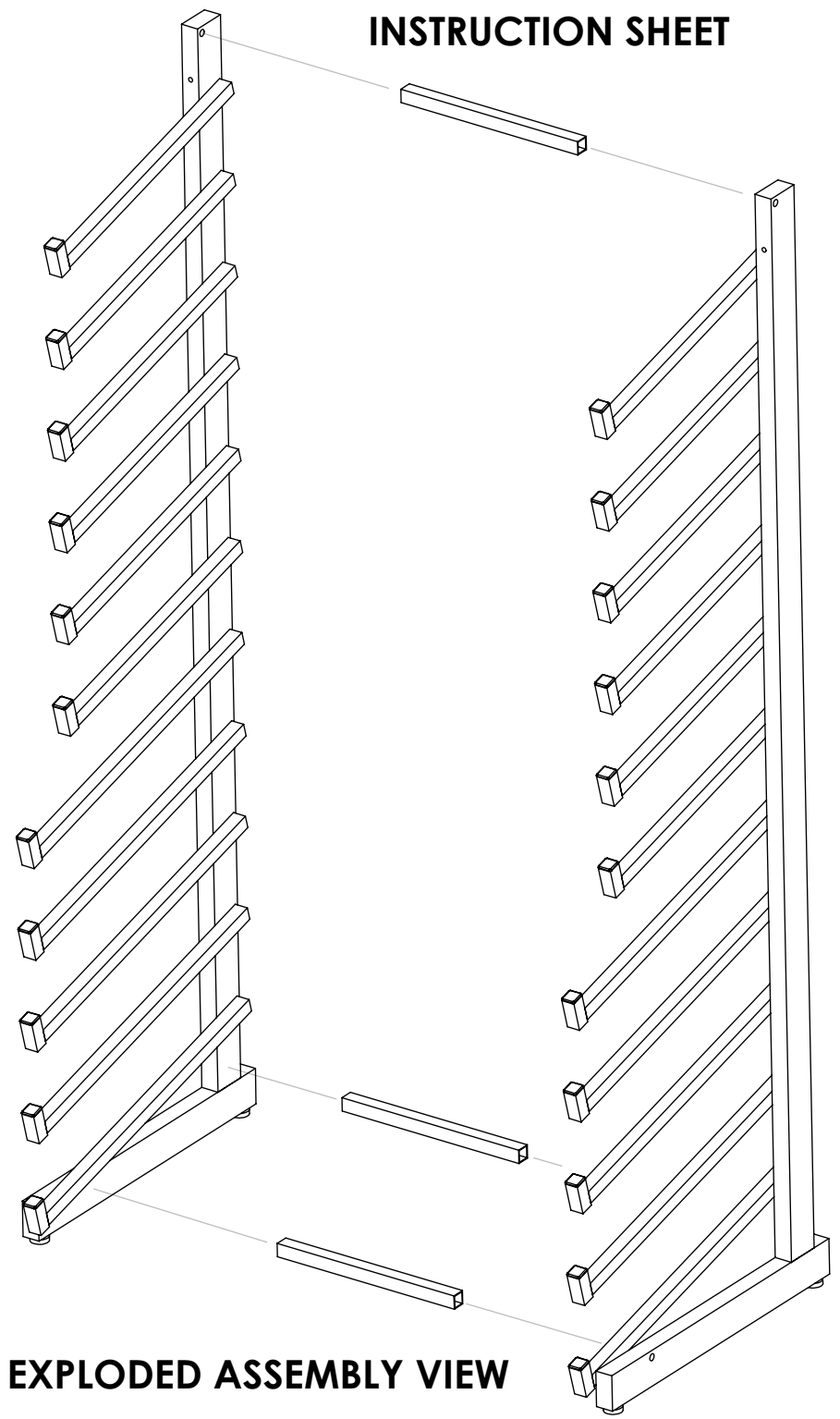


**INSTRUCTION SHEET**



**EXPLODED ASSEMBLY VIEW**

**INSTRUCTION SHEET**



**EXPLODED ASSEMBLY VIEW**