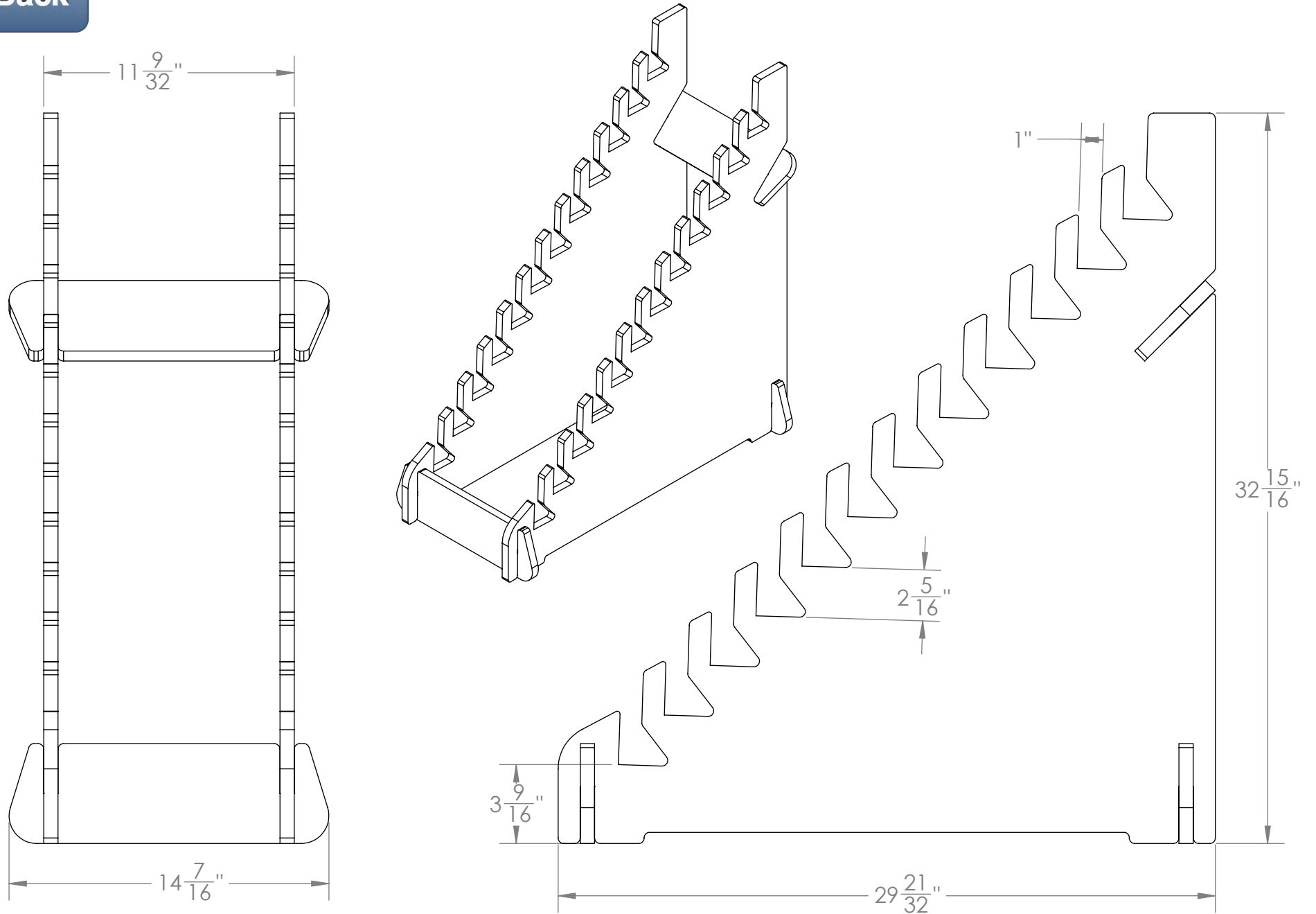


Back



DESC.: WF12 FLIP SLOT, LW

PART#: WF12

DATE: 1-28-19

SHEET 1 OF 1