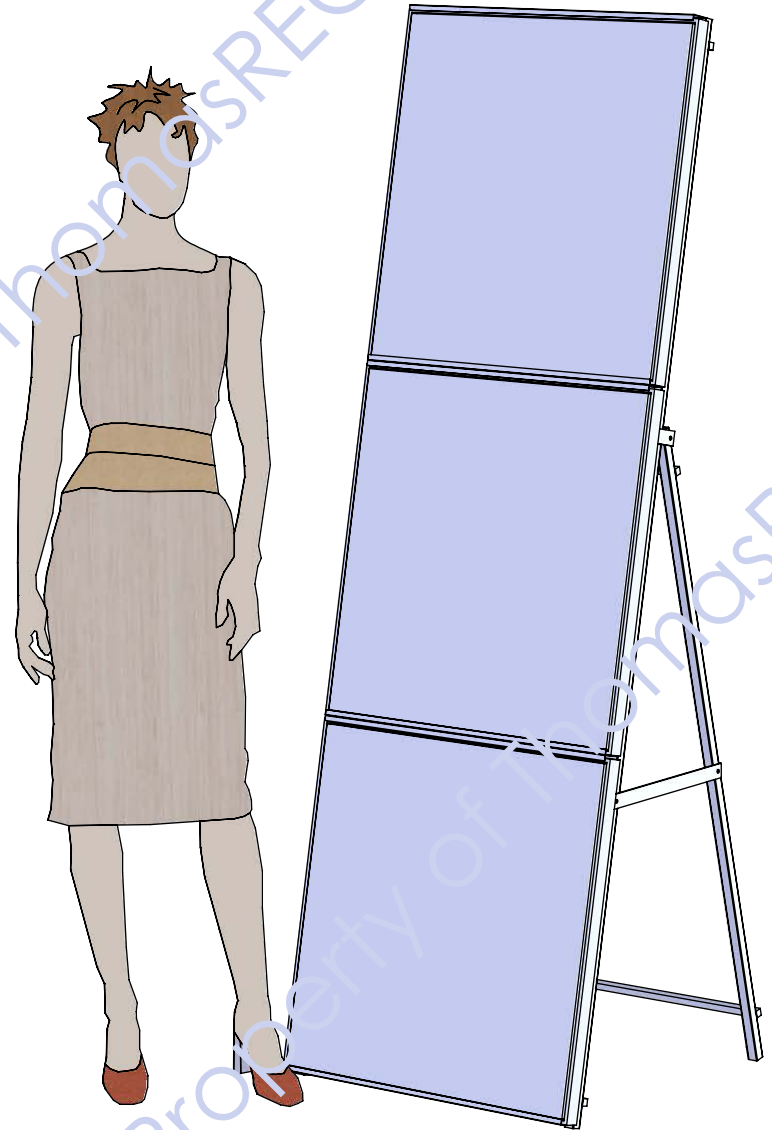
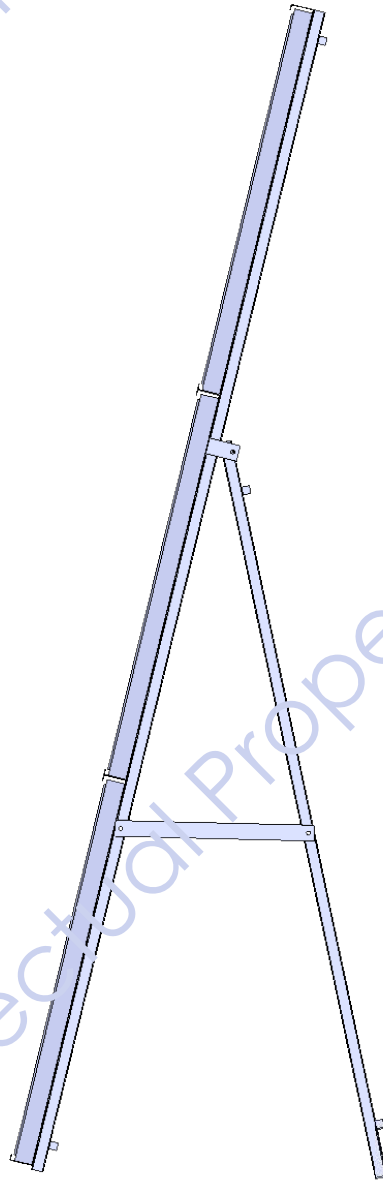
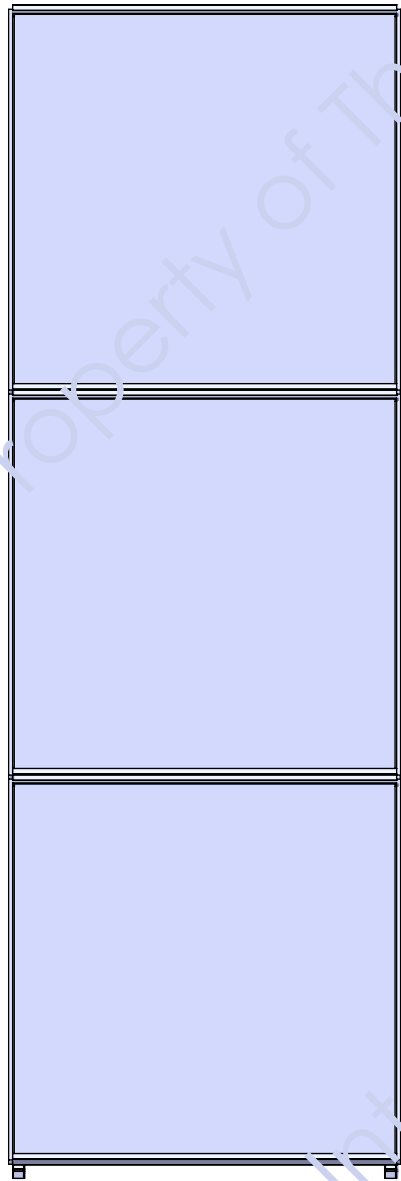


Back

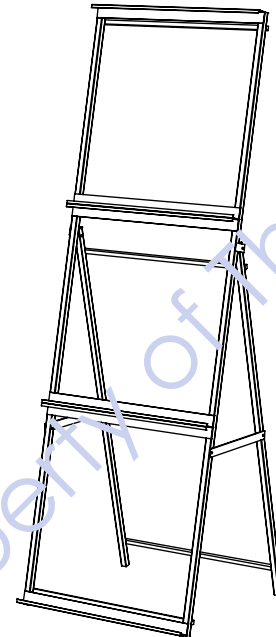
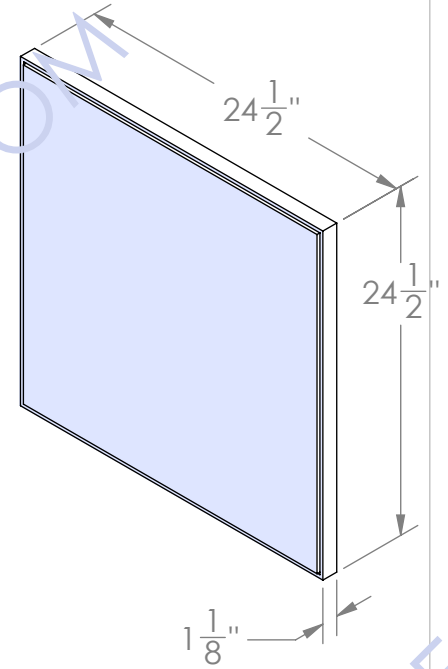
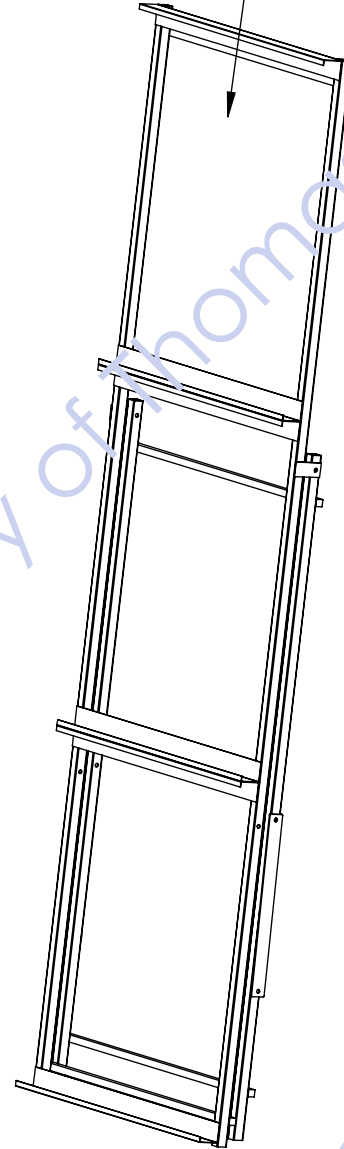
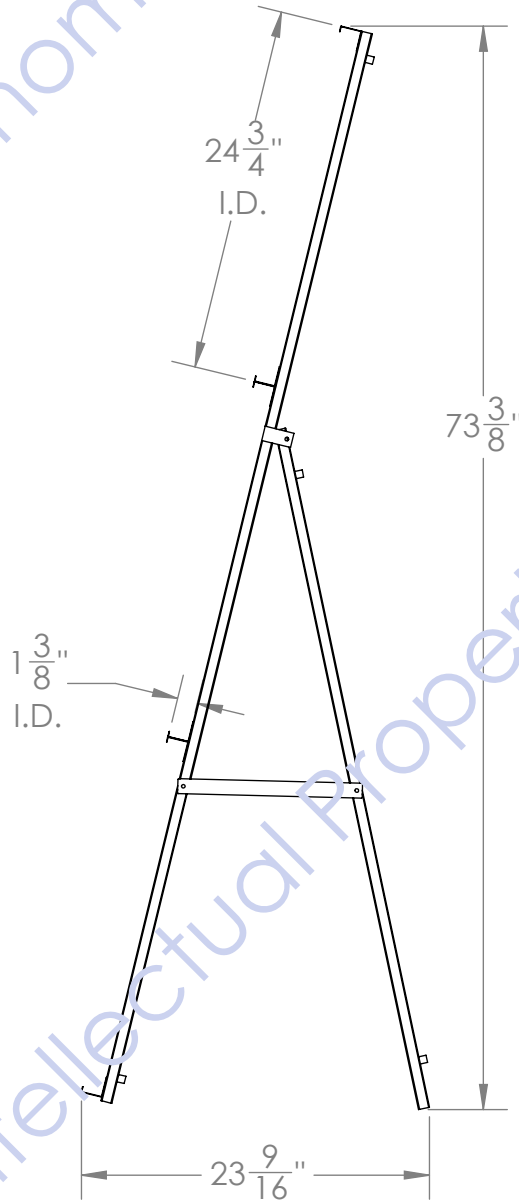
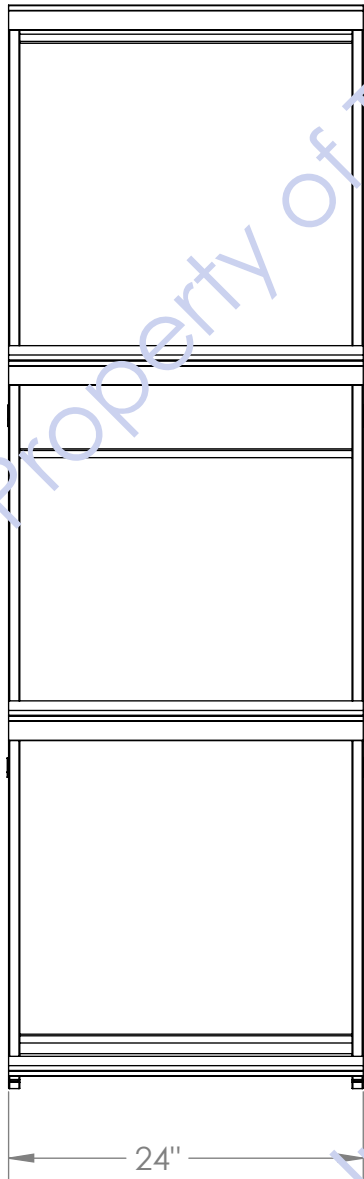
POWDERCOAT WHITE



ALL STEEL CONSTRUCTION
POWDERCOAT WHITE

POWDERCOAT WHITE

FOLDS FLAT



$1\frac{3}{8}"$
 $1\frac{3}{8}"$

DETAIL D
SCALE 1 : 2

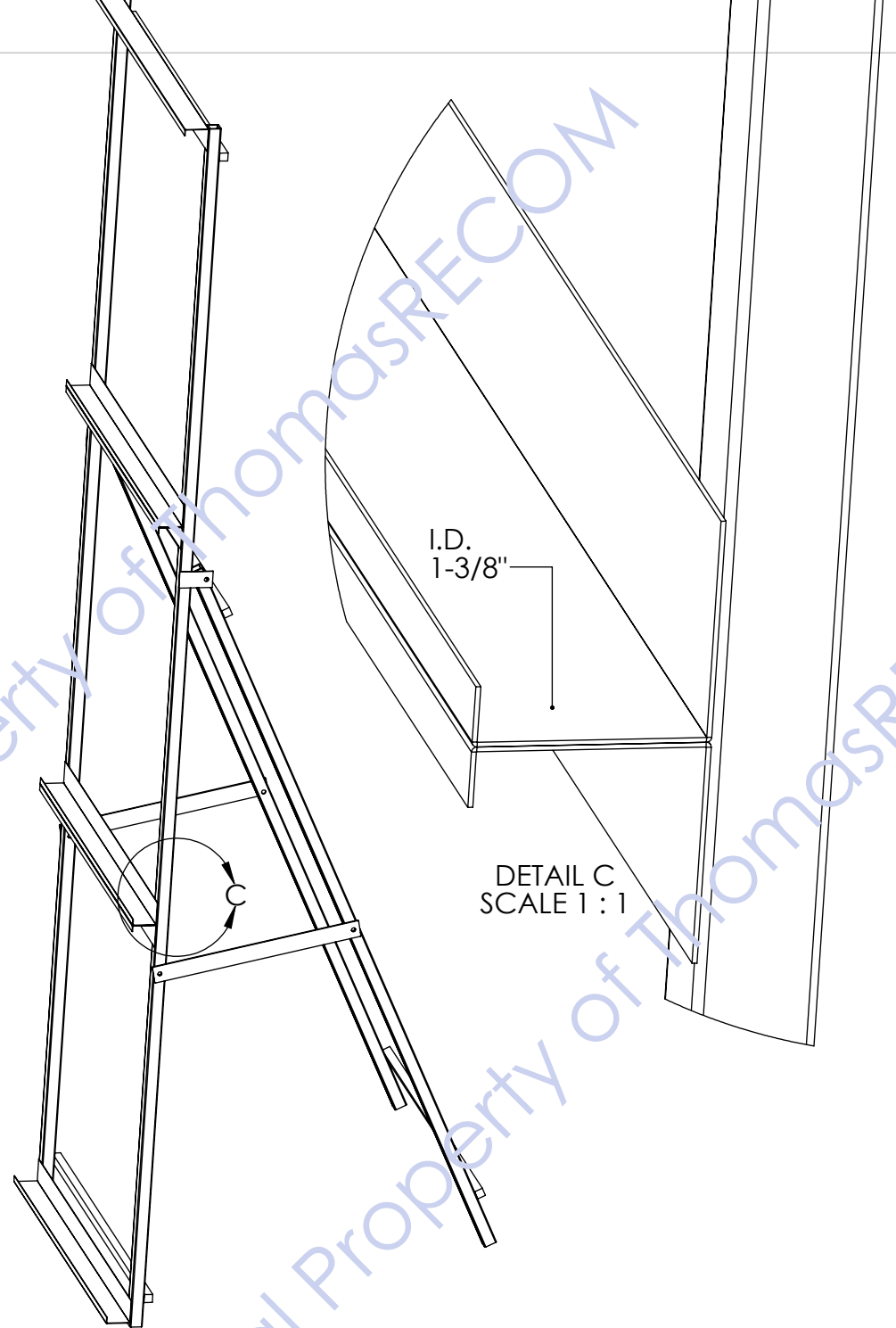
$1\frac{3}{8}"$
I.D.

$24\frac{3}{4}"$
I.D.

$73\frac{3}{8}"$

$23\frac{9}{16}"$

POWDERCOAT WHITE



I.D.
 $1\frac{3}{8}"$

DETAIL C
SCALE 1 : 1