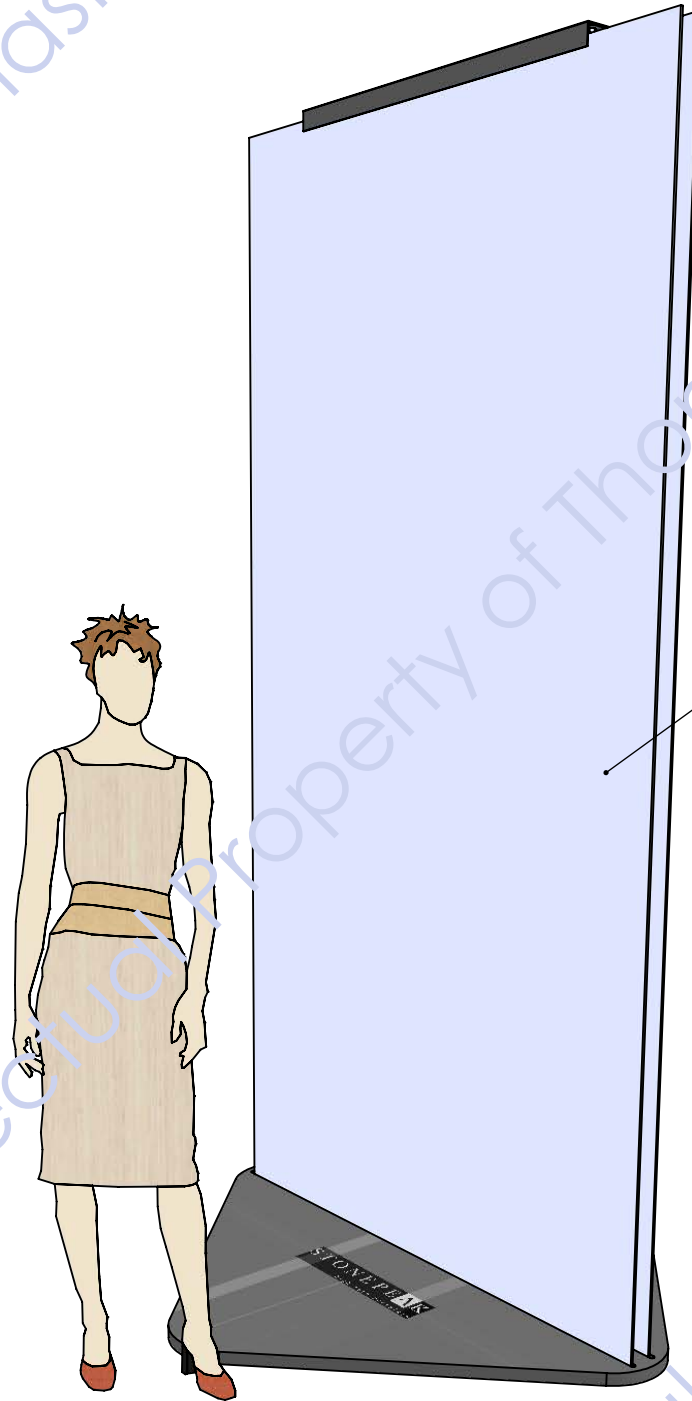
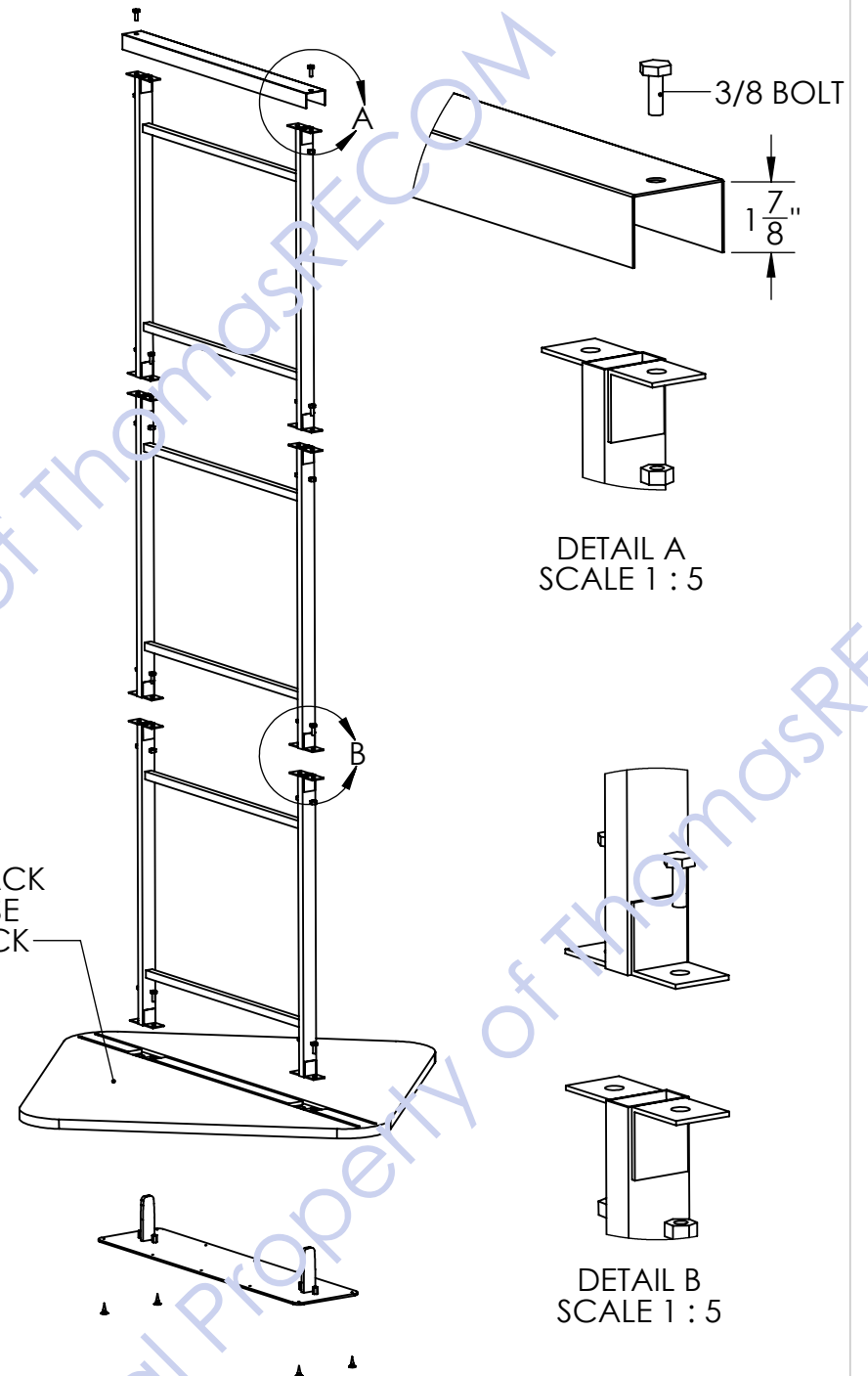
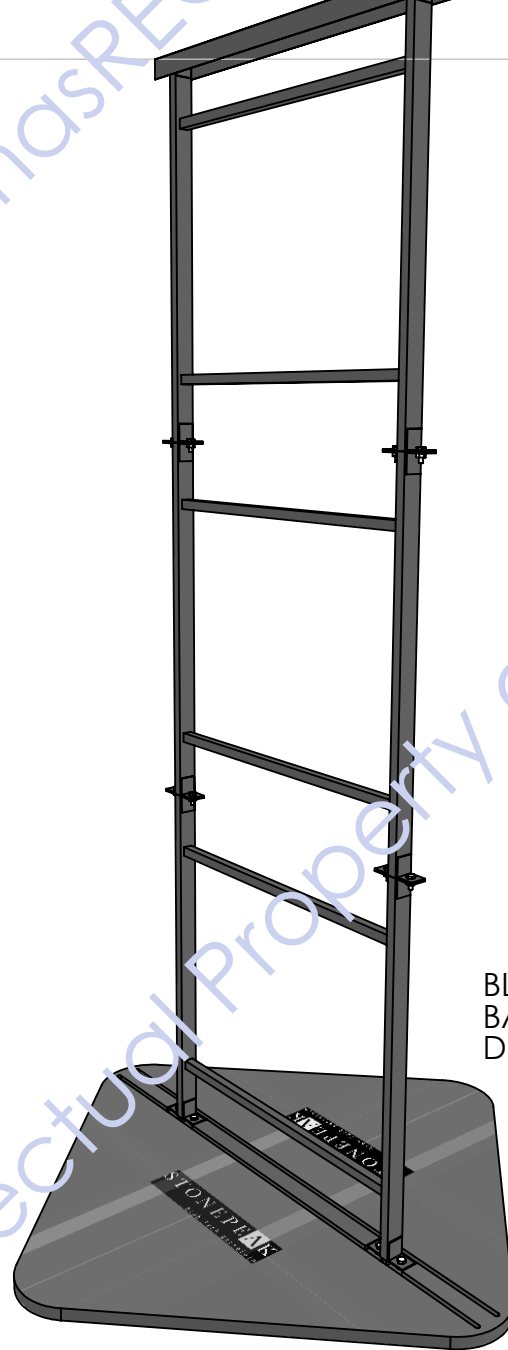
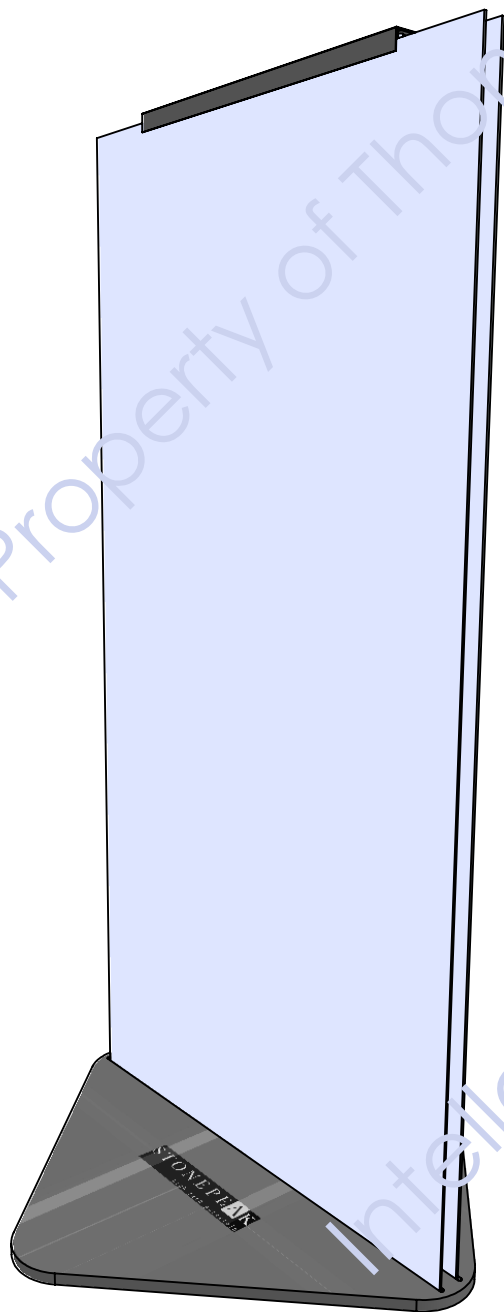
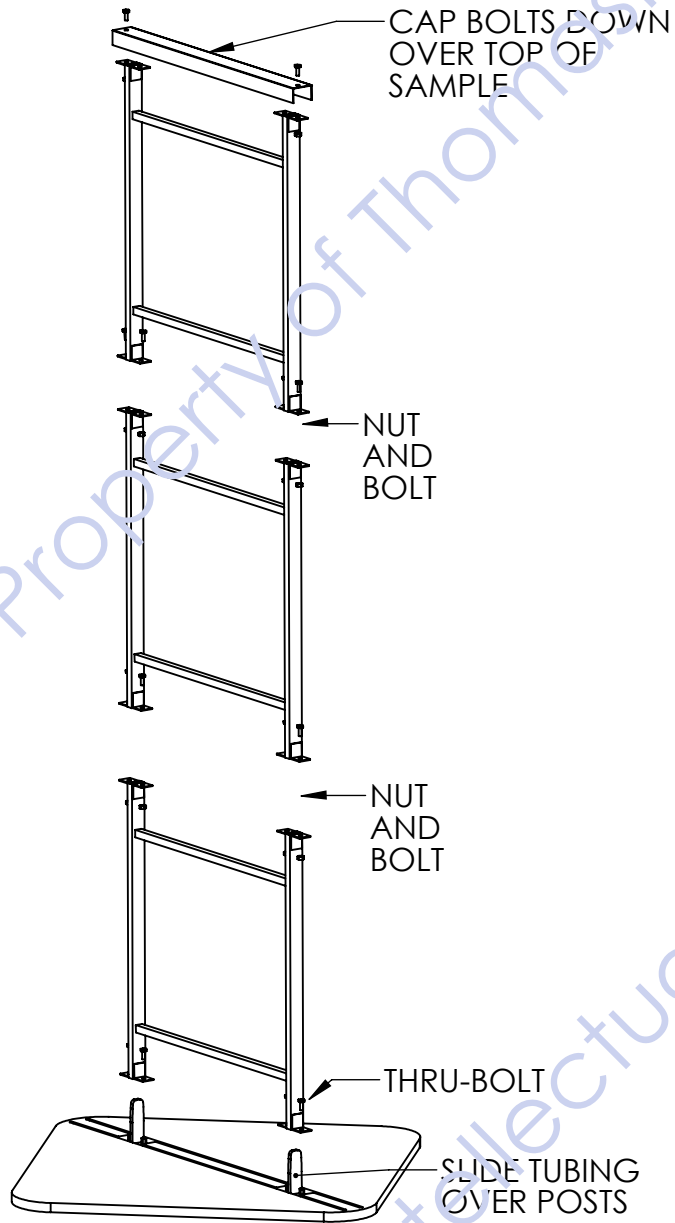


Back

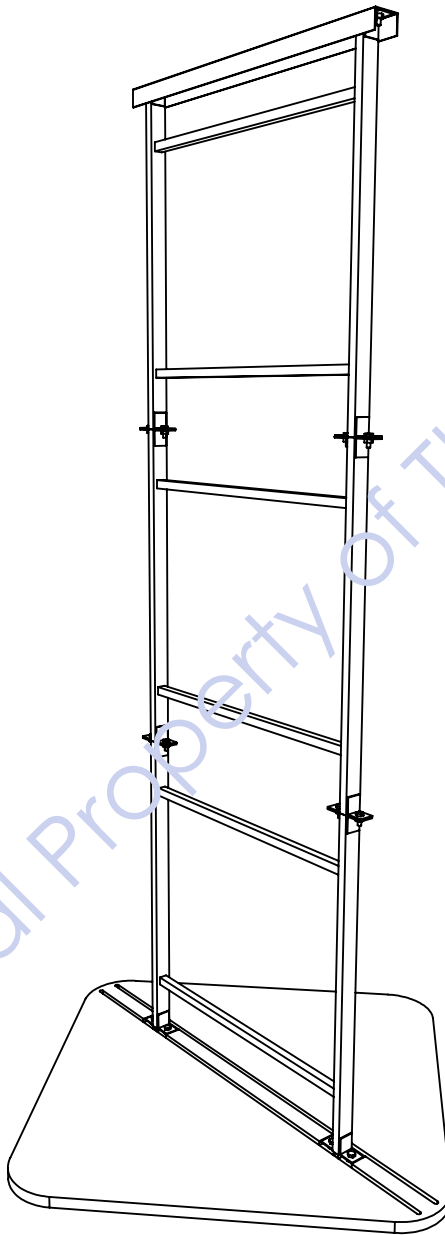


5' WIDE X 10' TALL SAMPLES

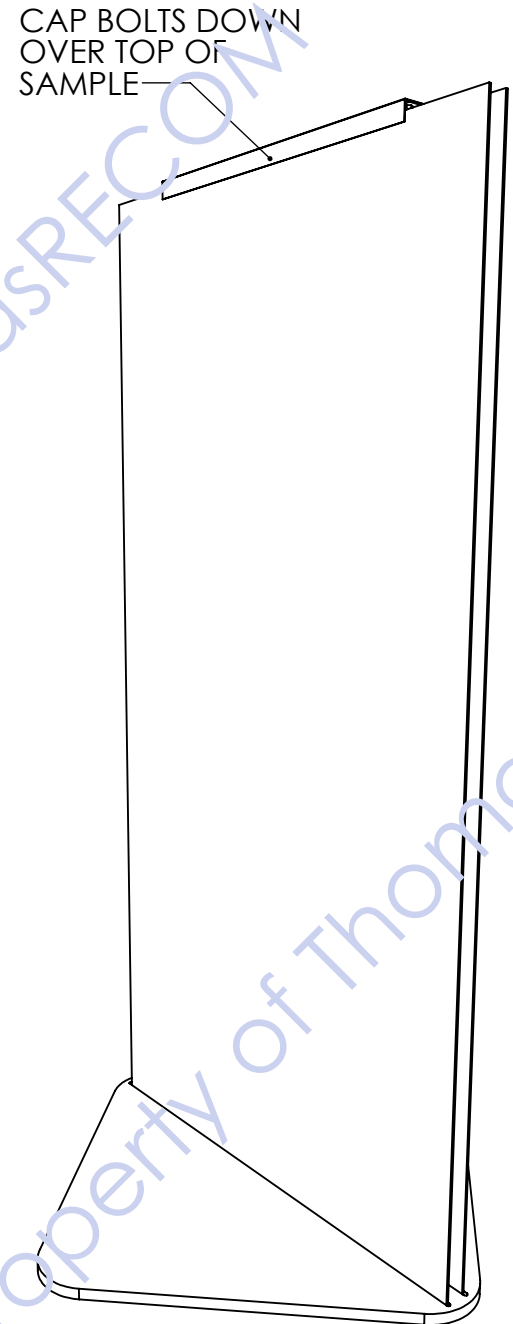




EXPLODED VIEW
FOR ASSEMBLY
INSTRUCTION

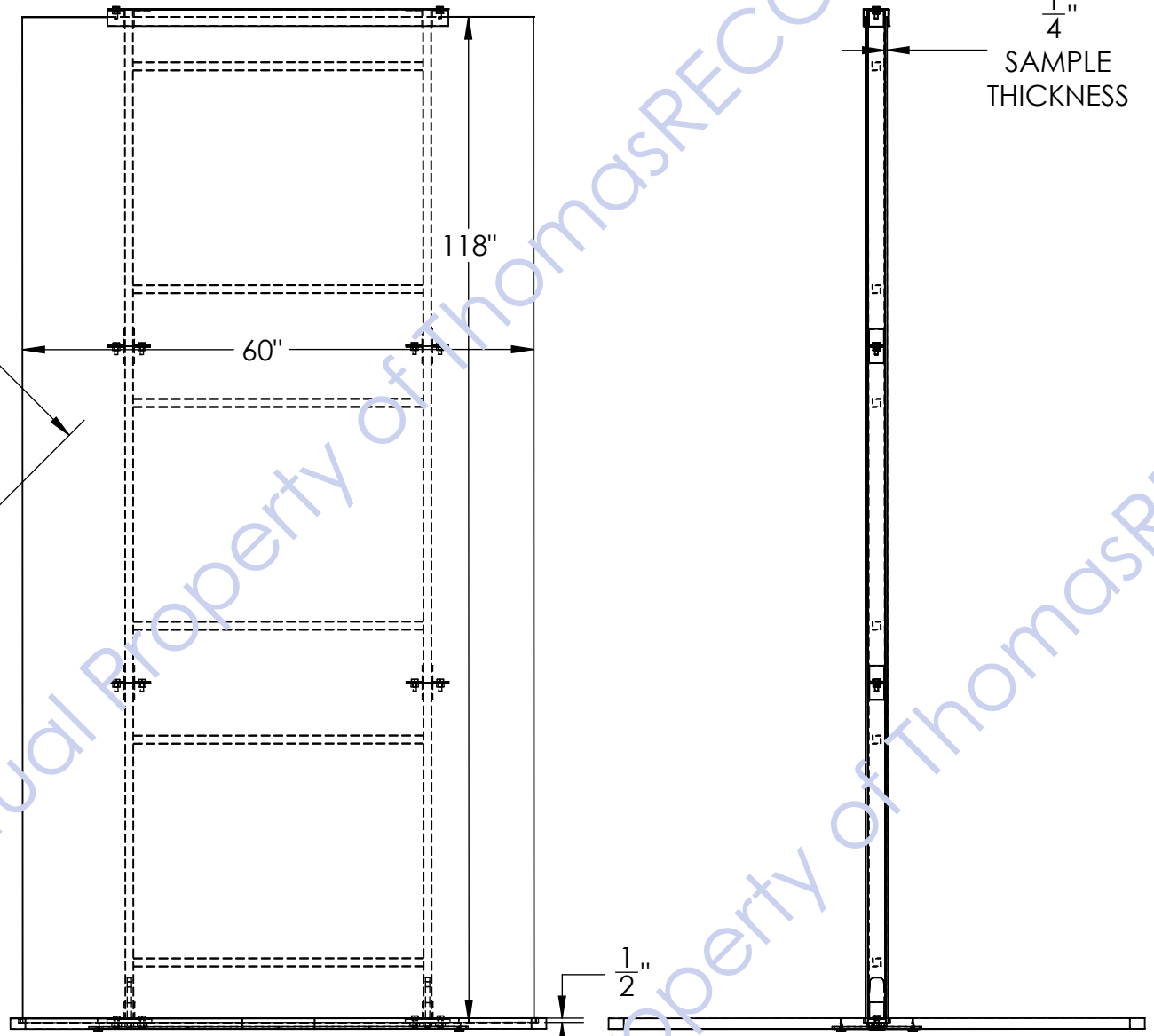
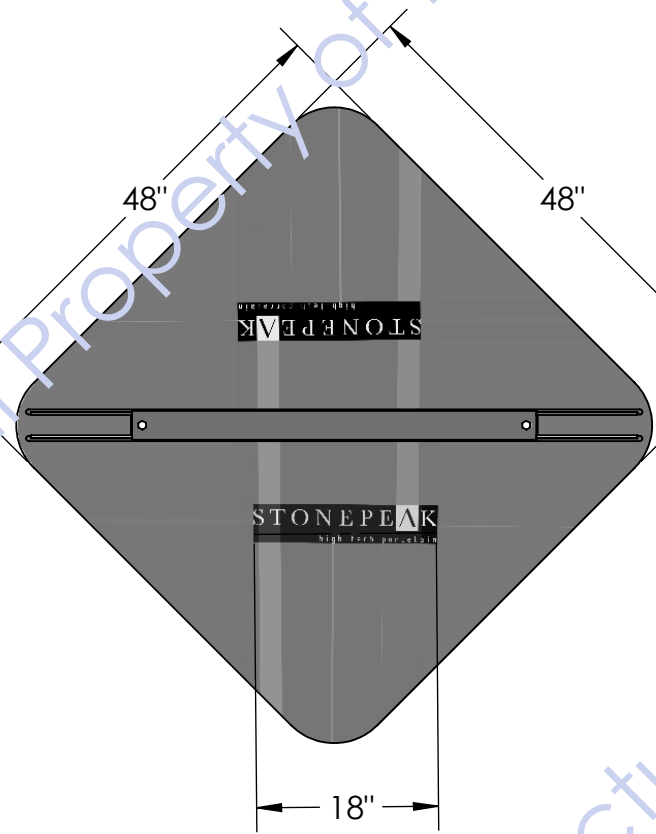


ASSEMBLED

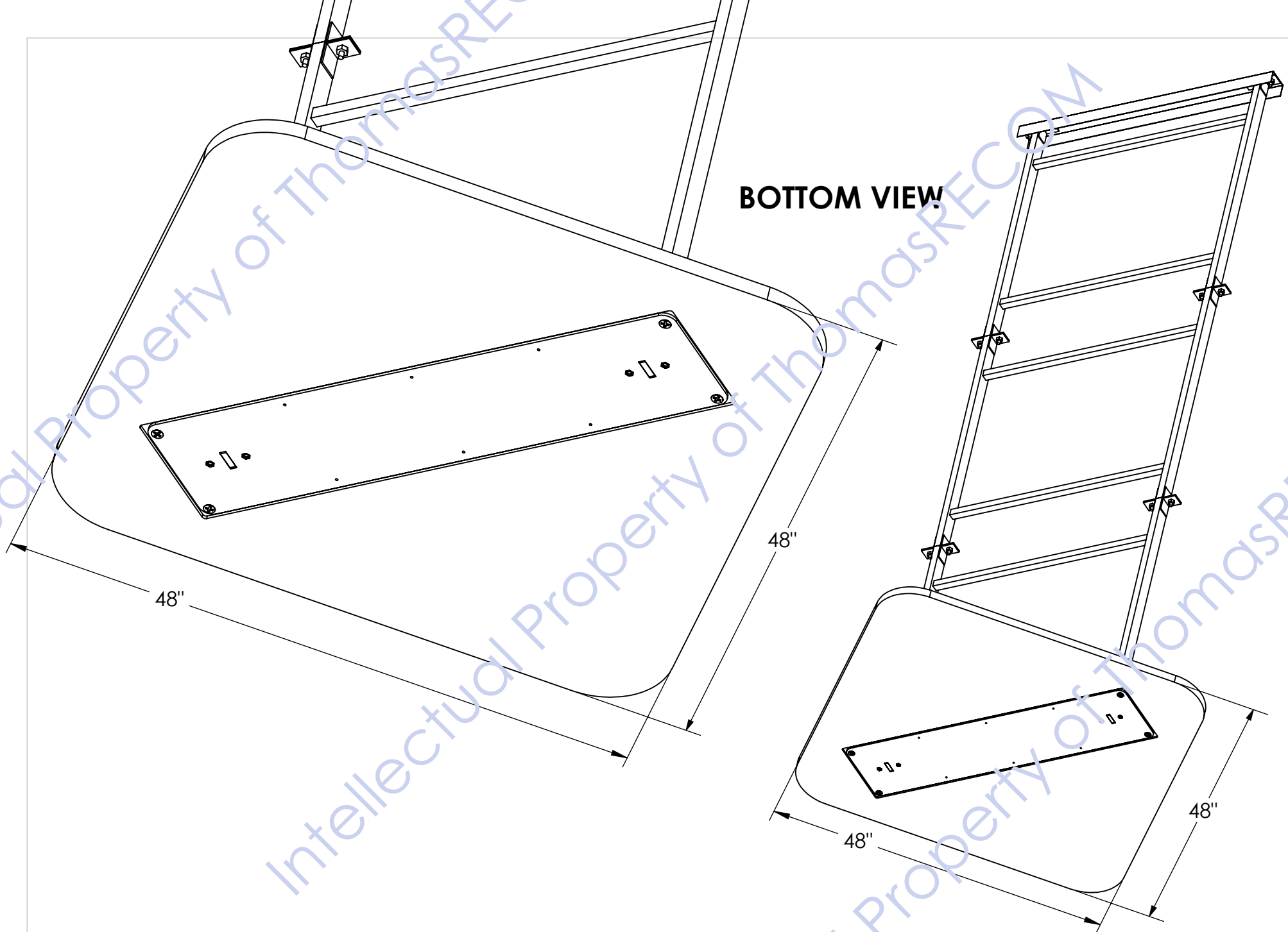


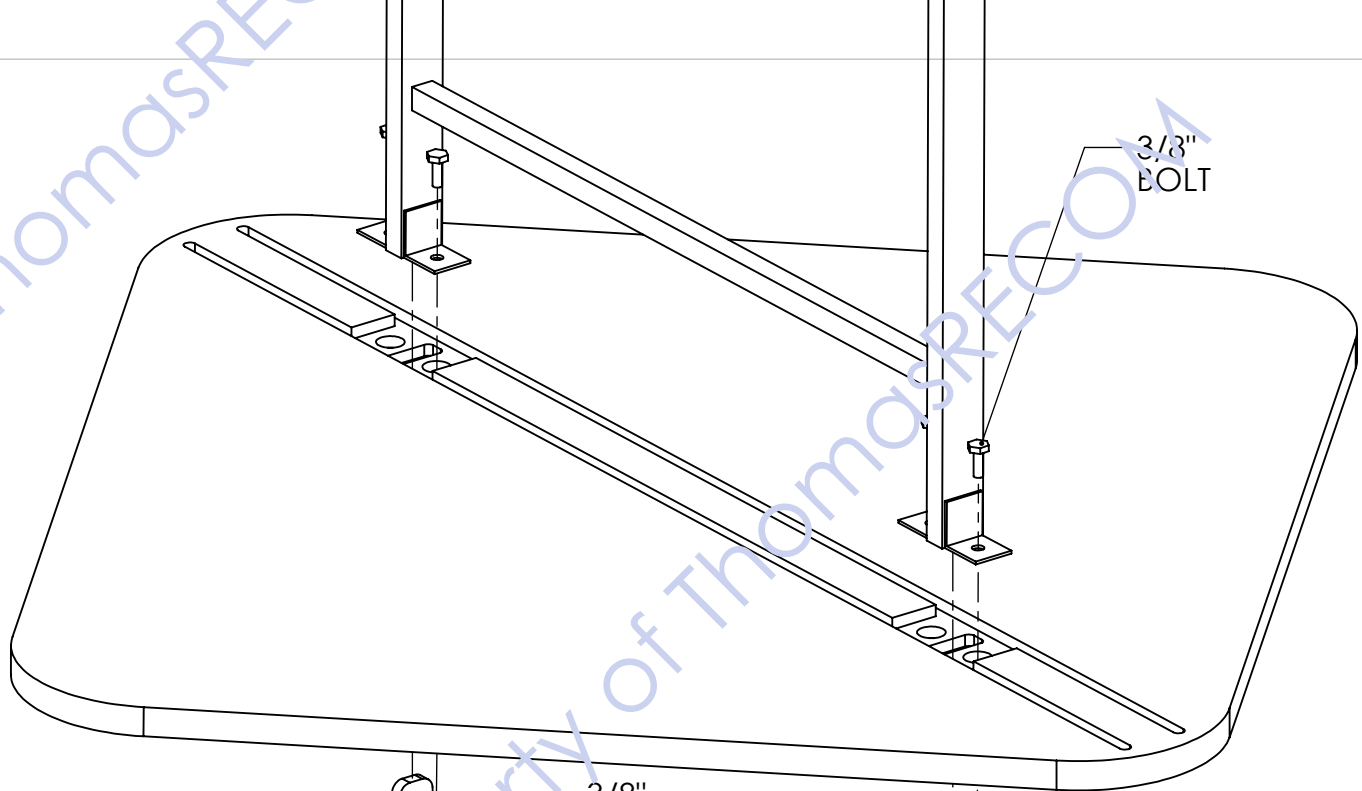
WITH SAMPLE INSTALLED

VIEW WITH SAMPLE INSTALLED



BOTTOM VIEW





3/8"
BOLT

COUNTERSINK FOR
FLATHEAD SCREWS

3/8"
BARREL/COUPLING NUT
FROM HOME DEPOT
1-1/8" LONG

FLATHEAD
PHILLIPS
WOOD
SCREW

THESE PARTS WILL BE PROVIDED
LASER CUT

