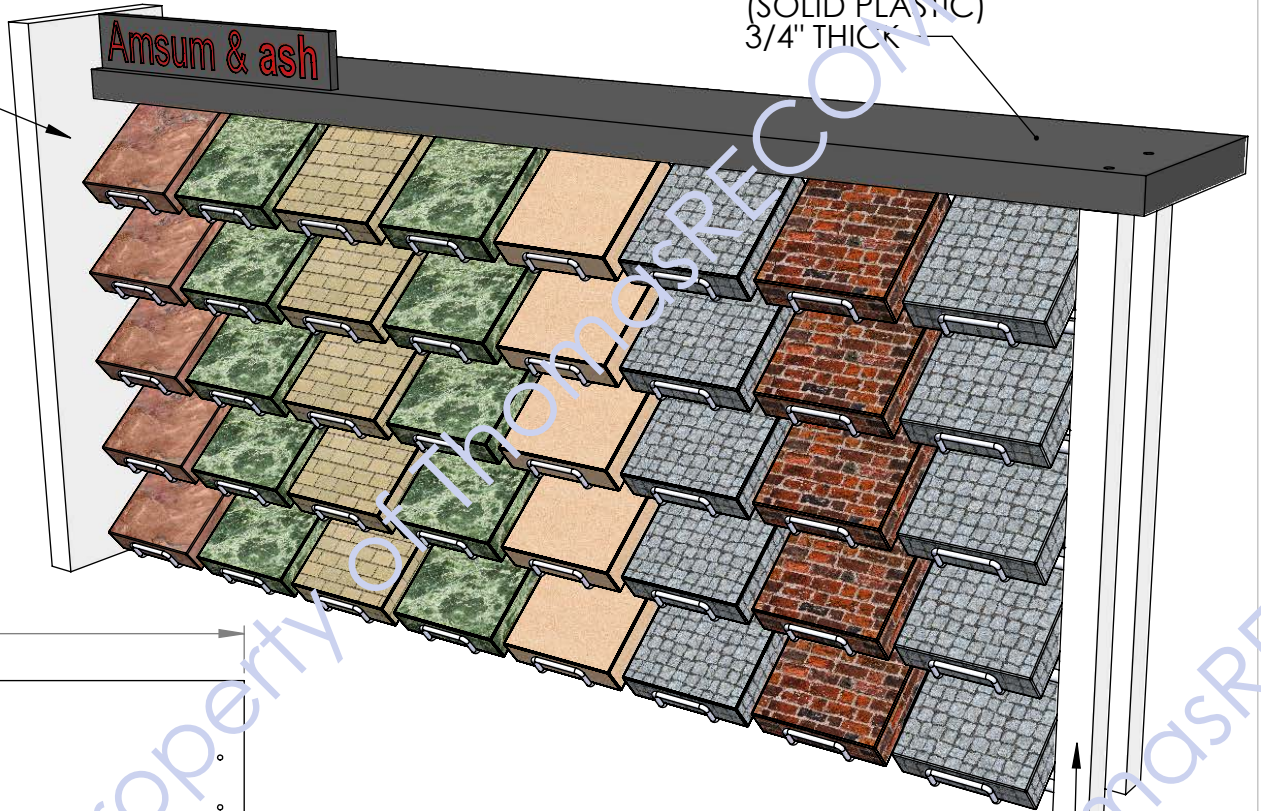
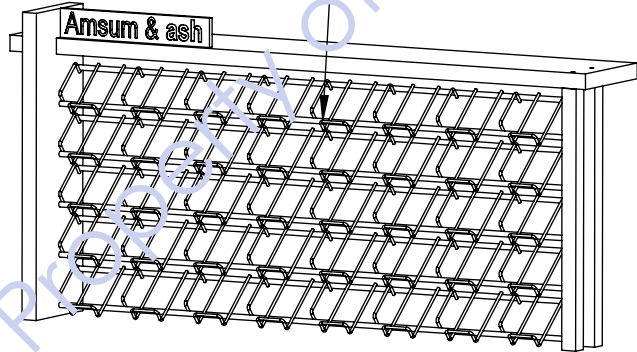


WHITE SINTRA
(SOLID PLASTIC)
3/4" THICK

BLACK SINTRA
(SOLID PLASTIC)
3/4" THICK

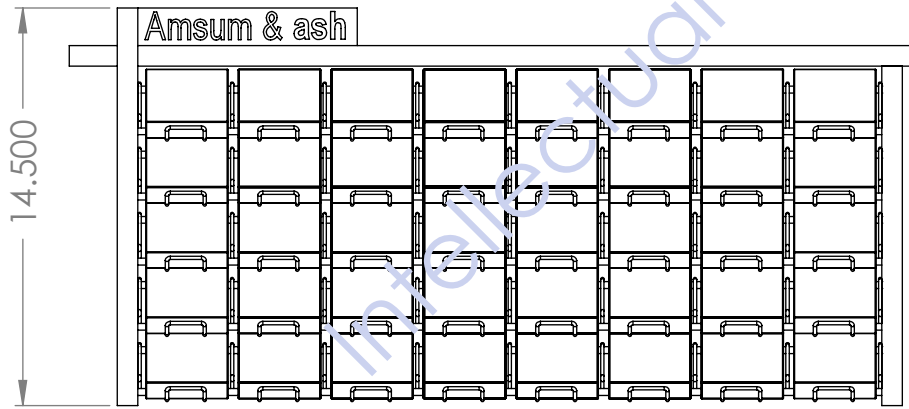
WIRE INTERNAL STRUCTURE
TO SUPPORT SLABS



30.875

6.934

WHITE SINTRA
(SOLID PLASTIC)
3/4" THICK



14.500

