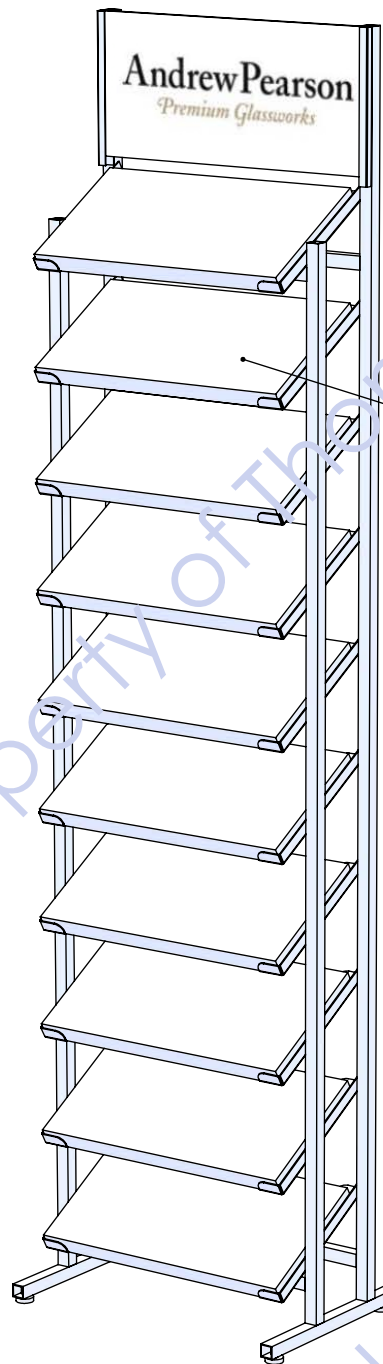
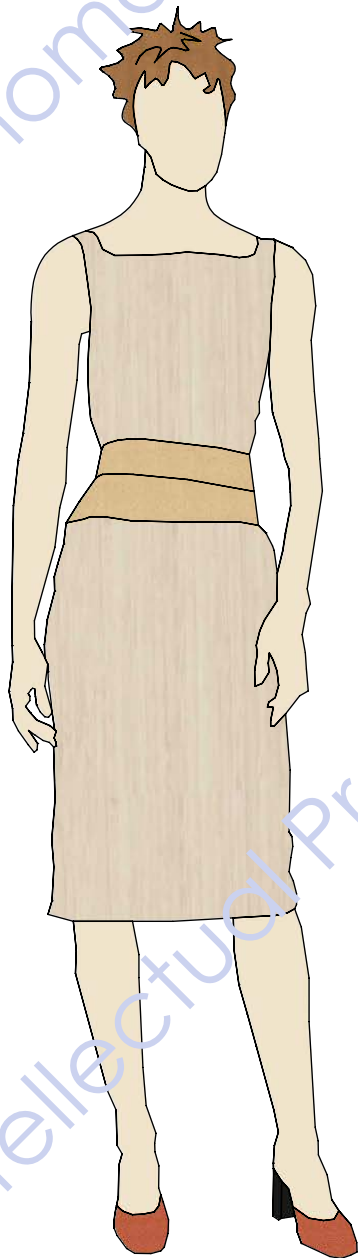
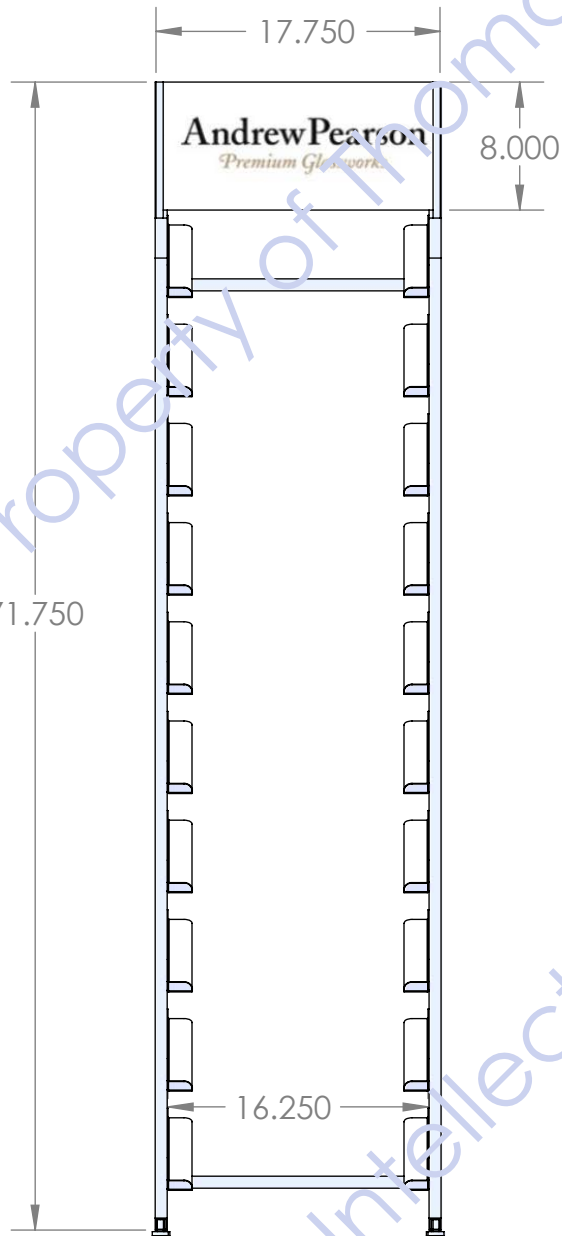


Back

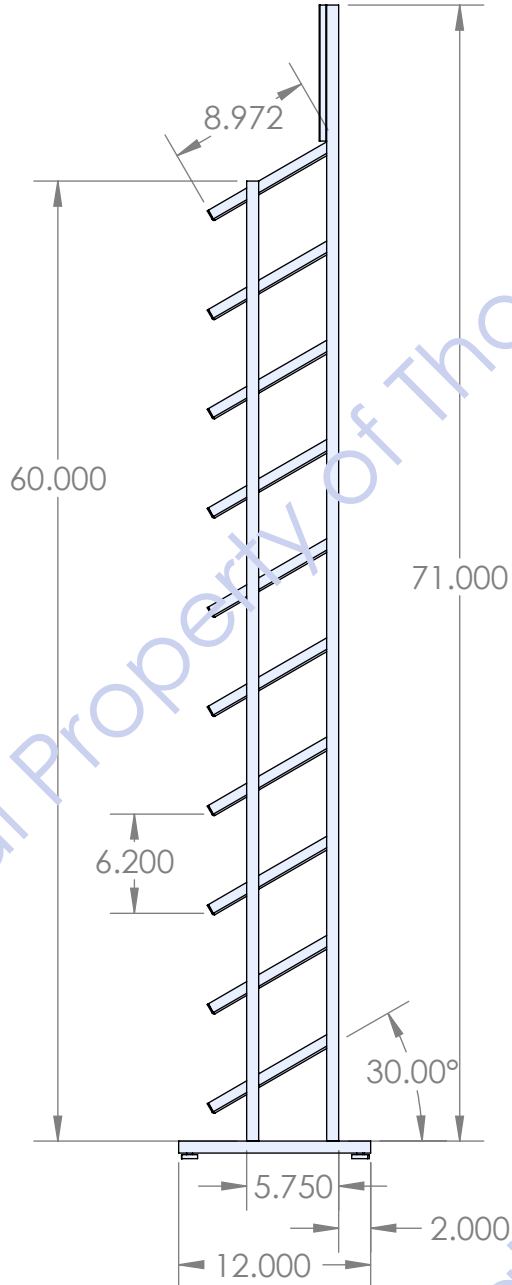


SAMPLE SIZE IS 8X16X1

ALL WHITE DISPLAY



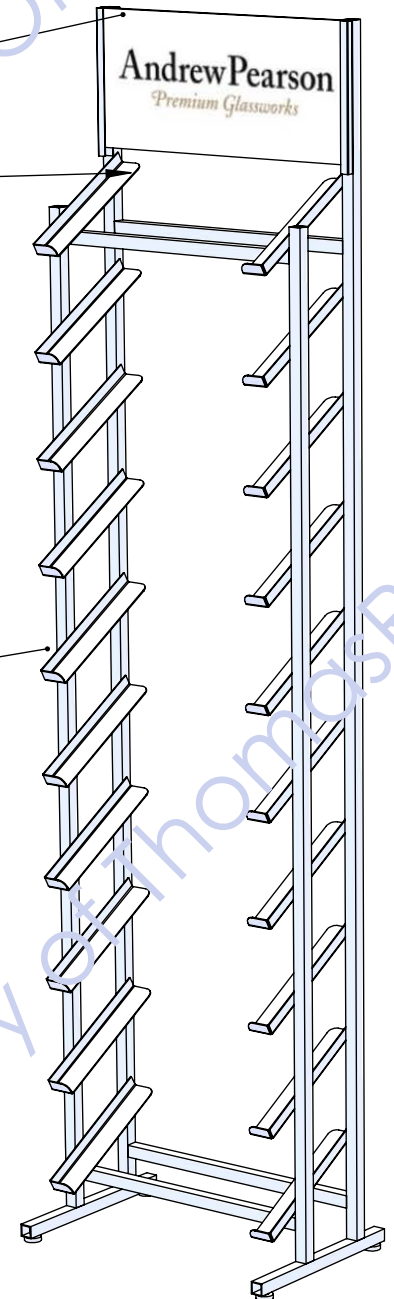
TO DISPLAY
8X16X1" SAMPLES

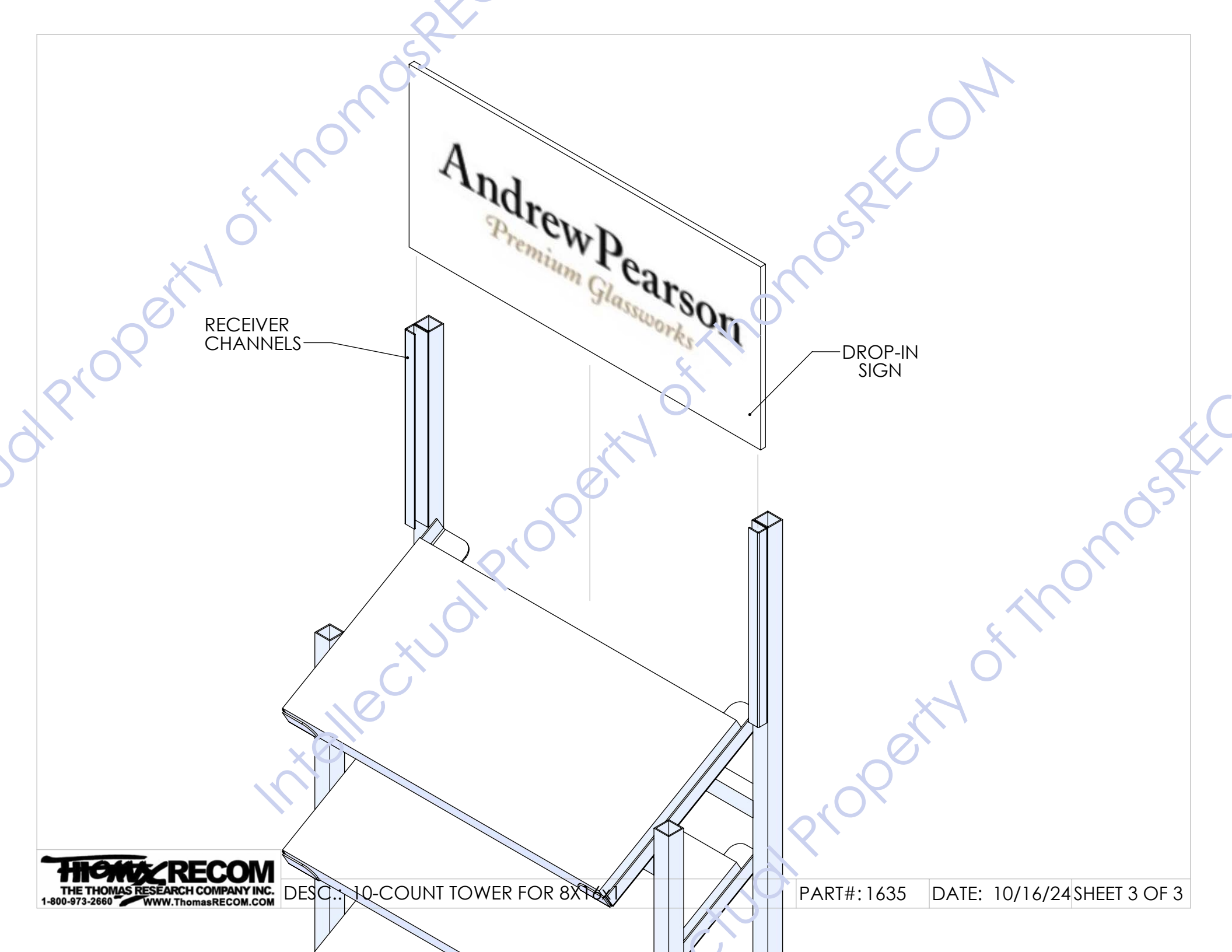


APPLY DECAL

SHEET METAL
SHELVES

STEEL TUBE
STRUCTURE
(3/4")





RECEIVER CHANNELS

DROP-IN SIGN

Andrew Pearson
Premium Glassworks