

Back

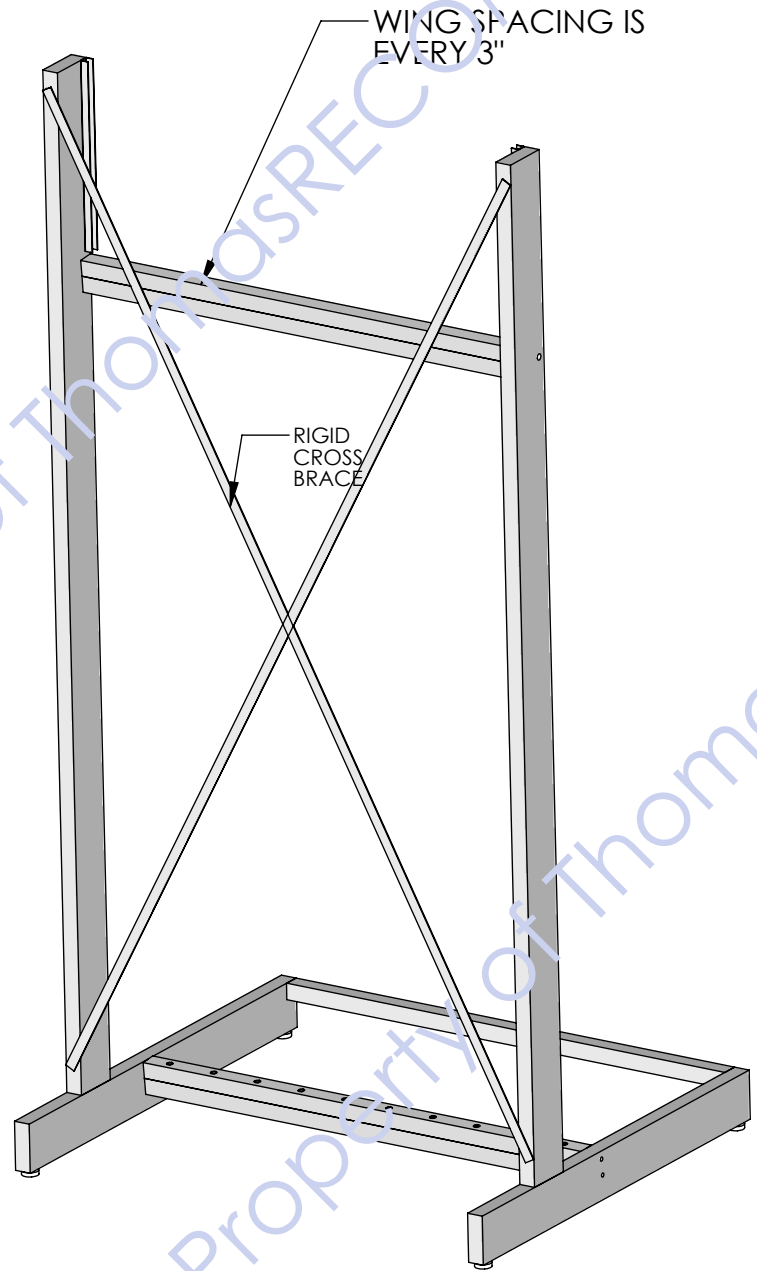
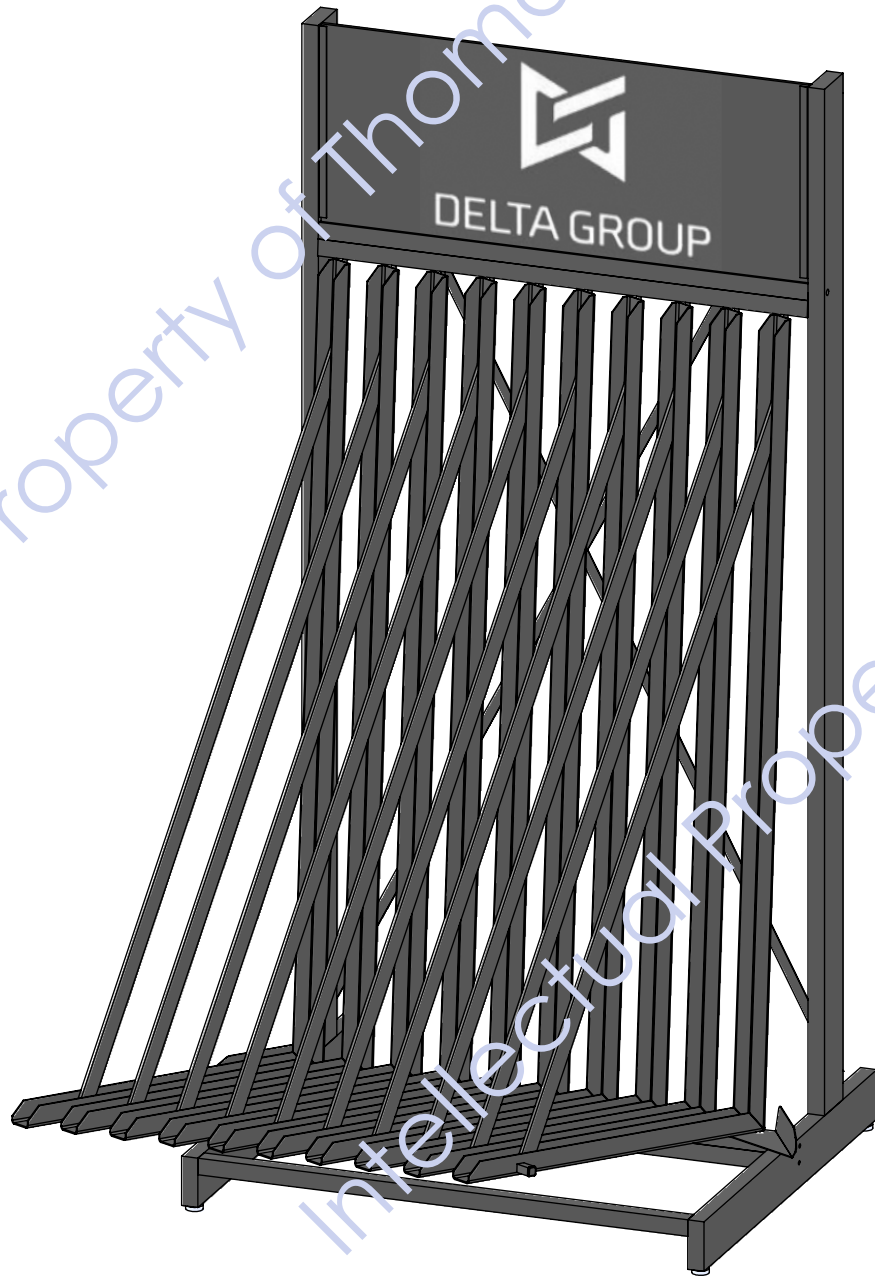


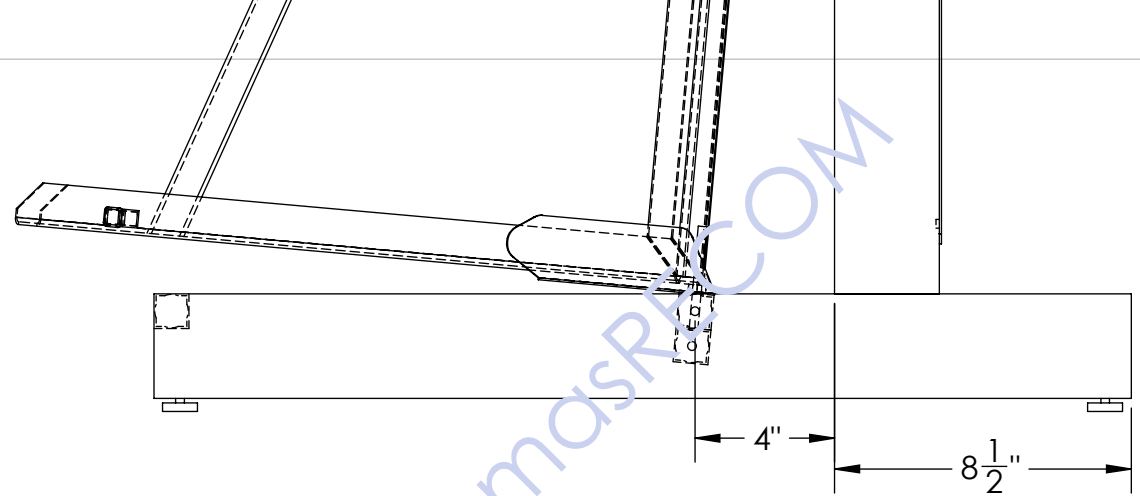
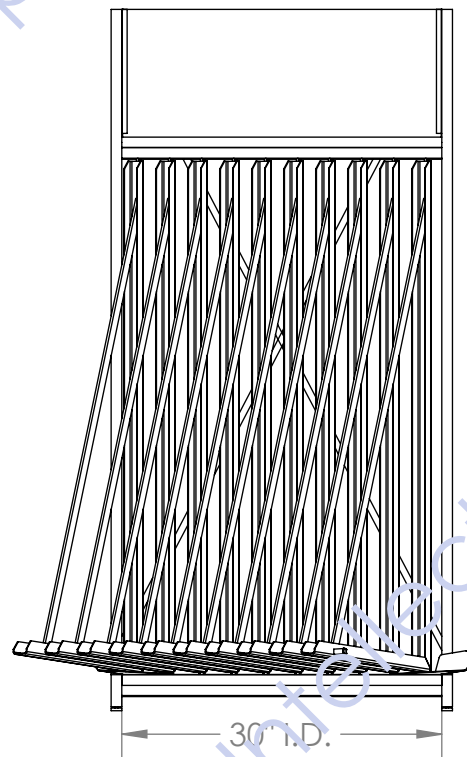
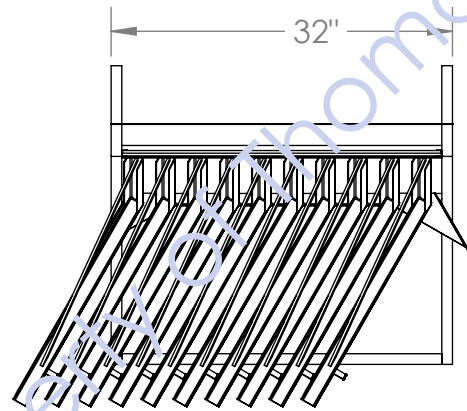
HEADER SIGN 12" TALL X 29-7/8" WIDE

**MUST INCLUDE LOOSE WING STOPS LEFT AND RIGHT**

**MUST INCLUDE PLASTIC TIP SPACERS ON EACH WING**

**ACCOMODATES SAMPLES THAT ARE 24 X 48 X 1CM THICK**





5 DEGREE  
"LEAN BACK"  
SHOWN HERE

