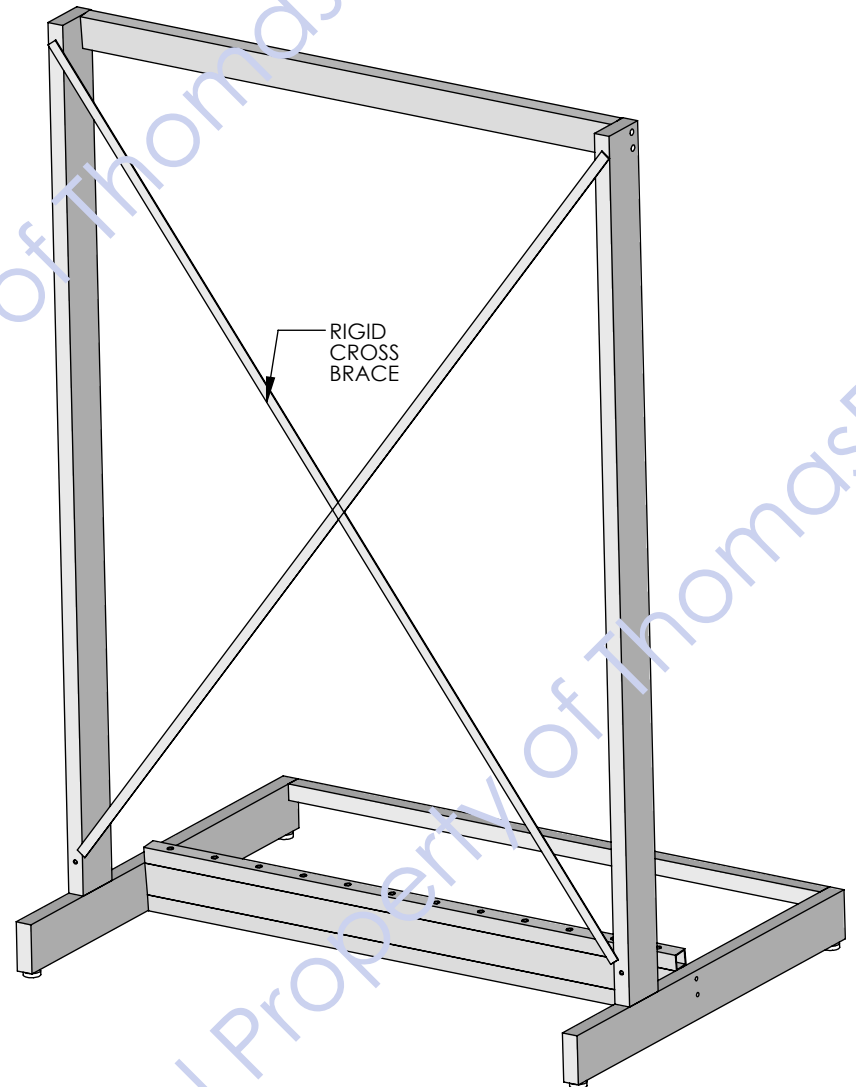
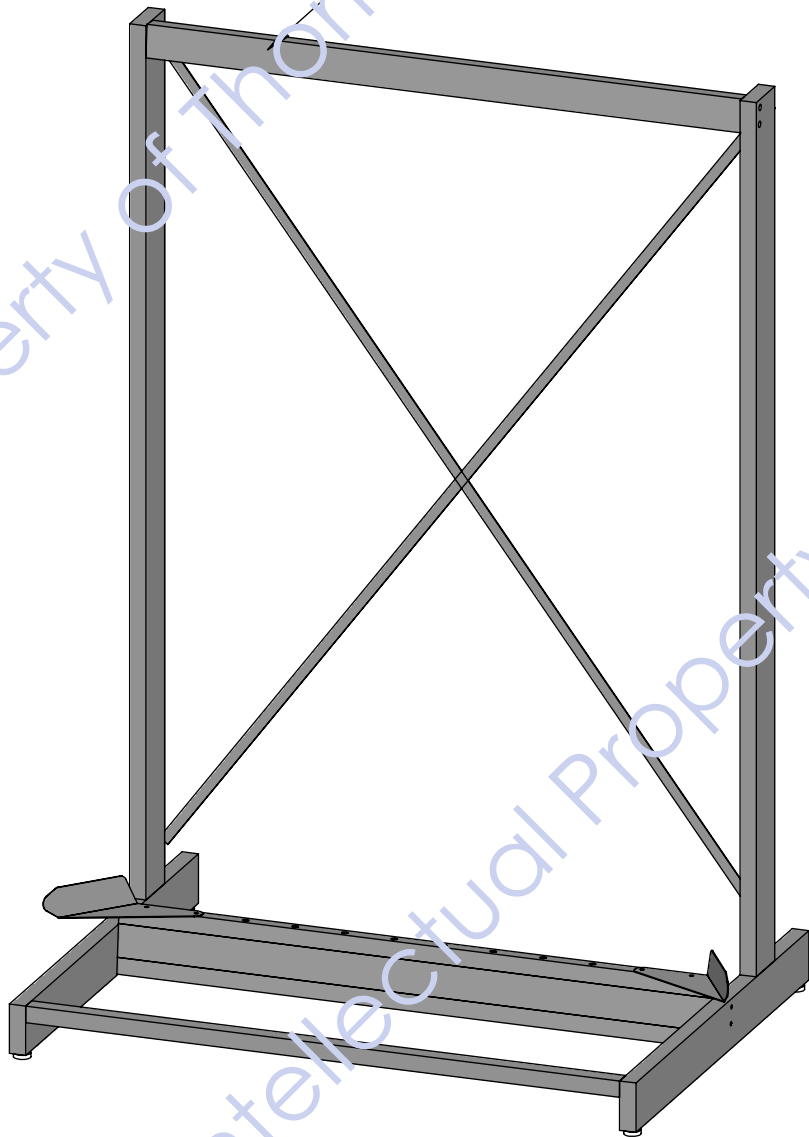
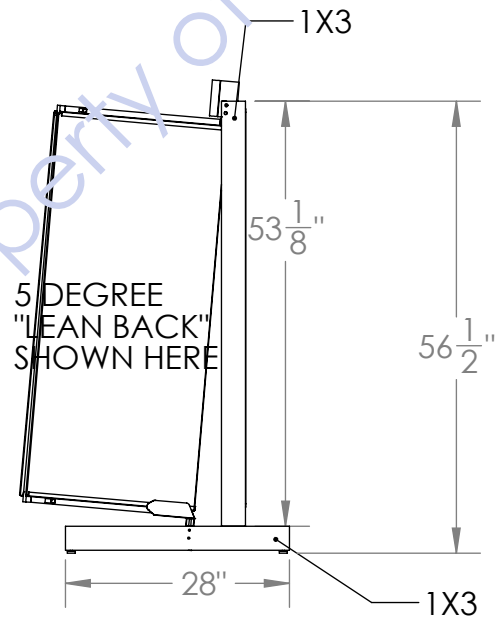
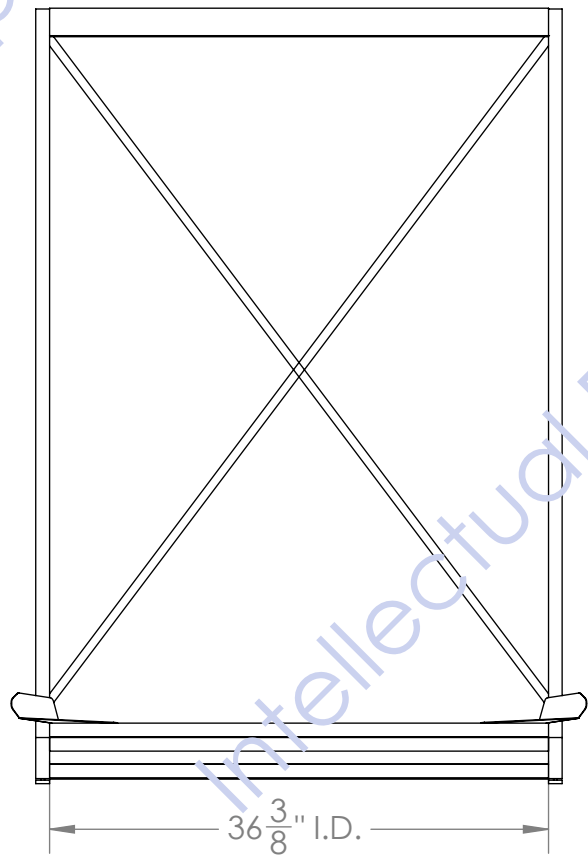
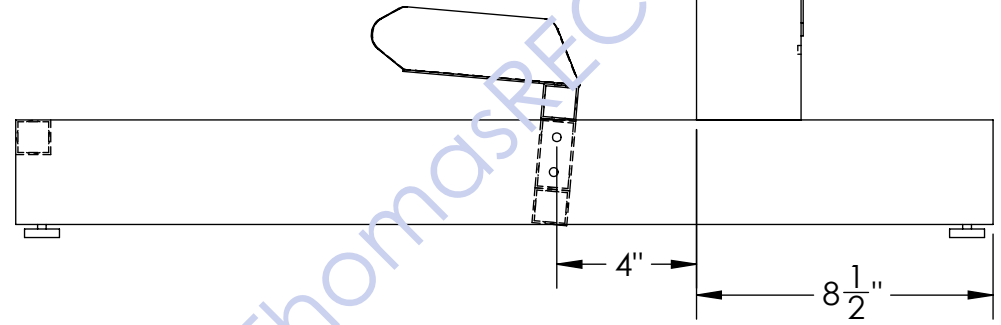
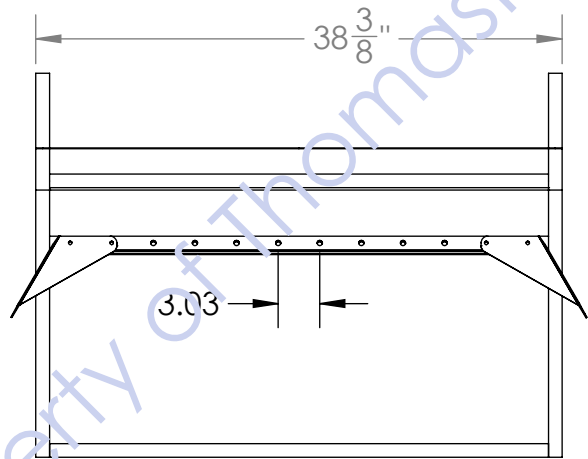


2" CROSSBAR (ONLY) ON TOP





2" CROSS BAR (ONLY) ON TOP

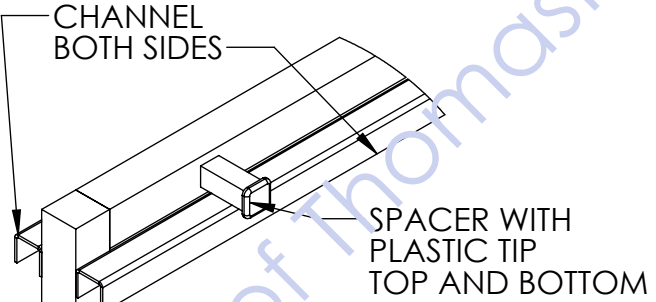
THESE WING STOPS ARE SHIPPED AS LOOSE PARTS AND THE LOWER PINS OF THE WINGS HOLD THEM IN PLACE WHEN ASSEMBLED

MUST

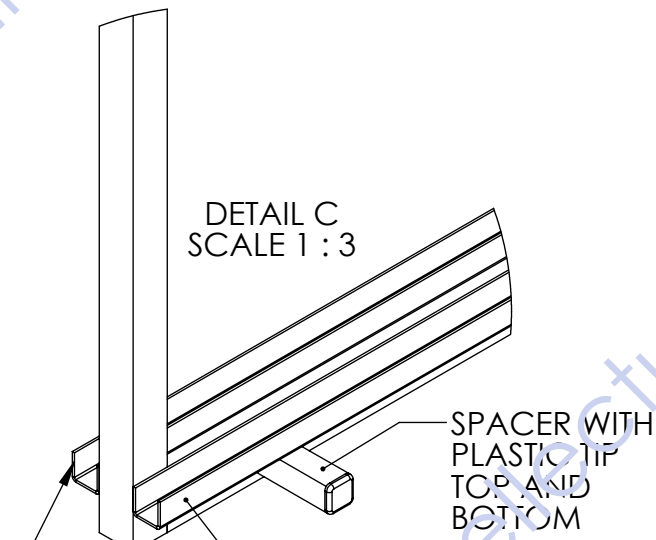
SHEETMETAL "WING STOP"
(LEFT AND RIGHT)

BEND UP FOR A "RIGHT"
BEND DOWN FOR A "LEFT"

TO ACCOMODATE SAMPLES THAT ARE 24 X 48 X 3/8" THICK



DETAIL P
SCALE 1 : 3



DETAIL C
SCALE 1 : 3

