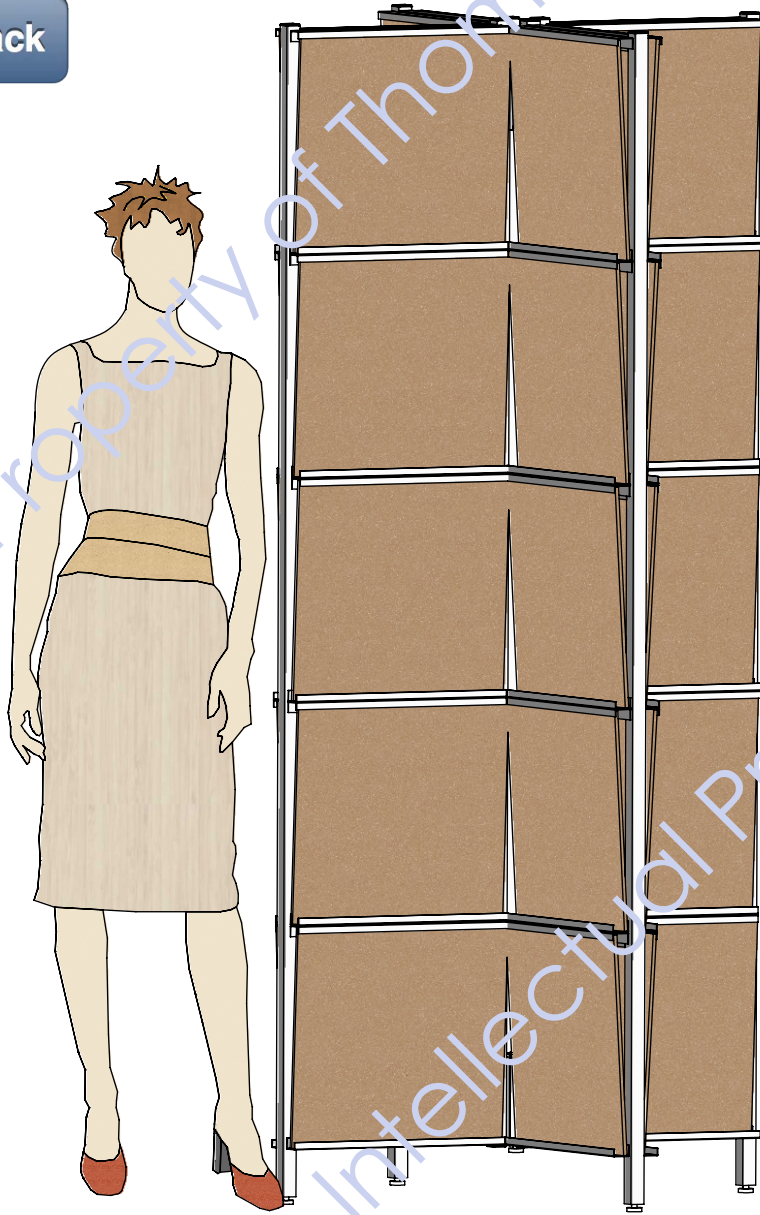
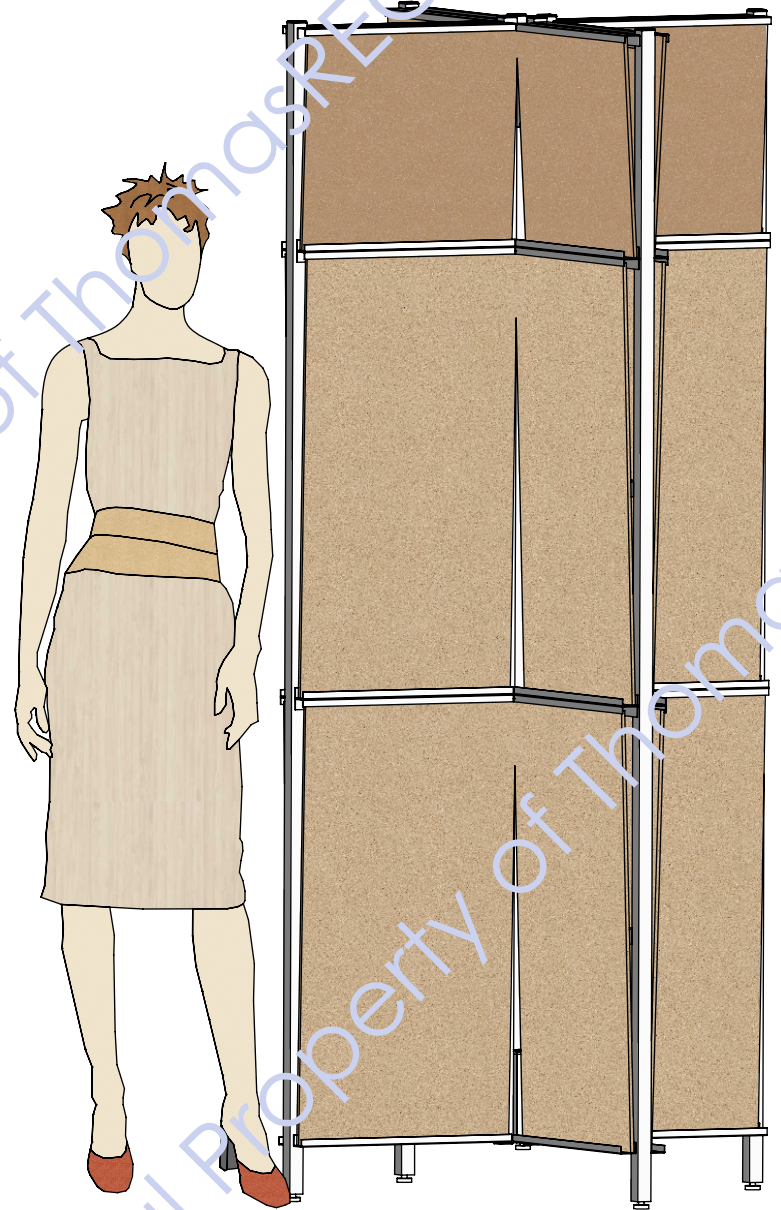


ALL 16X15 BOARDS

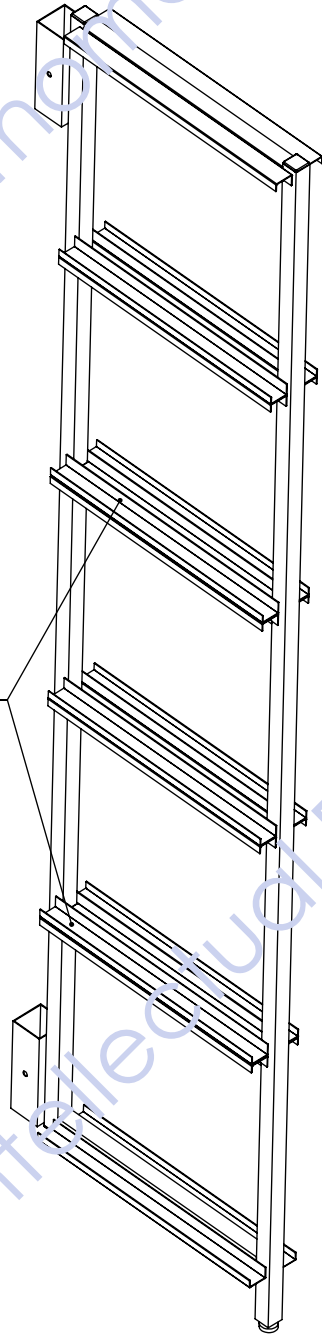
Back



16X30 BOARDS ON LOWER TWO LEVELS
BY REMOVING (2) OF THE CHANNEL SETS
ALLOWS 16X30 BOARDS TO BE INSERTED

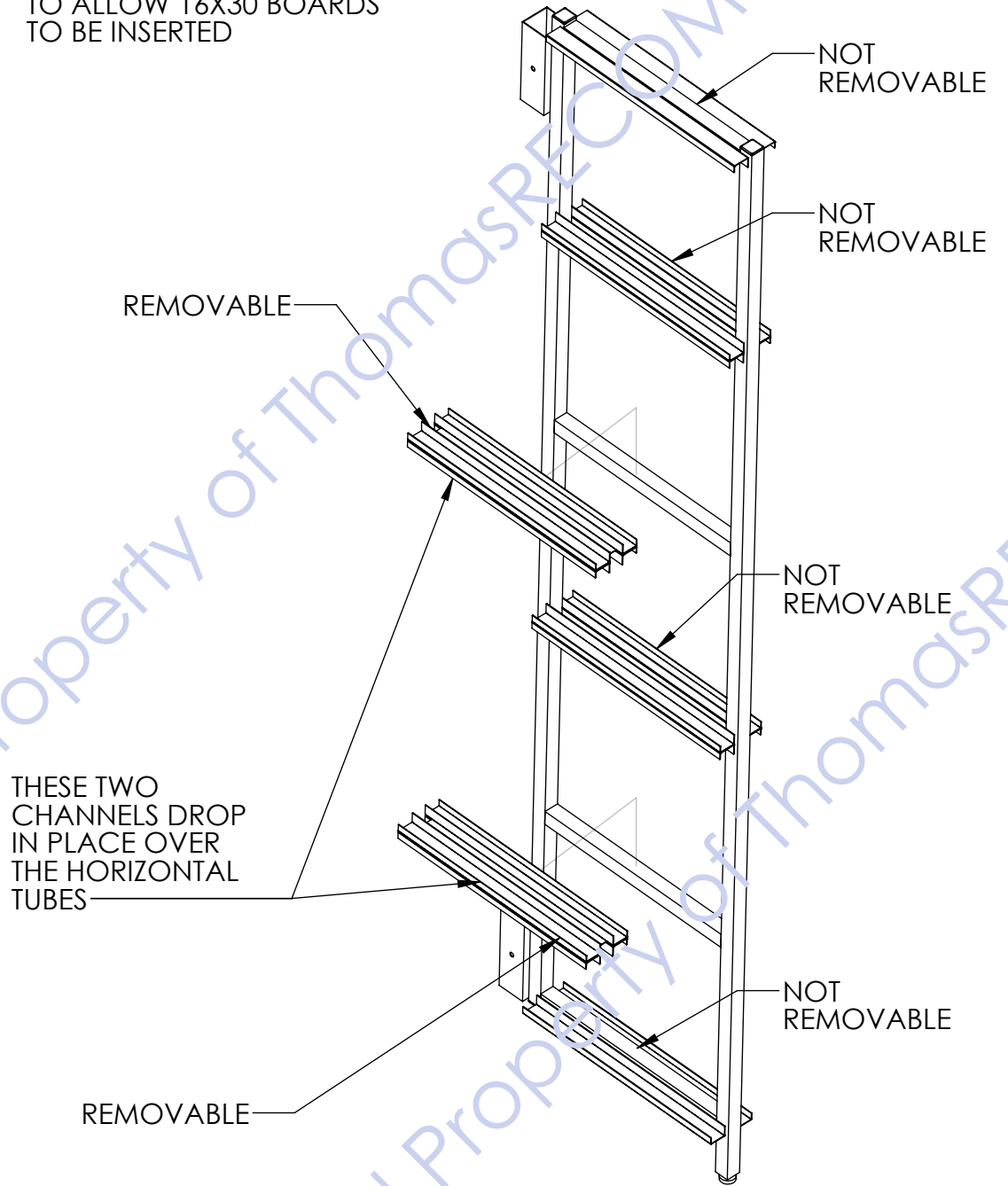


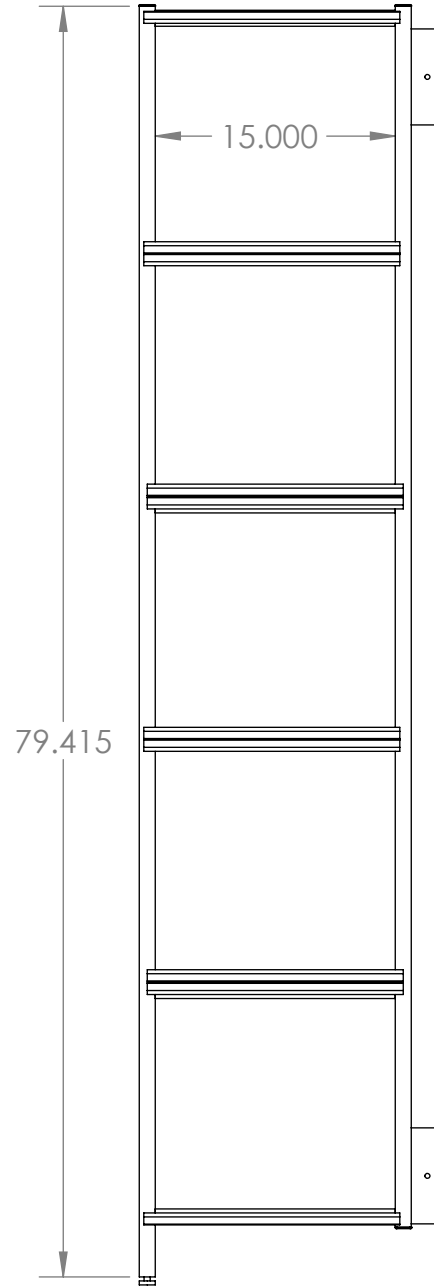
AS SHOWN ACCEPTS ALL 16X15 BOARDS



THESE CHANNELS ARE EASILY REMOVED SO 16X30 BOARDS CAN BE DISPLAYED

REMOVE CHANNELS SHOWN TO ALLOW 16X30 BOARDS TO BE INSERTED

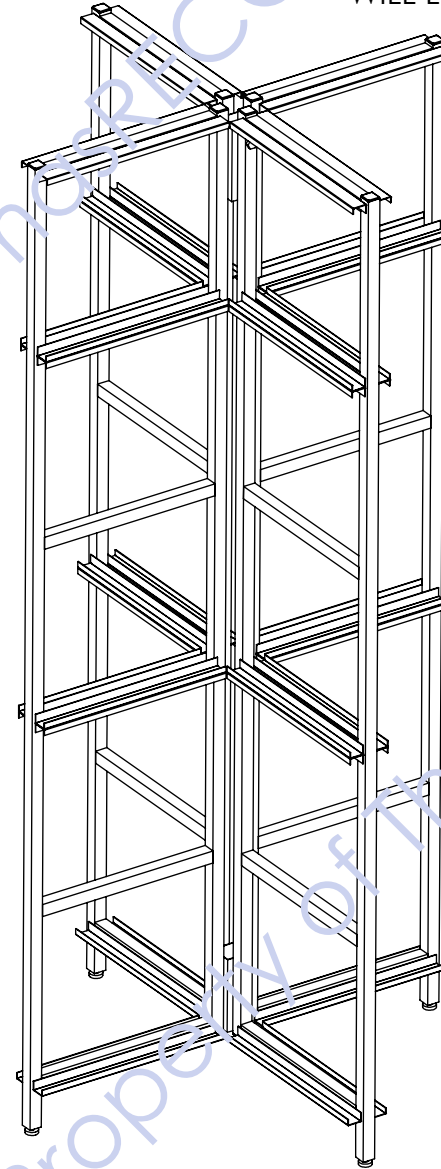
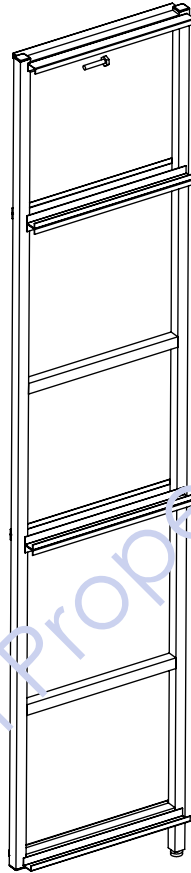
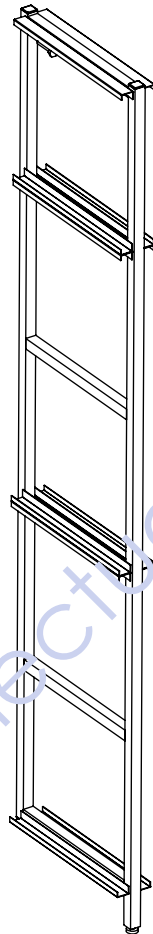
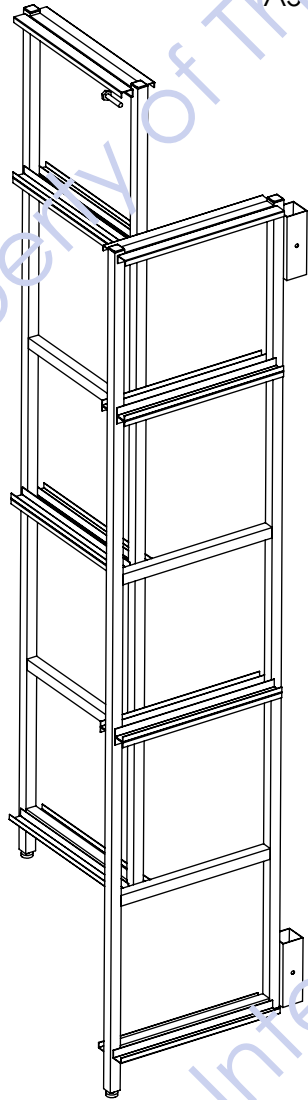




ASSEMBLY INSTRUCTIONS

BOLT ALL WINGS TO
THE CENTER TUBES
AS SHOWN

FINISHED DISPLAY
WILL LOOK LIKE THIS



REMOVABLE CHANNEL WELDMENT

