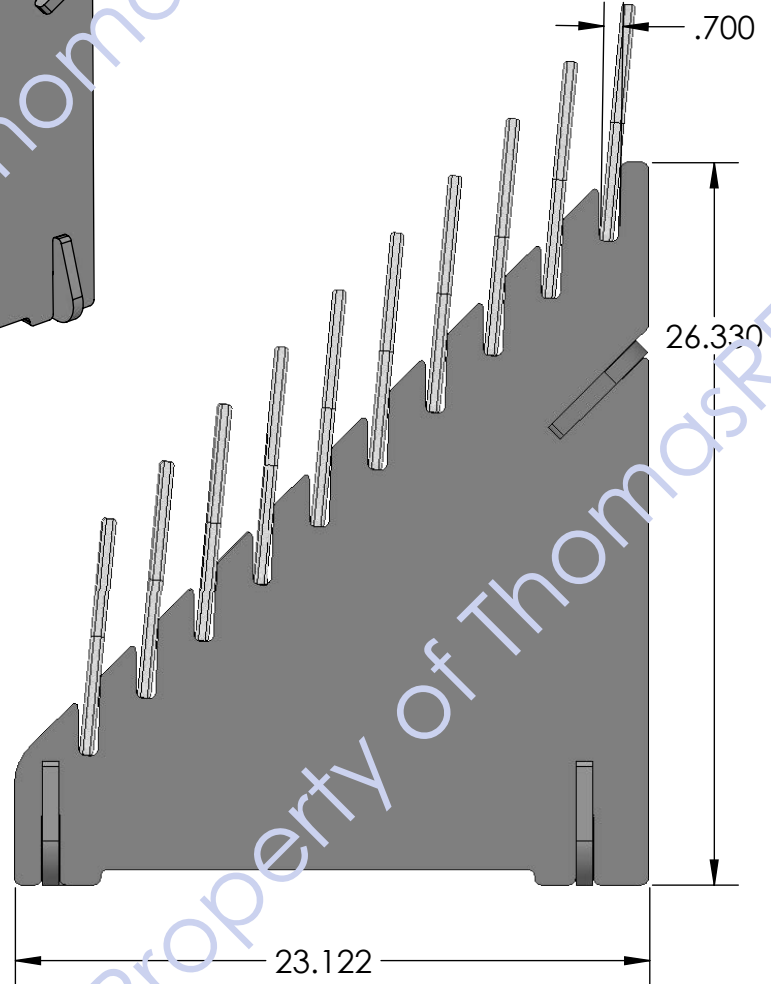
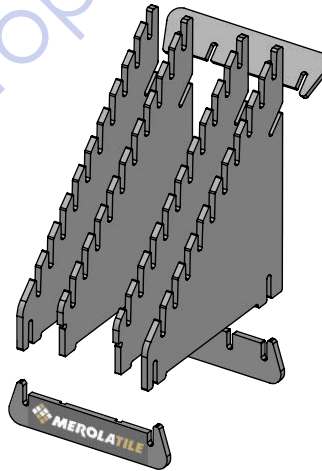
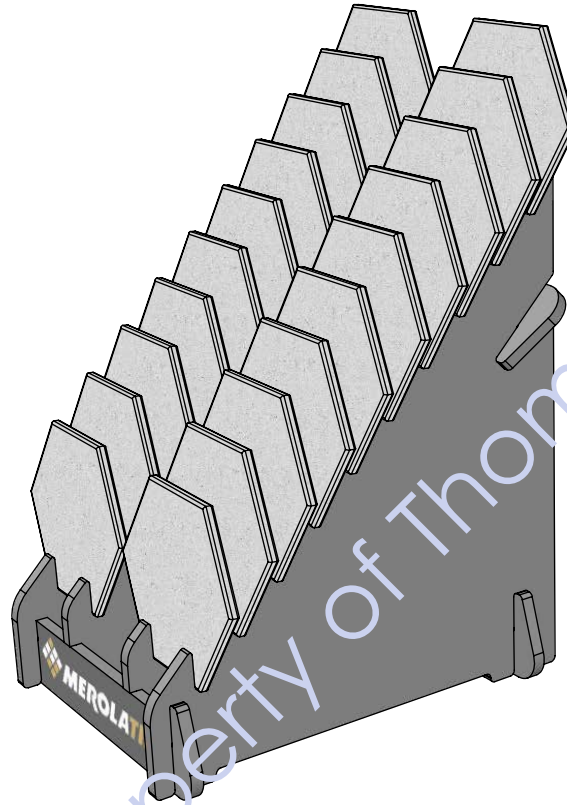
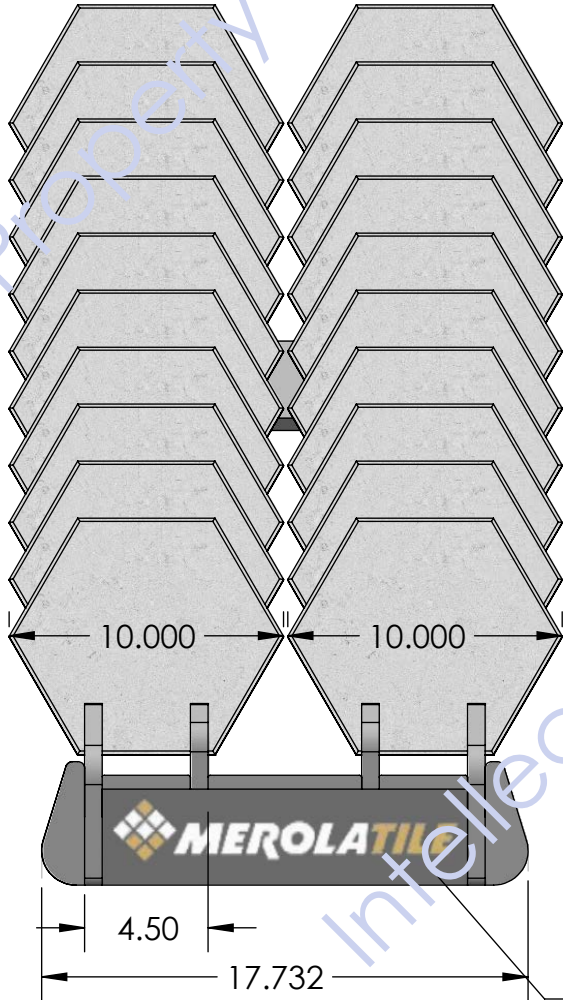
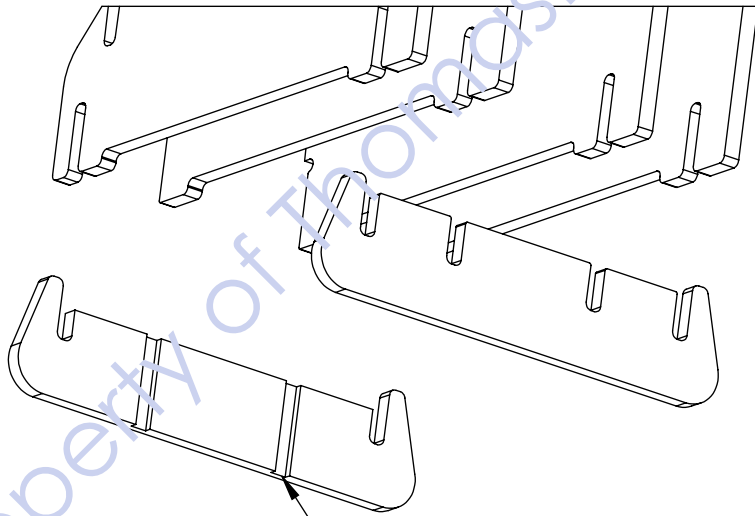


Back

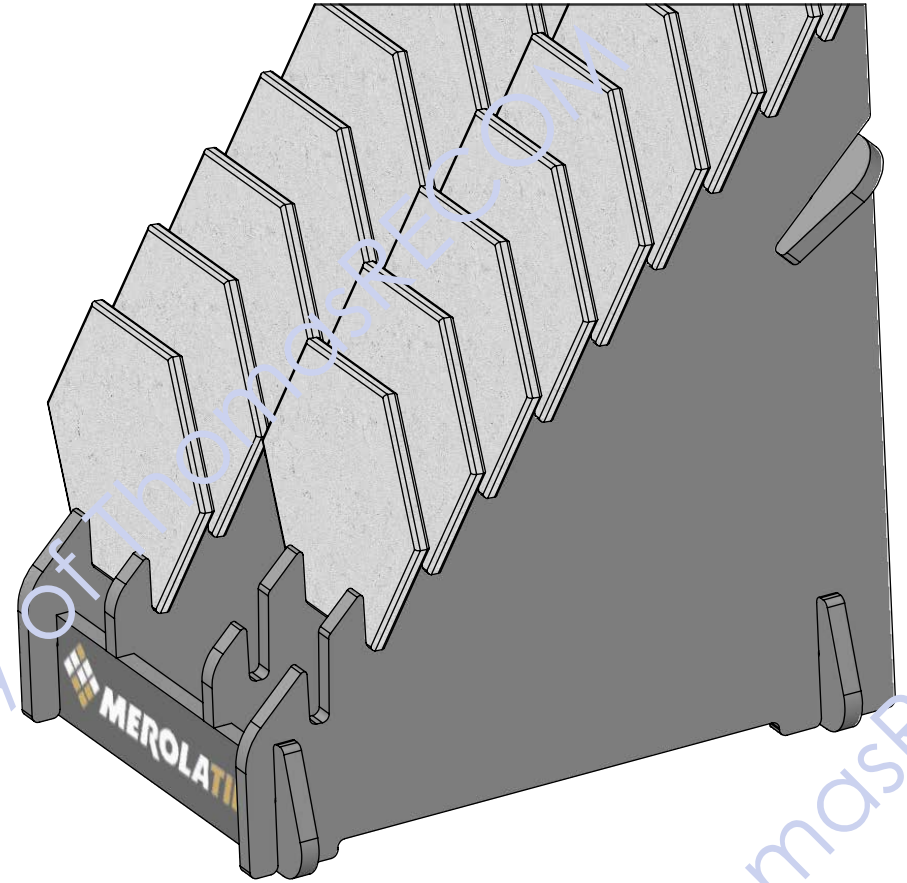
COLOR: BLACK WITH  
BLACK PAINTED EDGES

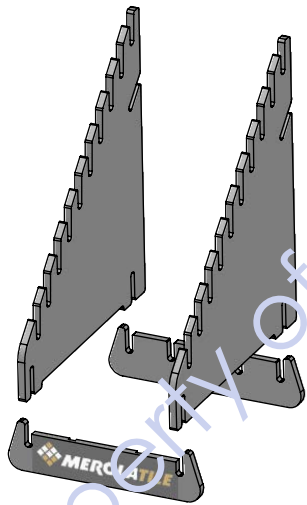


MEROLA SCREEN-PRINTED  
2-COLOR LOGO

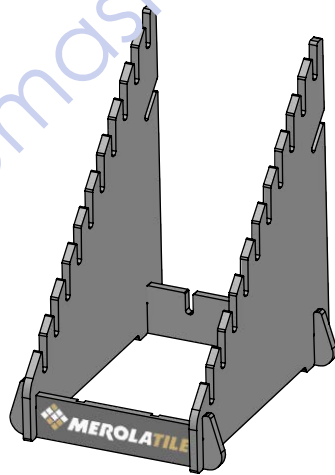


NOTE SPECIAL GROOVES

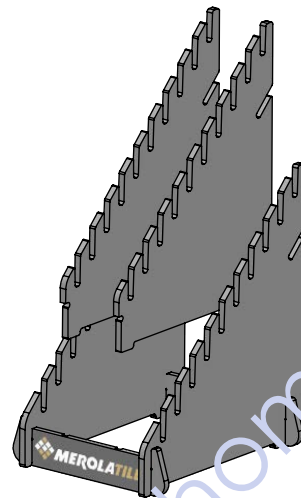




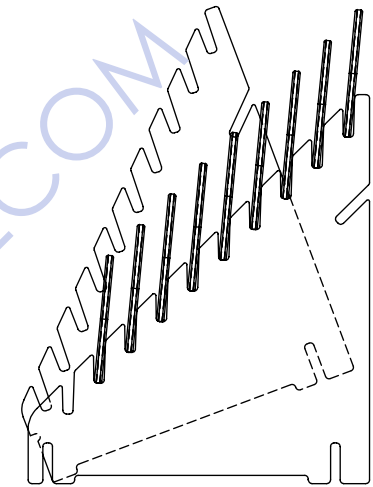
**STEP 1.)** ASSEMBLE (2) SIDE PANELS AND BASE SPANNERS AS SHOWN (FIT THE PRINTED PANEL IN FRONT)



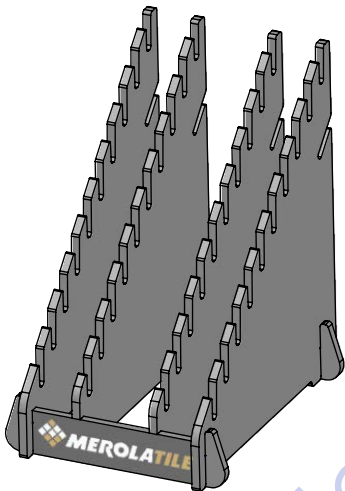
**STEP 2.)** SLIDE THE SIDE PANELS ALL THE WAY DOWN AS SHOWN



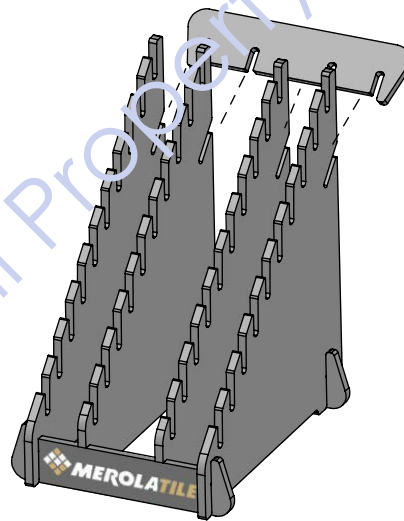
**STEP 3.)** ASSEMBLE THE CENTER PANELS



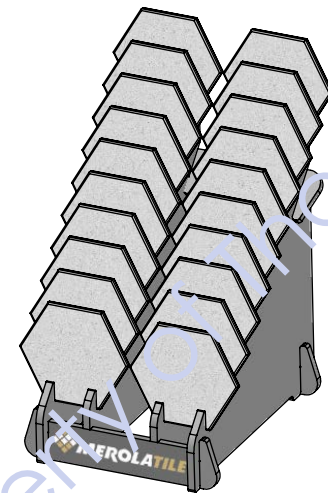
**STEP 4.)** INSERT THE CENTER (2) PANELS. ANGLE THEM AS YOU SLIDE THEM DOWN INTO THE NOTCHES



**STEP 5)** MAKE SURE ALL THE SIDES ARE FULLY SEATED DOWN TO THE FLOOR.



**STEP 6)** SLIDE THE BACK SPANNER INTO THE NOTCHES AS SHOWN.



**STEP 7)** INSTALL YOUR SAMPLES AND GET READY TO SELL !!!

## ASSEMBLY INSTRUCTIONS FOR MEROLA FLOORING DISPLAY

DESC.: DBL 10 GRAPHIC FRONT MEROLA

PART#: 1471

DATE: 7-26-23

SHEET 3 OF 3