

Back

"PUCKERED OUT" HEADER SIGN

mosaic

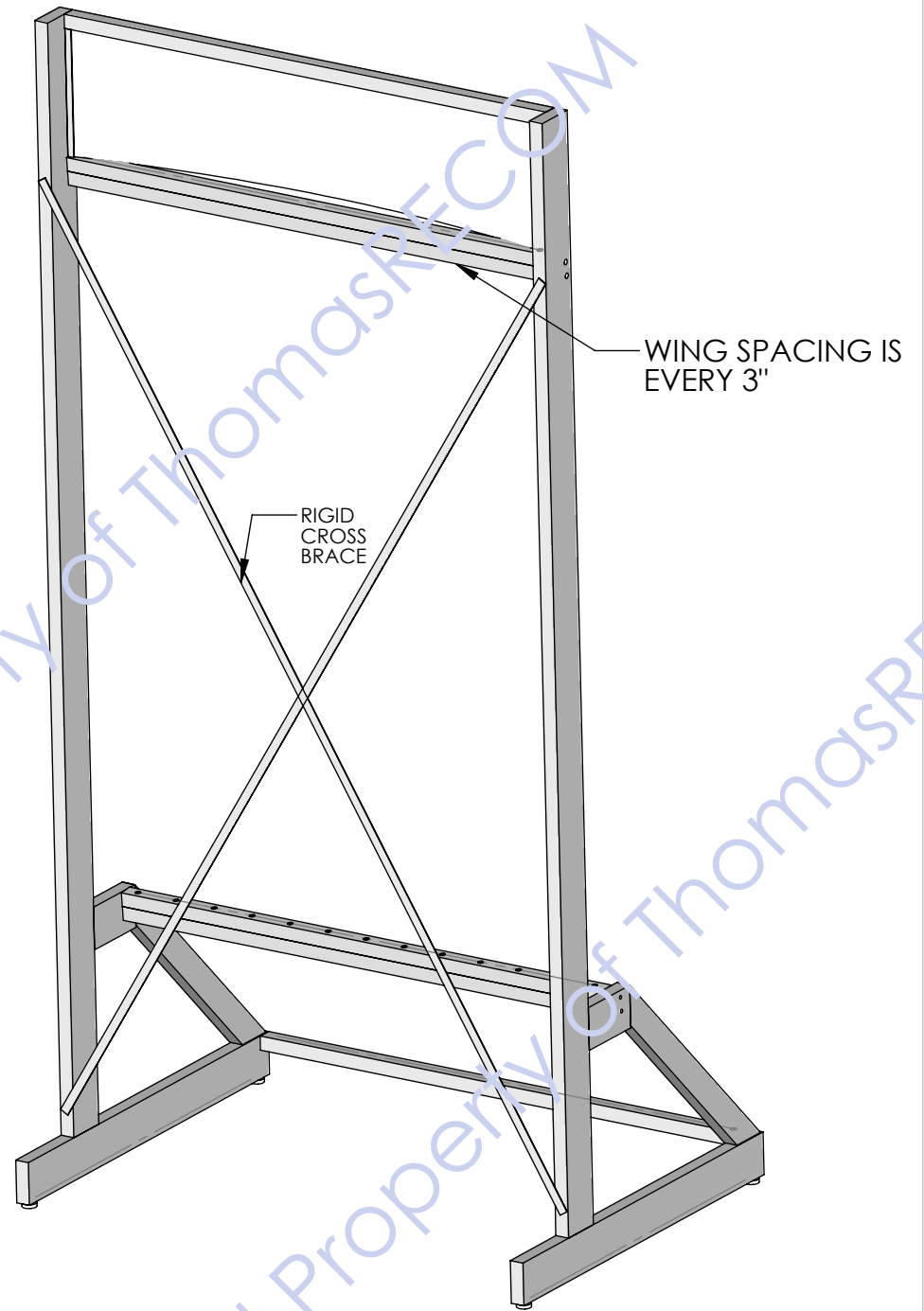
WINGS ***MUST*** INCLUDE THIS STYLE SPACER TO PREVENT LOUD "CLANKING"

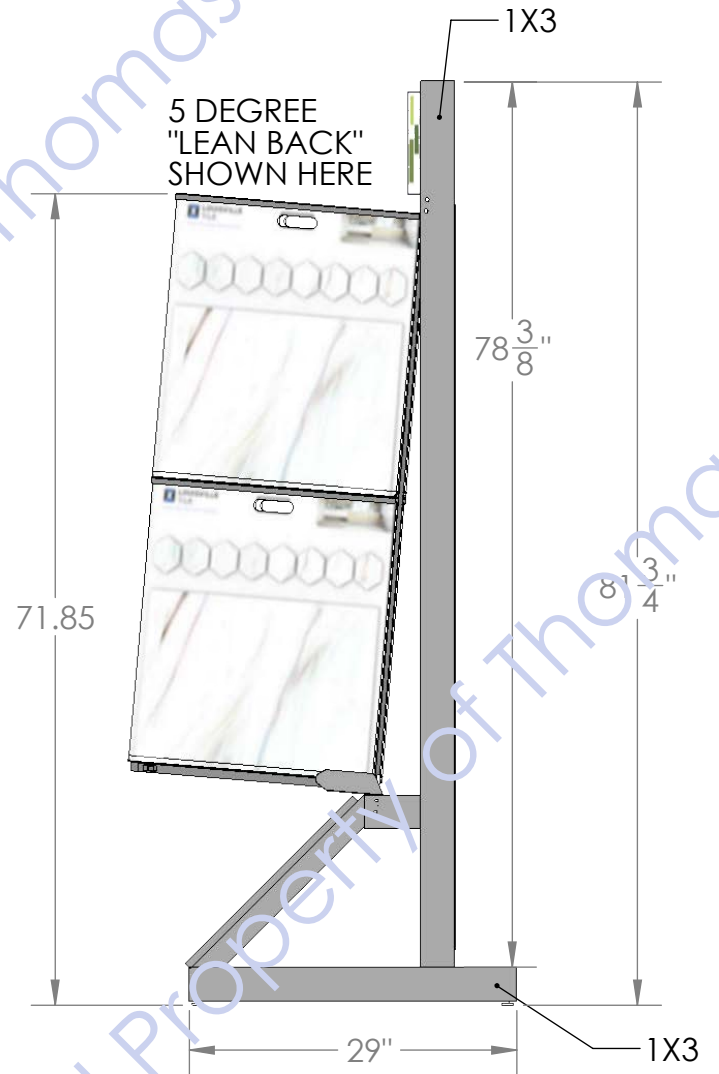
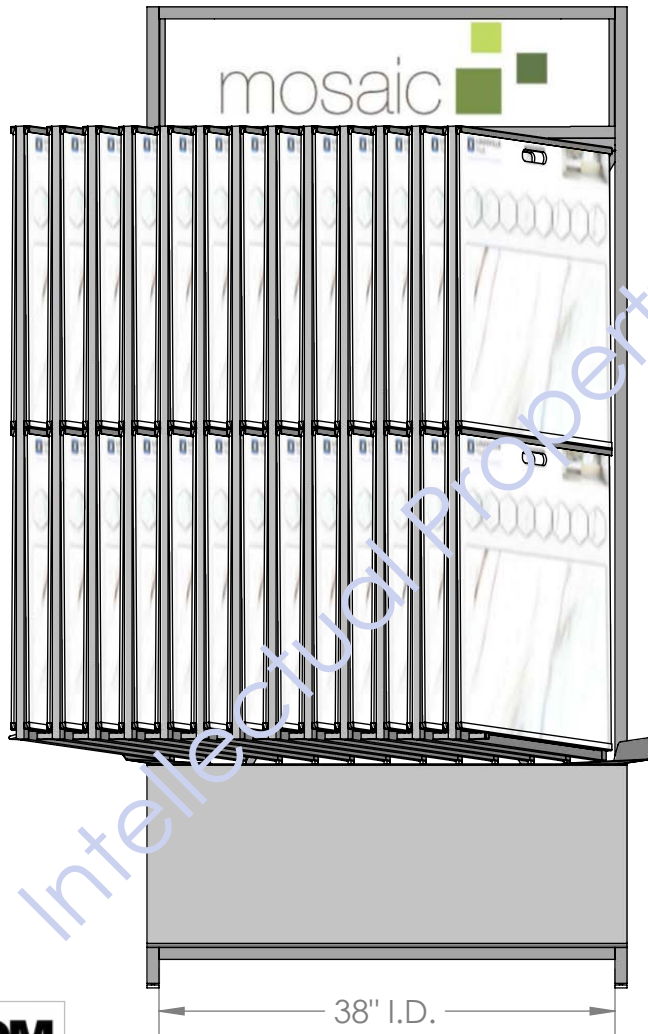
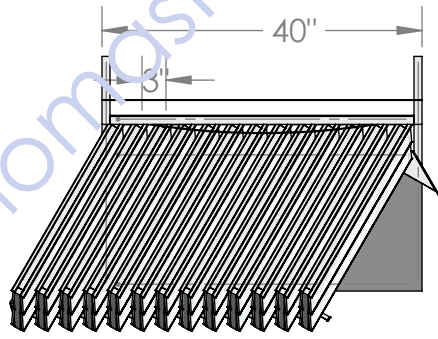
MUST INCLUDE THIS "WING-STOP"
SEE INSTRUCTION PAGE FOR EASY STEPS TO FABRICATE

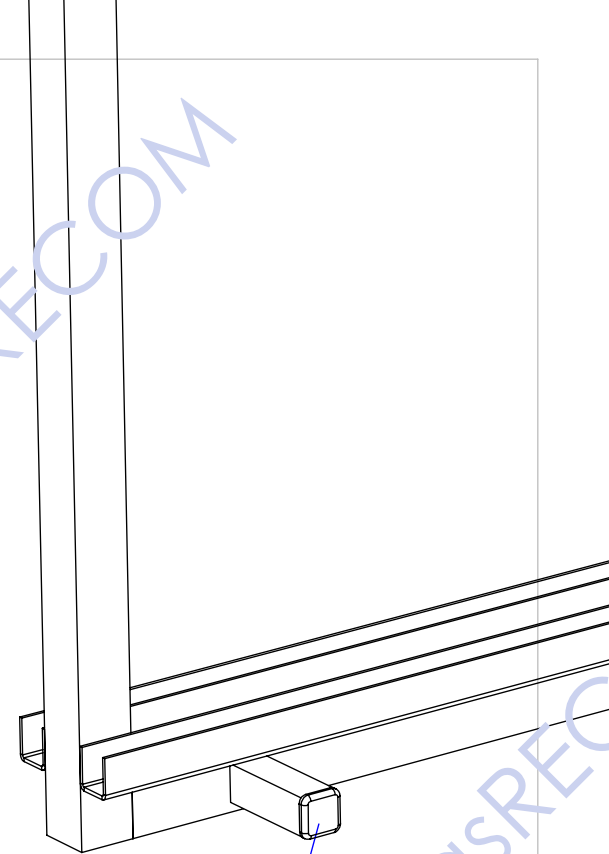
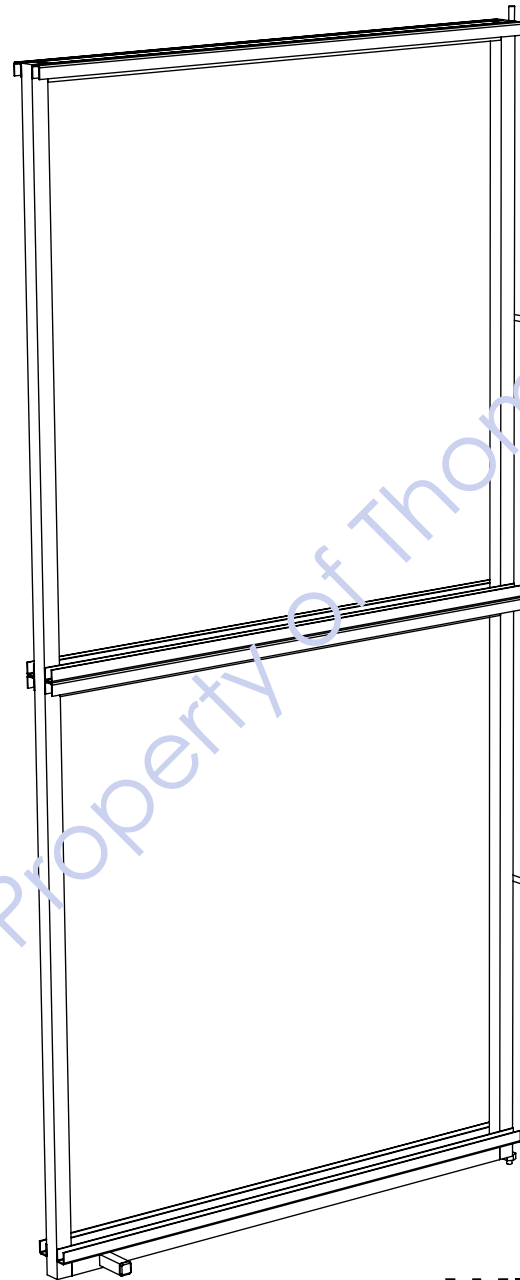
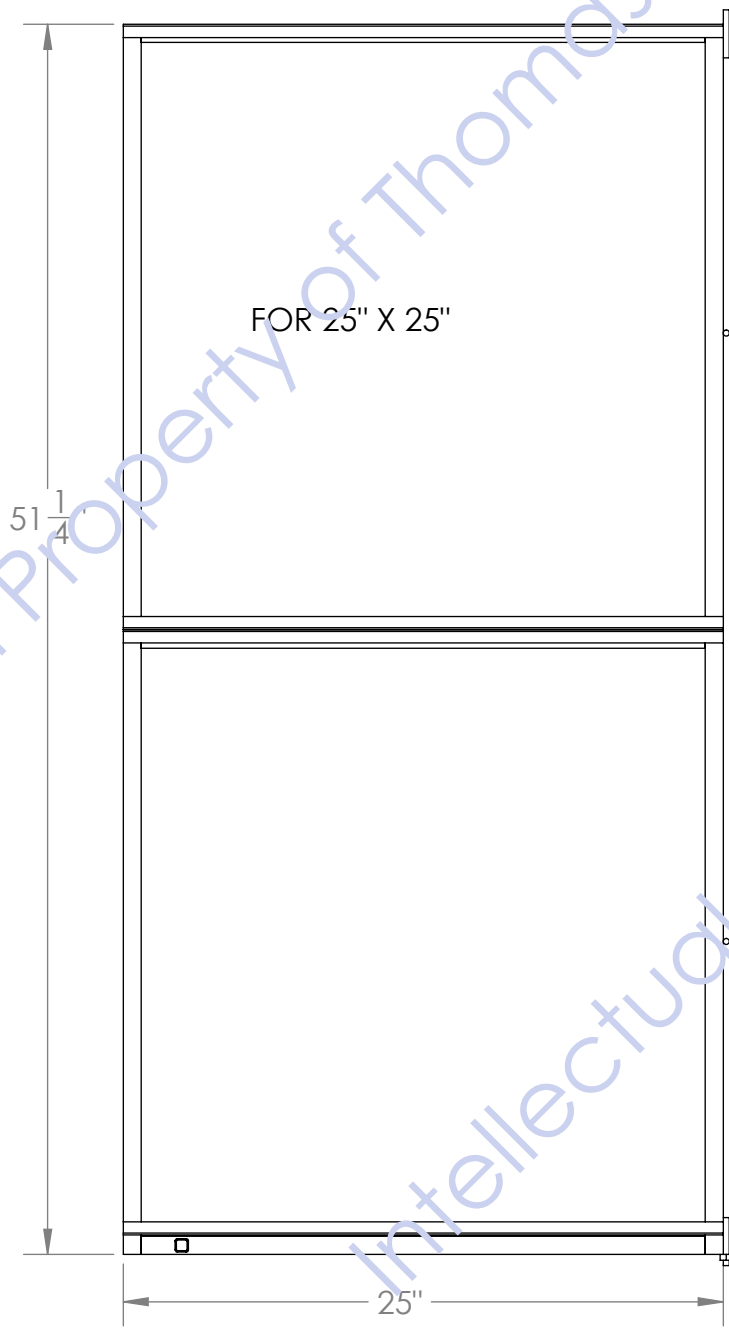
5 DEGREE
"LEAN BACK"
SHOWN HERE

MUST INCLUDE THIS OFFSET TO ALLOW MORE "LEAN BACK"

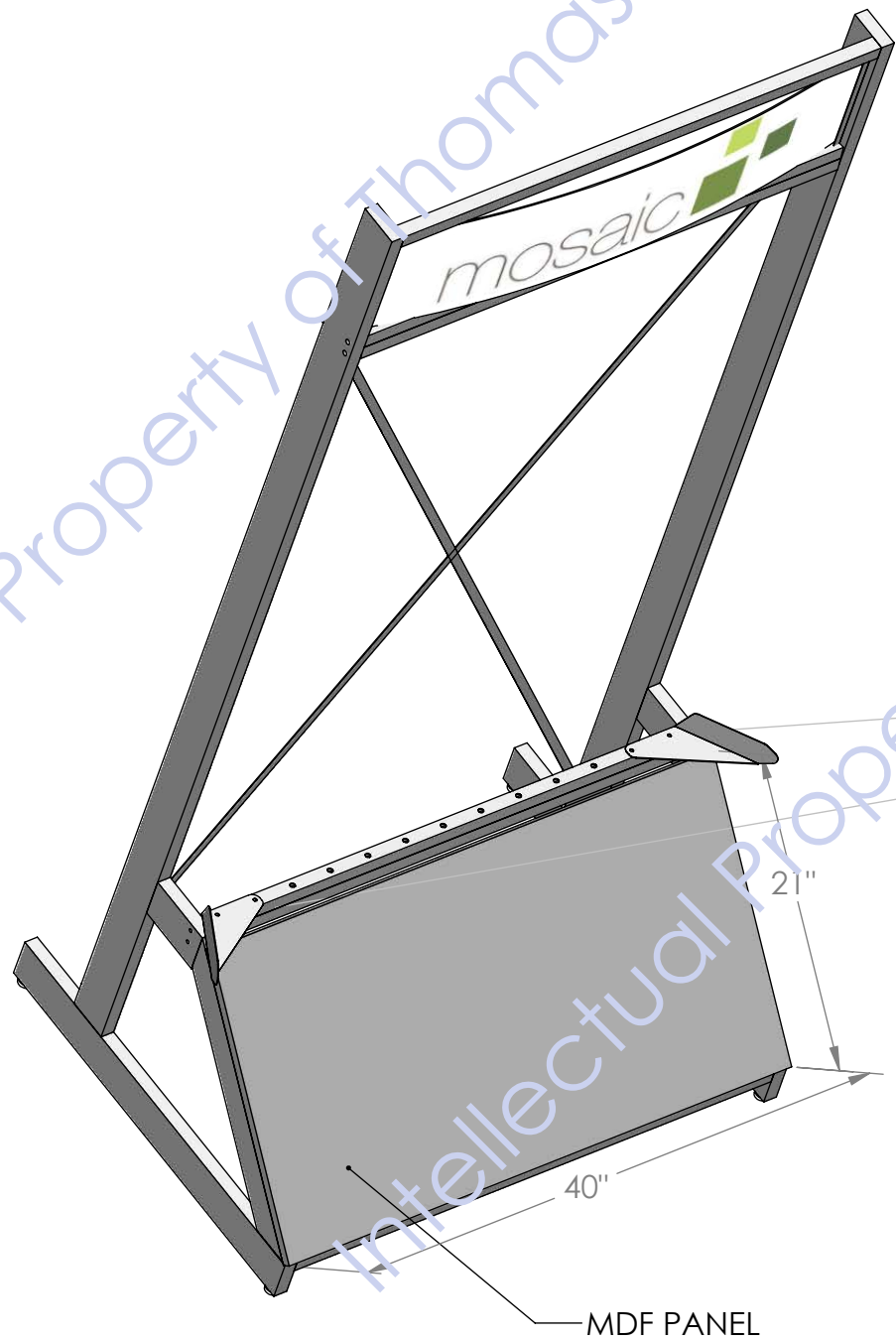
MUST INCLUDE THIS EXTENSION (PER CUSTOMER)





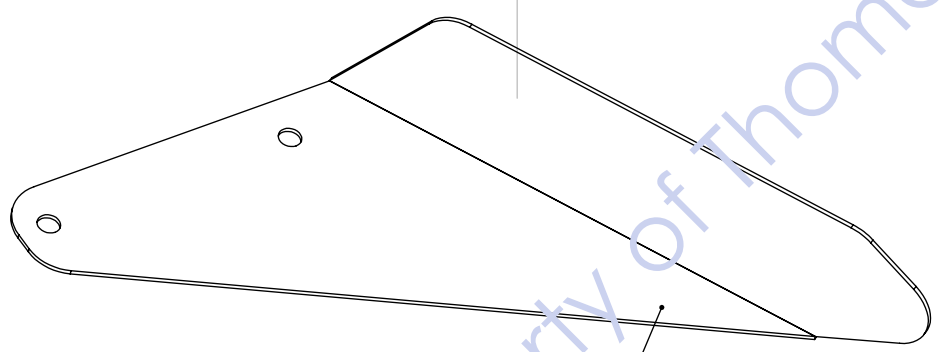


**WING SPACER HAS
PLASTIC TIP CUSHION**



THE SHEET-METAL WING STOPS ARE LOOSE PARTS THAT THE LOWER PINS OF THE WINGS ENGAGE INTO.

SHEETMETAL "WING STOP"
(LEFT AND RIGHT)



MUST INCLUDE THIS STYLE WING STOP