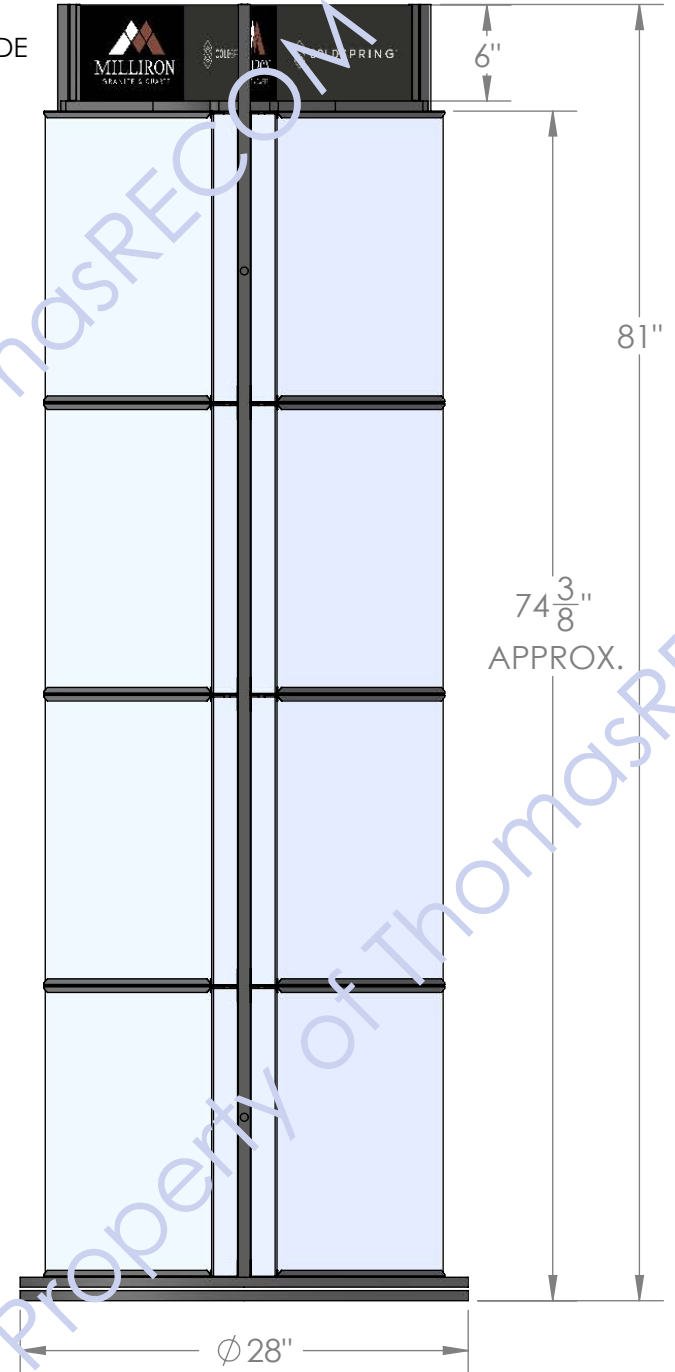
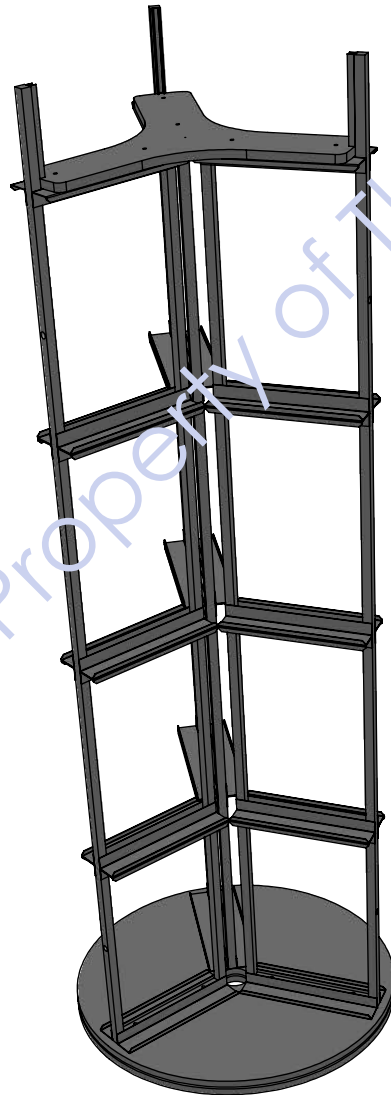
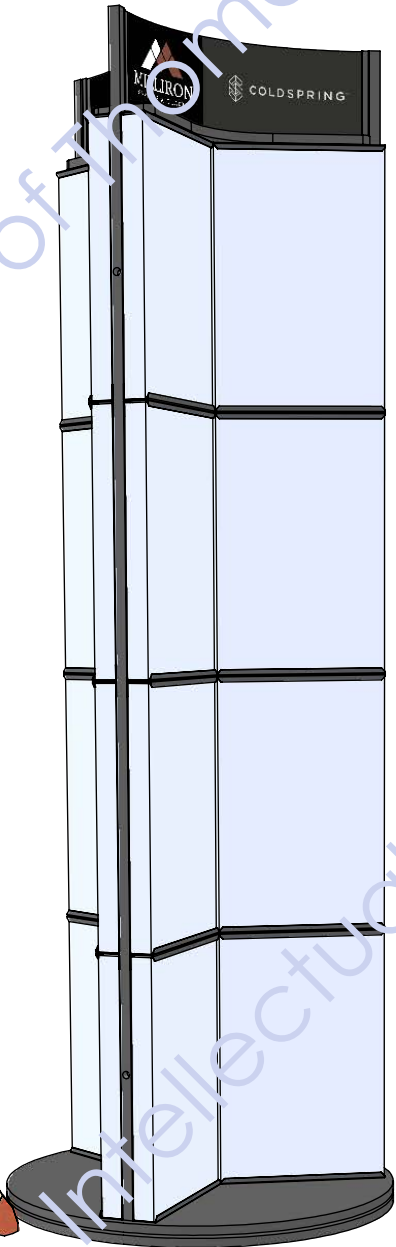
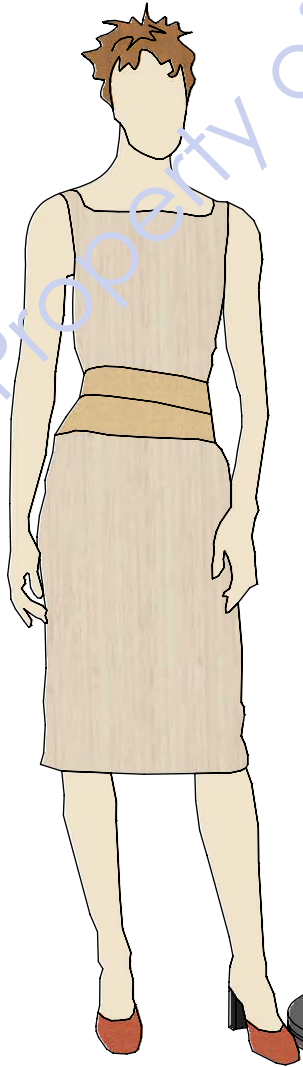


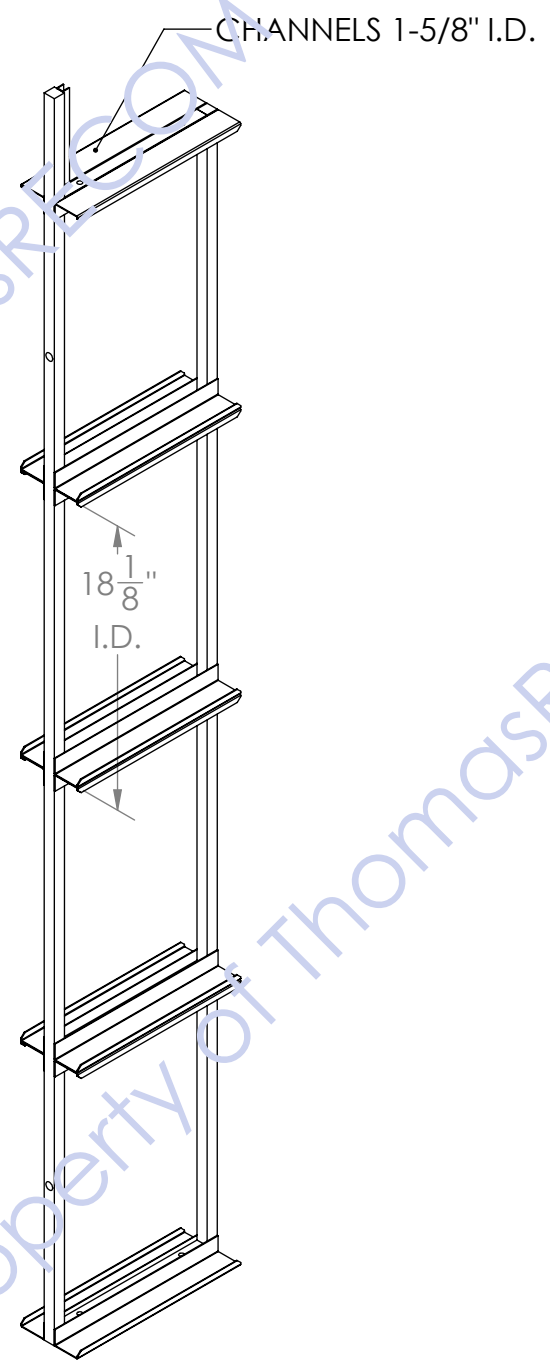
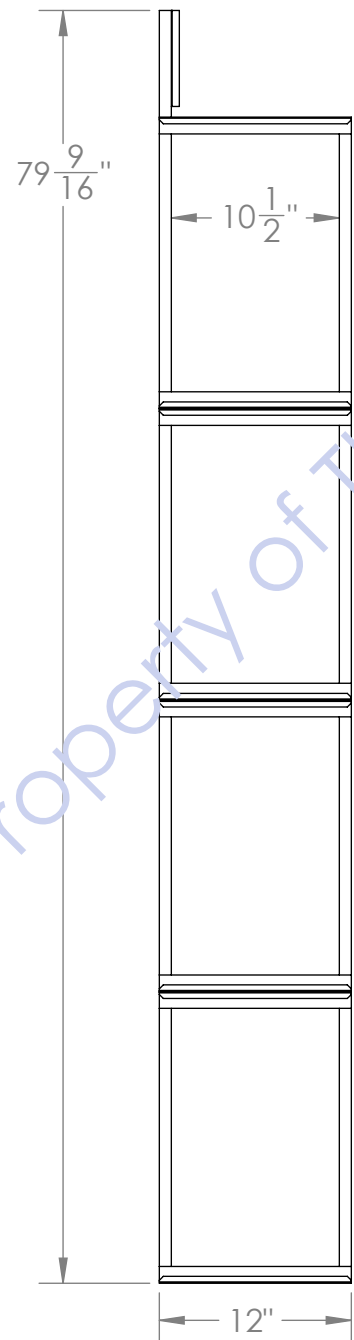
CHANNELS TO ACCEPT 1.5" THICK SAMPLES!

- 30-1/2" DIAMETER
- 3-WINGS
- SAMPLES: 18" TALL X 12" WIDE X 1-1/2" THICK
- ACCEPTS 24 SAMPLES
- 3 HEADER SIGNS
- ROTATES ON BASE
- STEEL TUBE FRAME
- SHEETMETAL CHANNELS
- DURABLE BLACK FINISH
- BASE IS DURABLE MDF

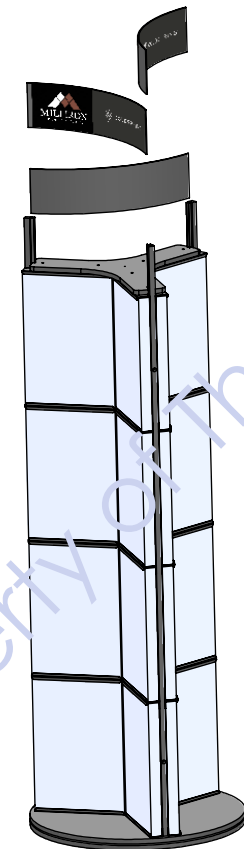
Back



Intellectual Property of ThomasRECOM

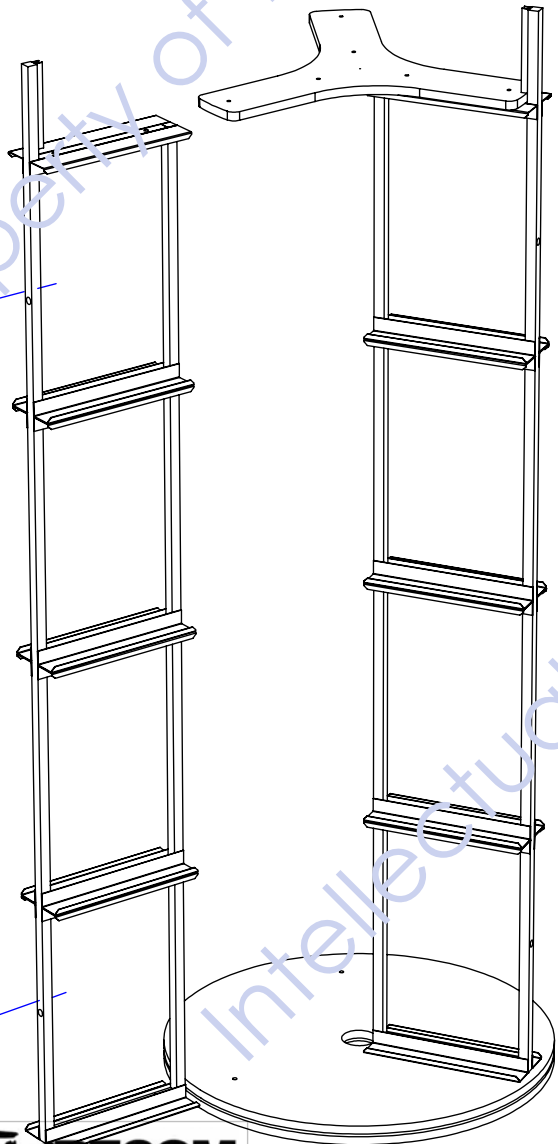
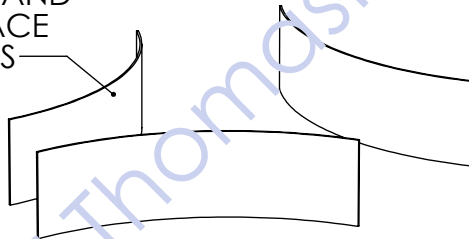


Intellectual Property of ThomasRECOM





SIGNS BEND AND
DROP IN PLACE
IN CHANNELS



SIGNS BEND AND
DROP IN PLACE
IN CHANNELS

