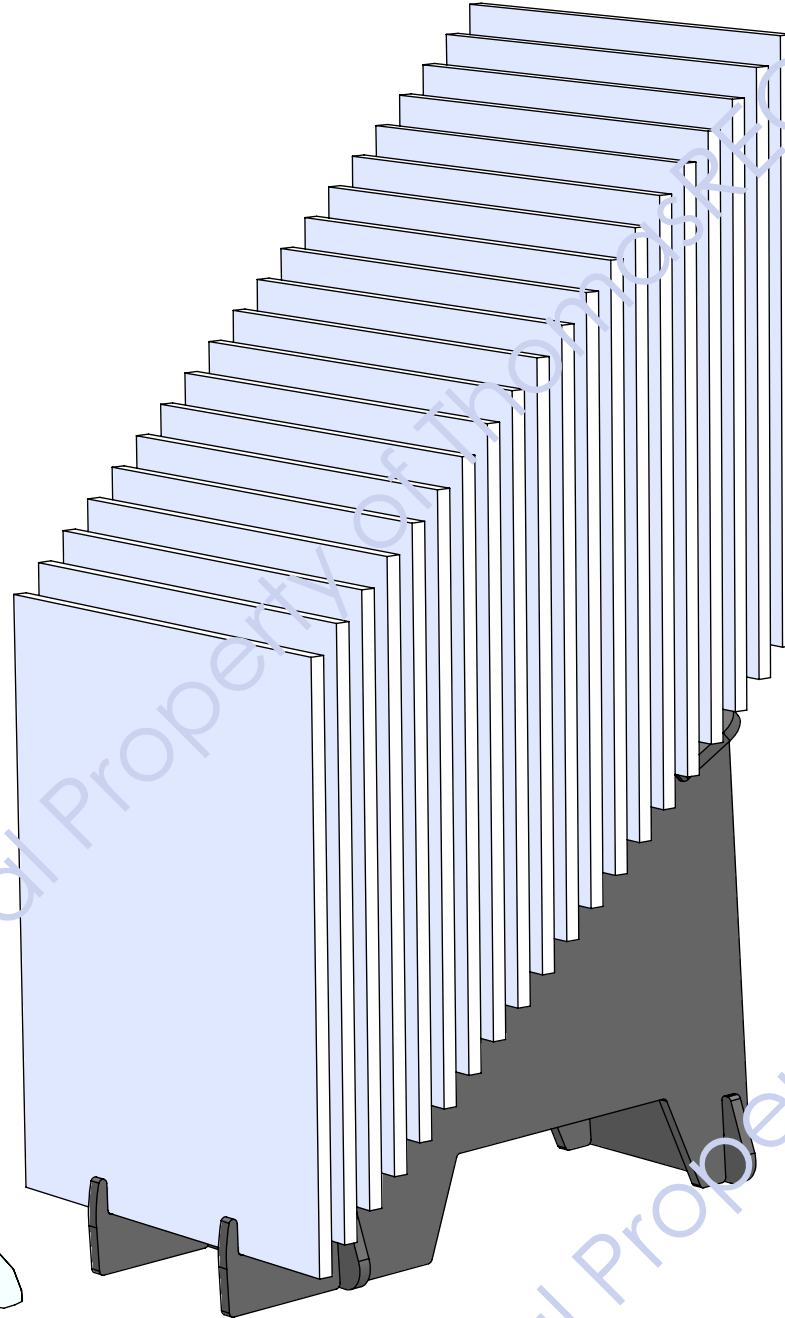
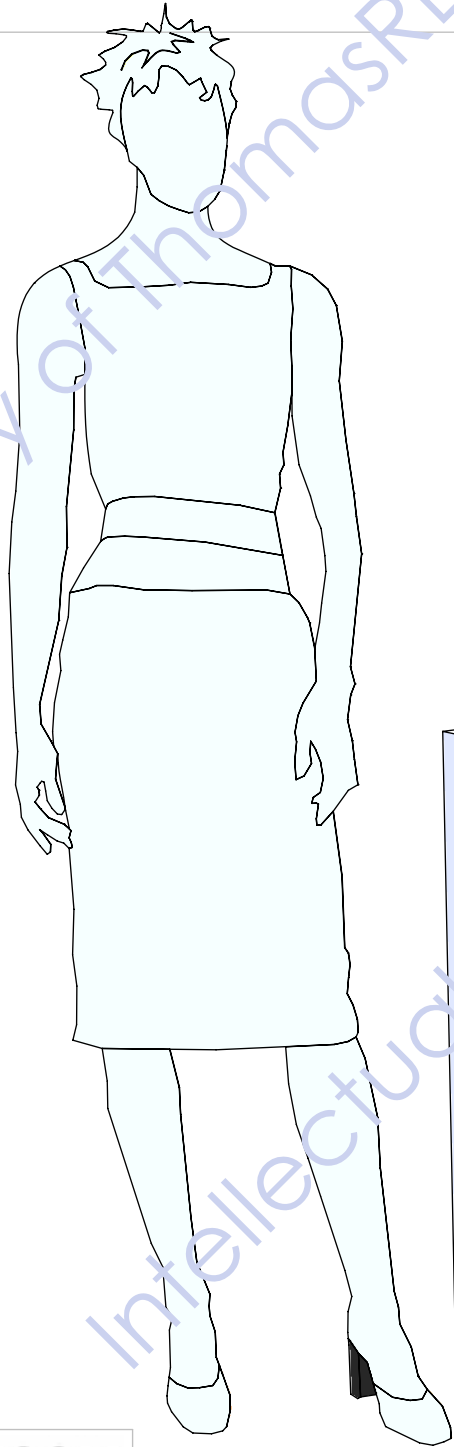
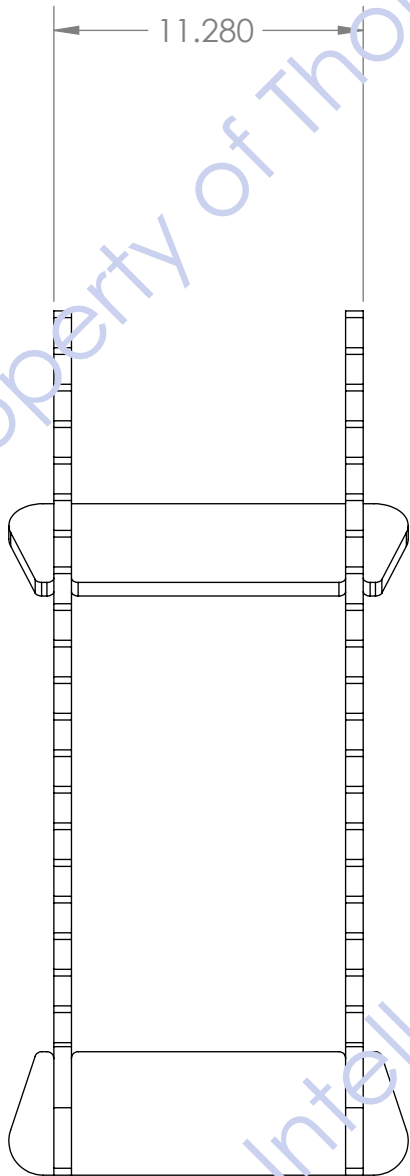


Back





$\frac{3}{4}$ "
MAX
SAMPLE
THICKNESS

