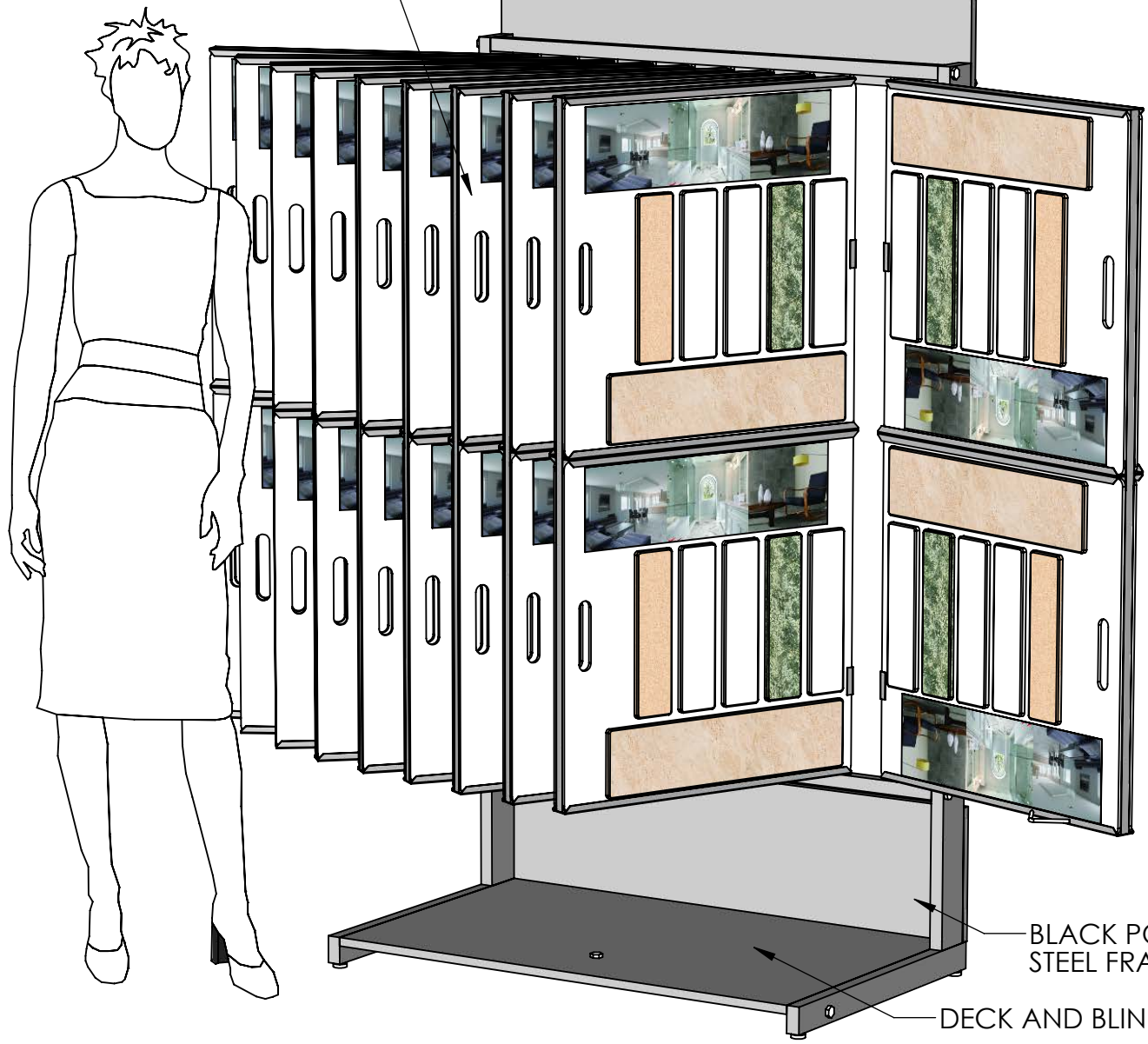


Back

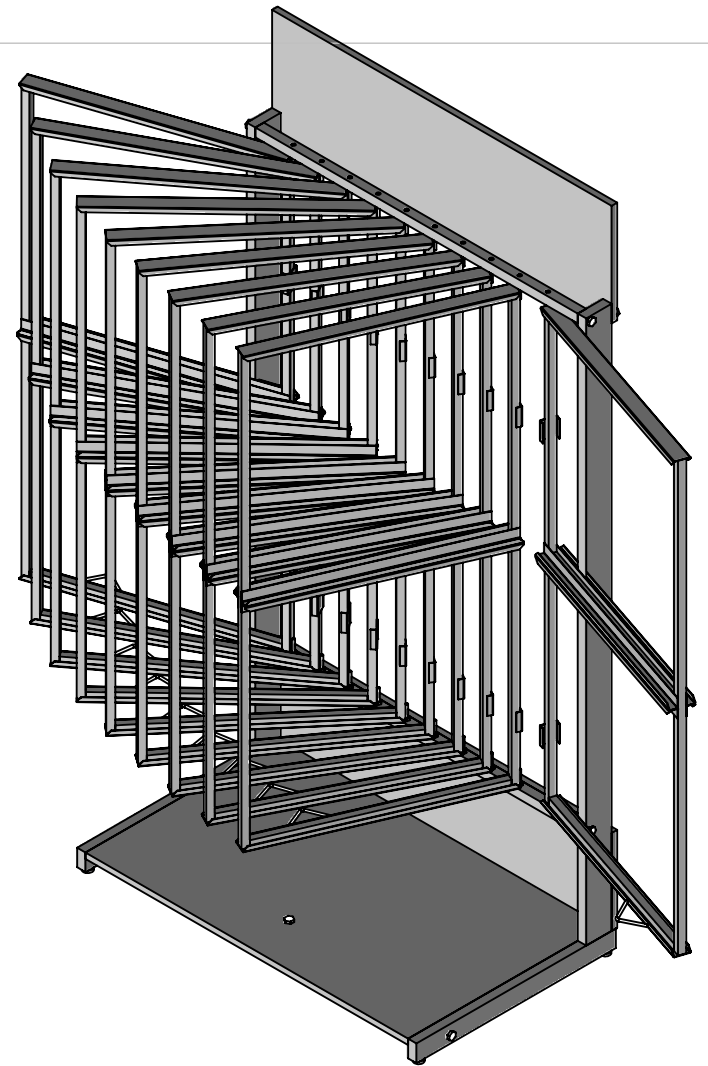
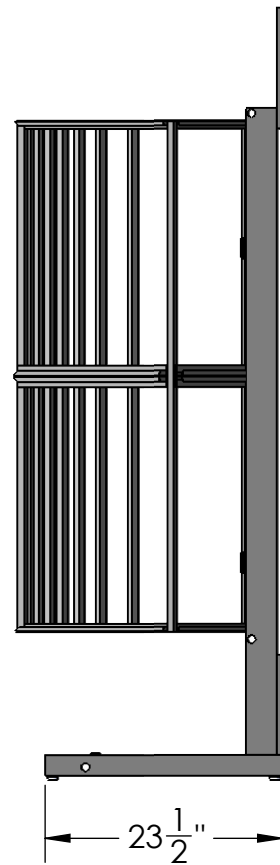
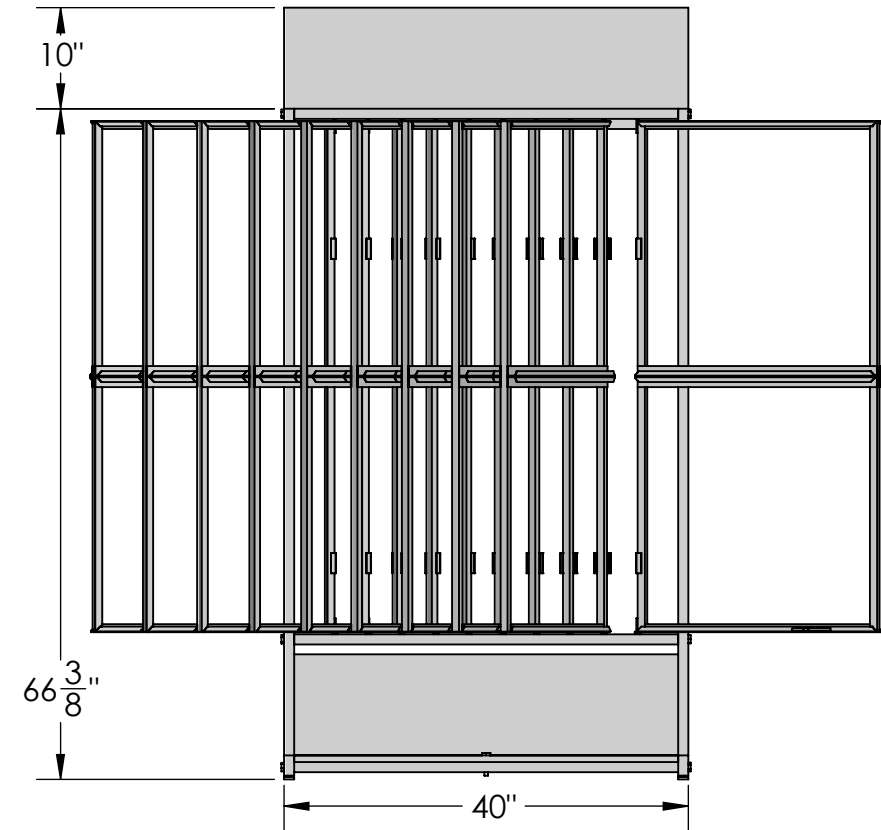
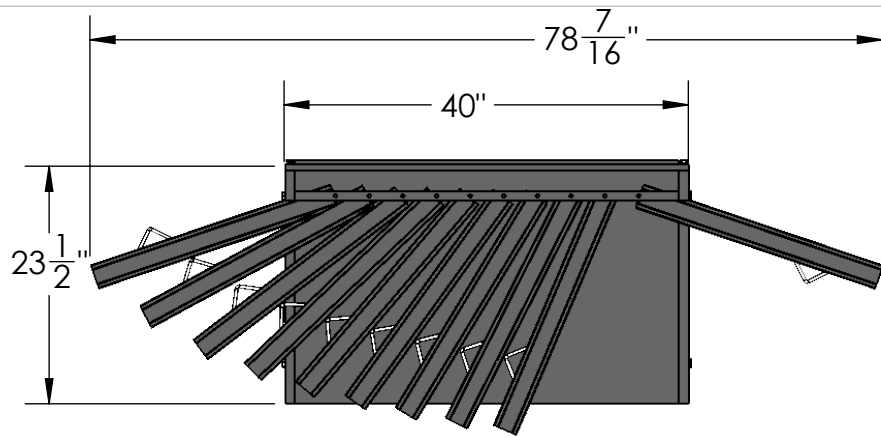
WINGS TO ACCOMMODATE 25X25 BOARDS

REAR MOUNTED HEADER SIGN

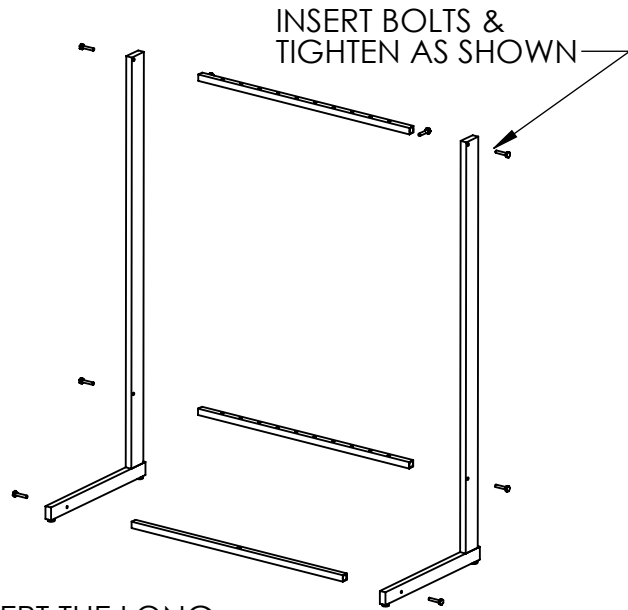


BLACK POWDERCOATED STEEL FRAME STRUCTURE

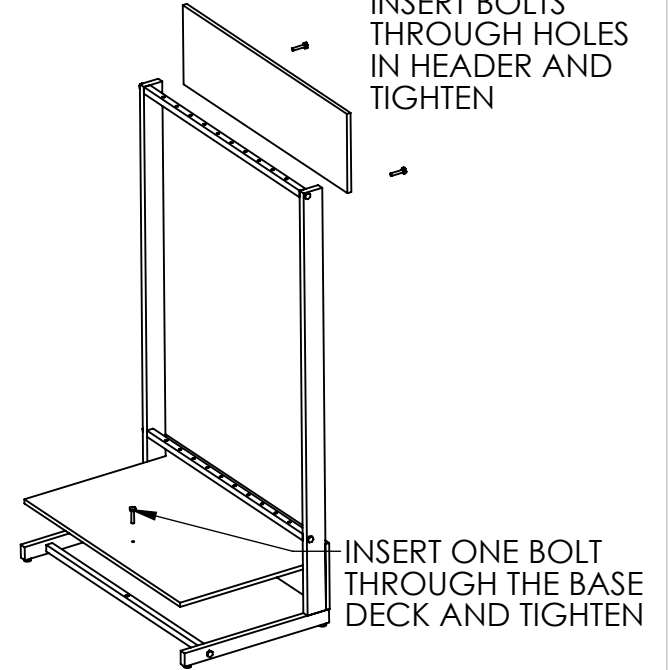
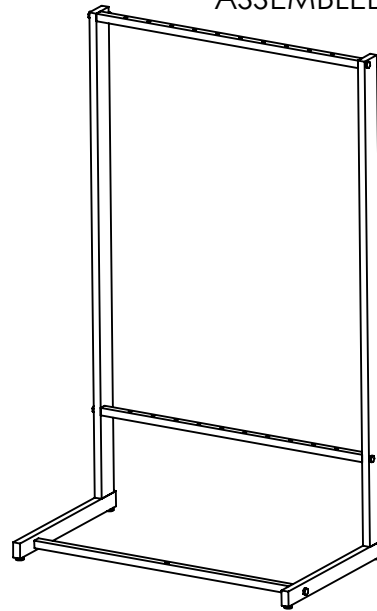
DECK AND BLIND PANEL



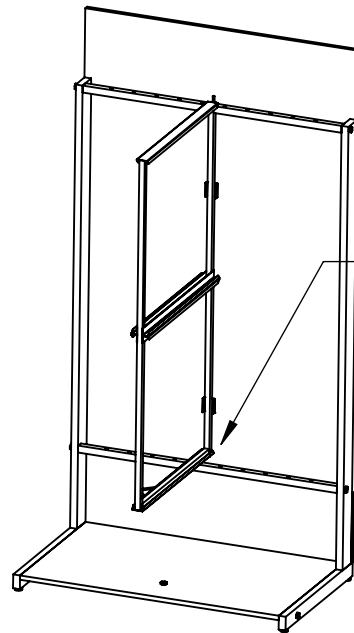
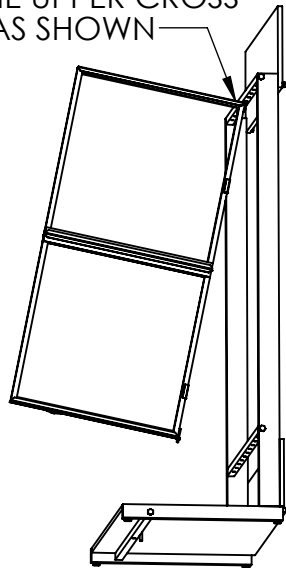
INSTRUCTION SHEET



ASSEMBLED FRAME



INSERT THE LONG PIN UP INTO THE HOLE ON THE UPPER CROSS TUBE AS SHOWN



DROP THE BOTTOM PIN INTO THE HOLE IN THE LOWER CROSS TUBE, MAKE SURE IT IS FULLY SEATED!!!



INSTALL YOUR BOARDS AND SELL PRODUCT!!!