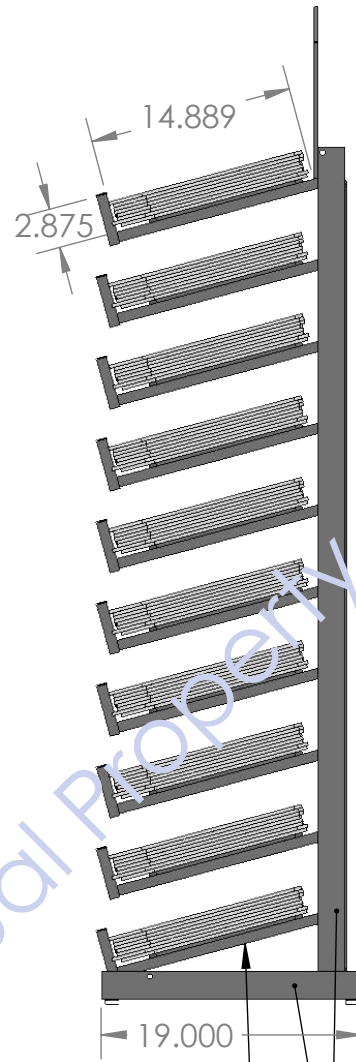
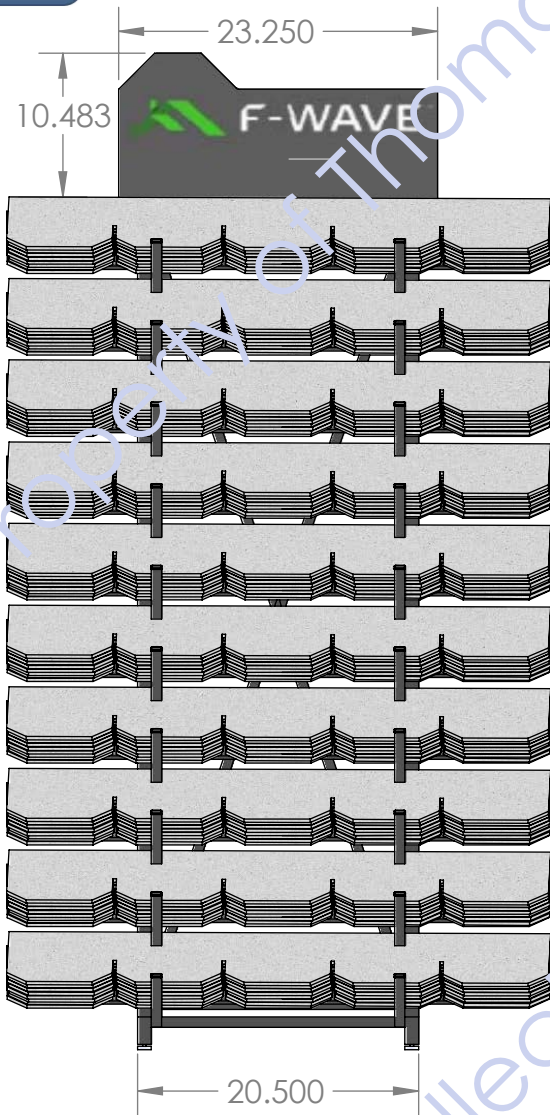
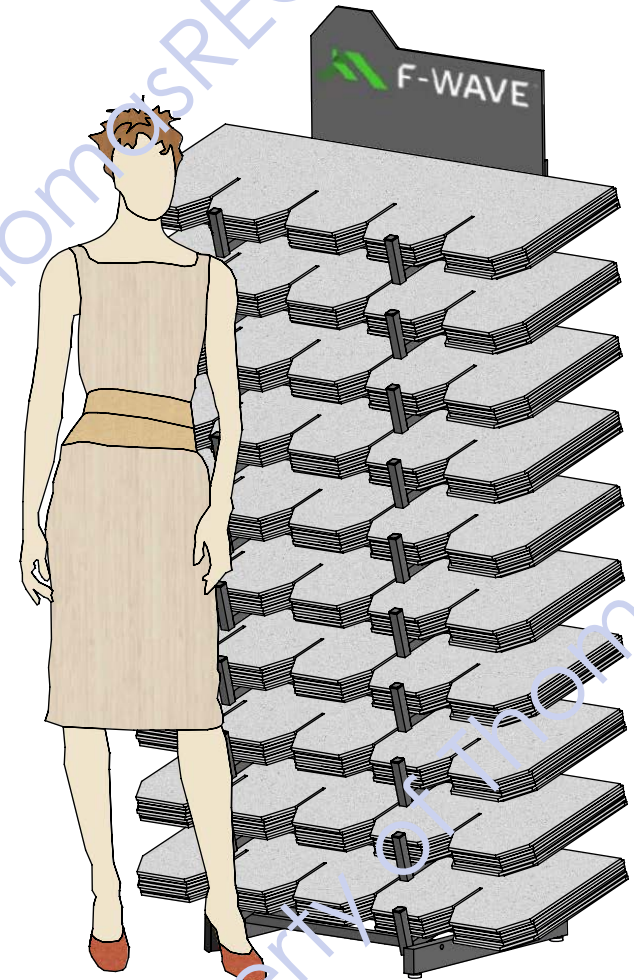


Back

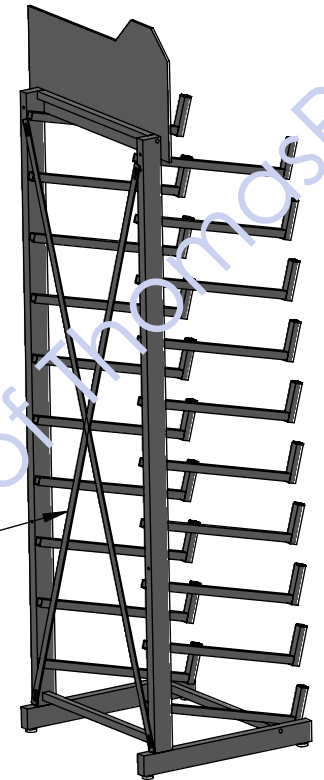
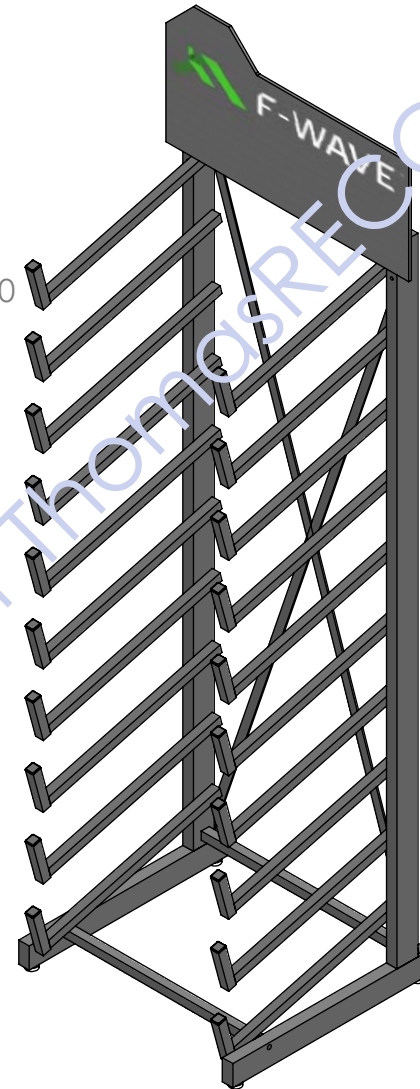
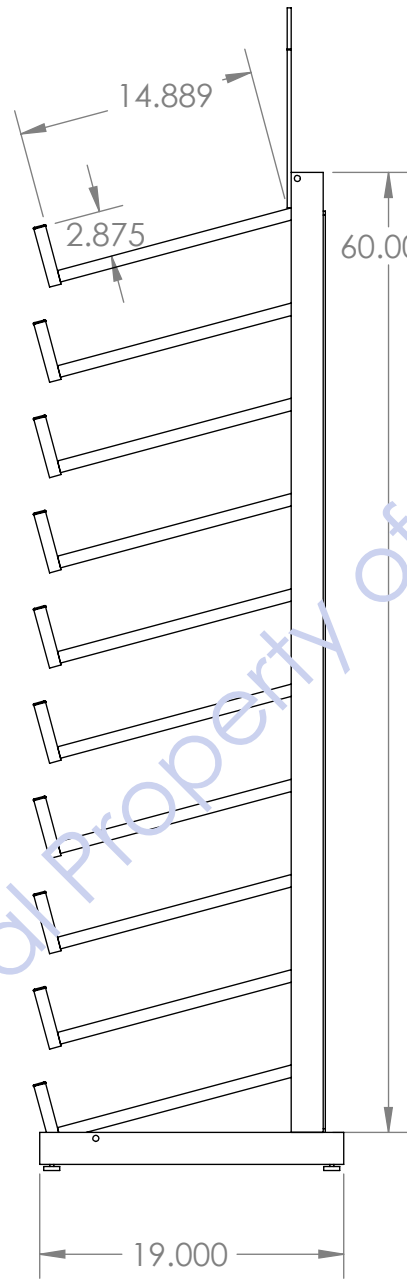
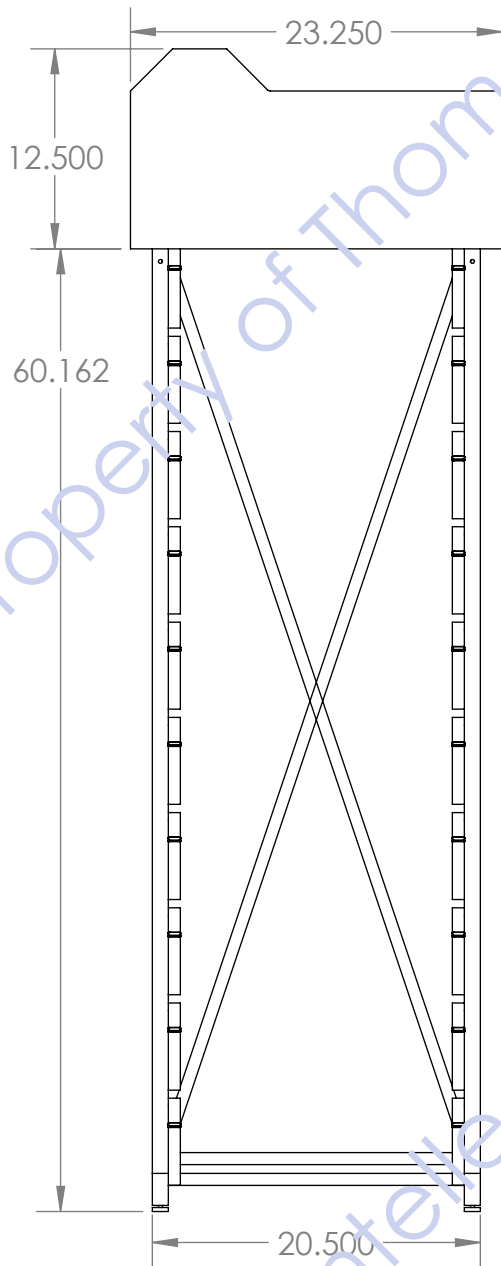


ALL WELDED STEEL CONSTRUCTION  
INCLUDES STRUCTURAL "X" BRACE IN BACK  
BLACK TEXTURED POWDERCOAT FINISH

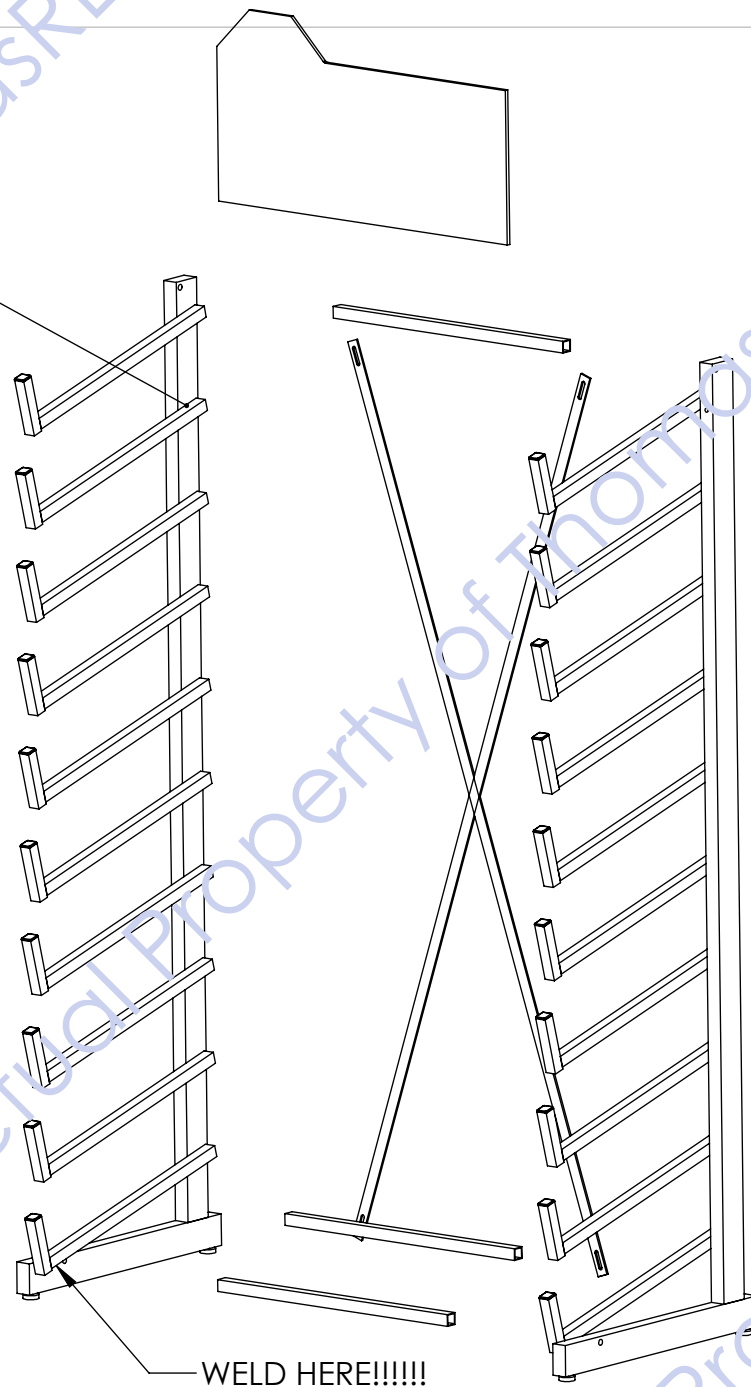


APMS ARE 3/4" SQUARE TUBING

1X2 TUBING

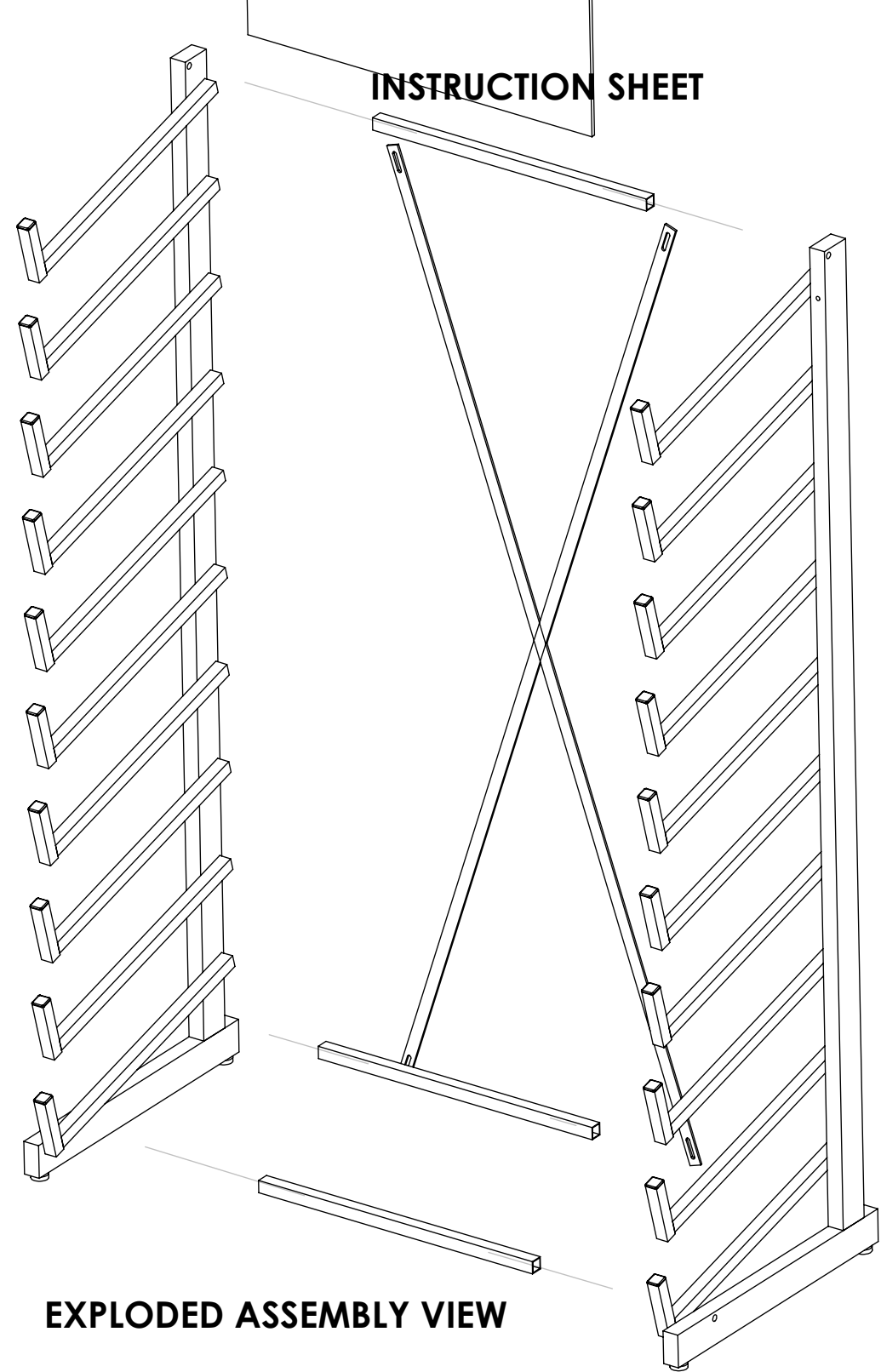


HEAVY MIG WELD



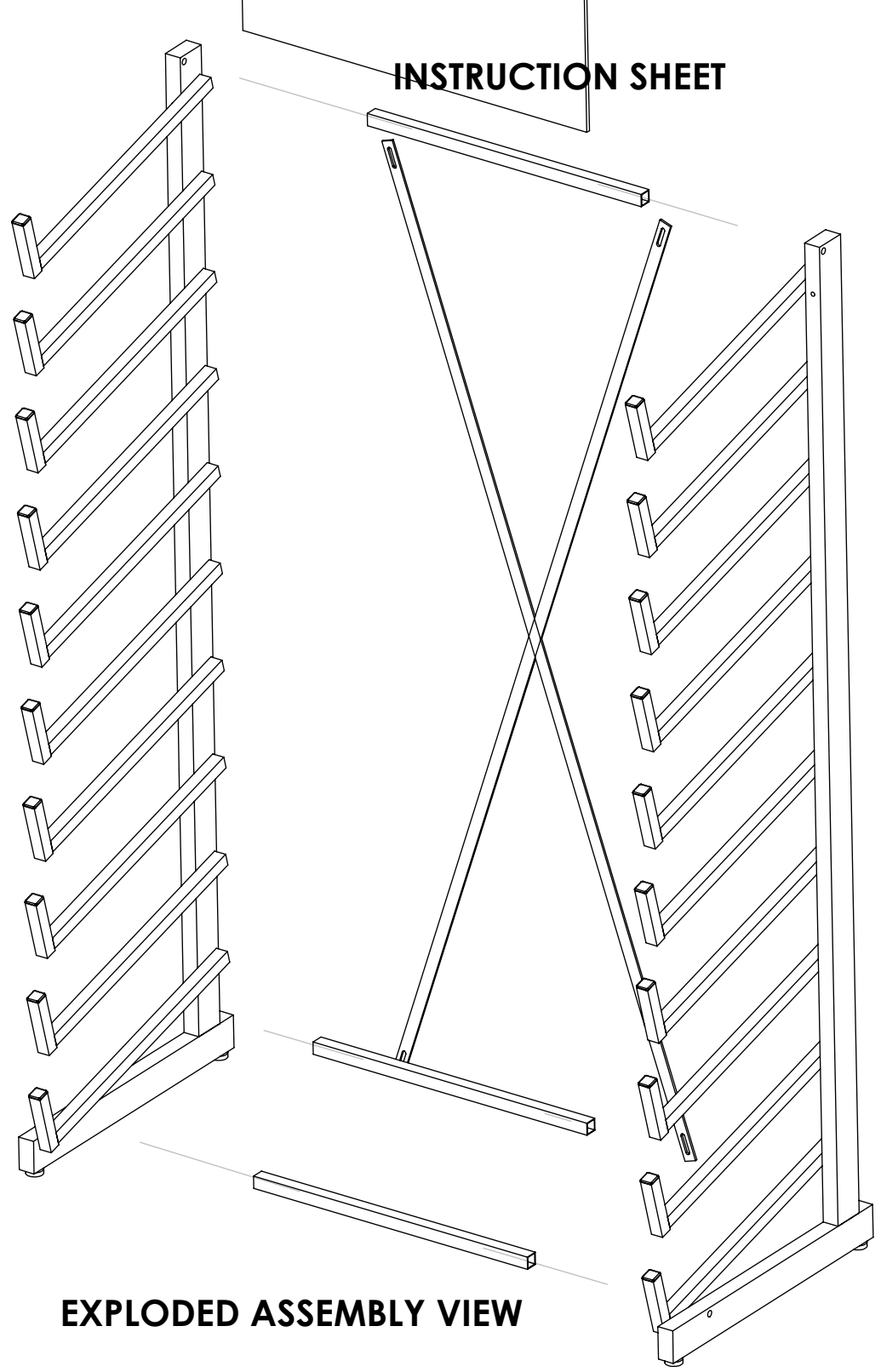
WELD HERE!!!!!!

**INSTRUCTION SHEET**



**EXPLODED ASSEMBLY VIEW**

**INSTRUCTION SHEET**



**EXPLODED ASSEMBLY VIEW**