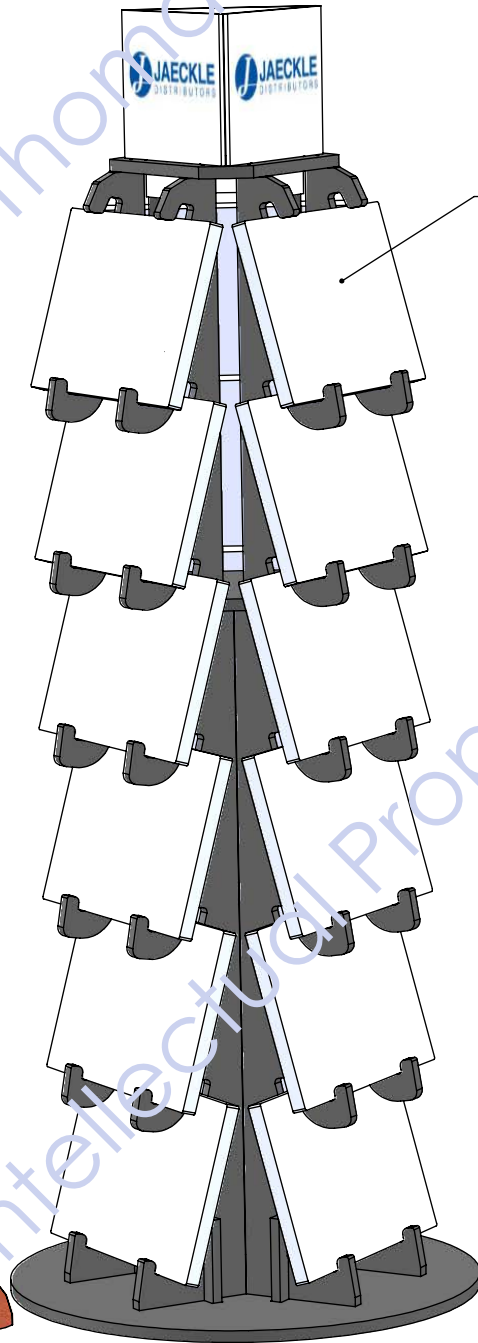
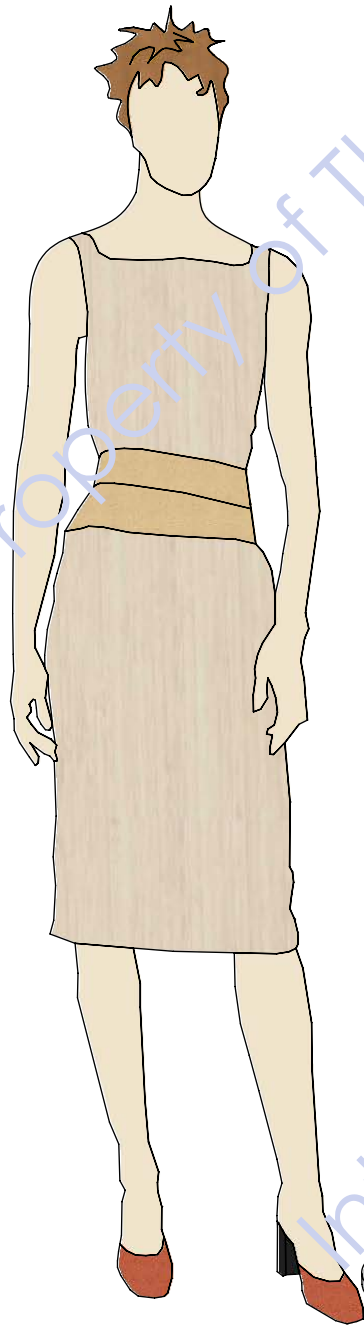
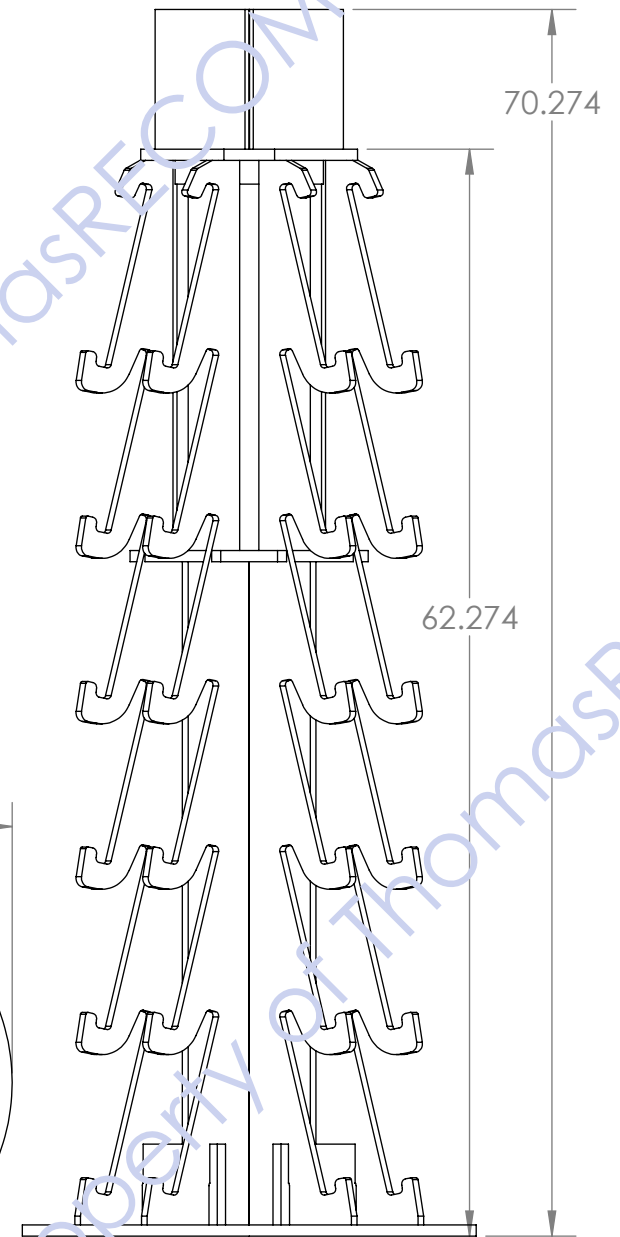
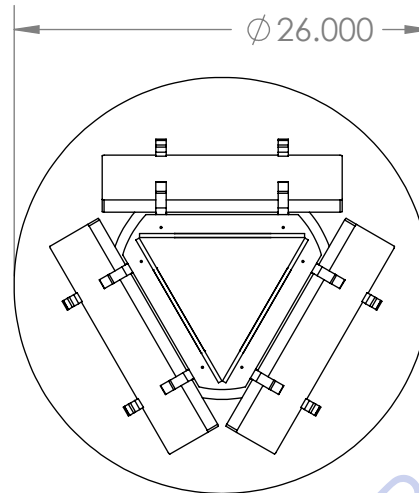


Back



10X15X20MM



VIEW FACING ONE SIDE  
OF SAMPLES STRAIGHT ON

