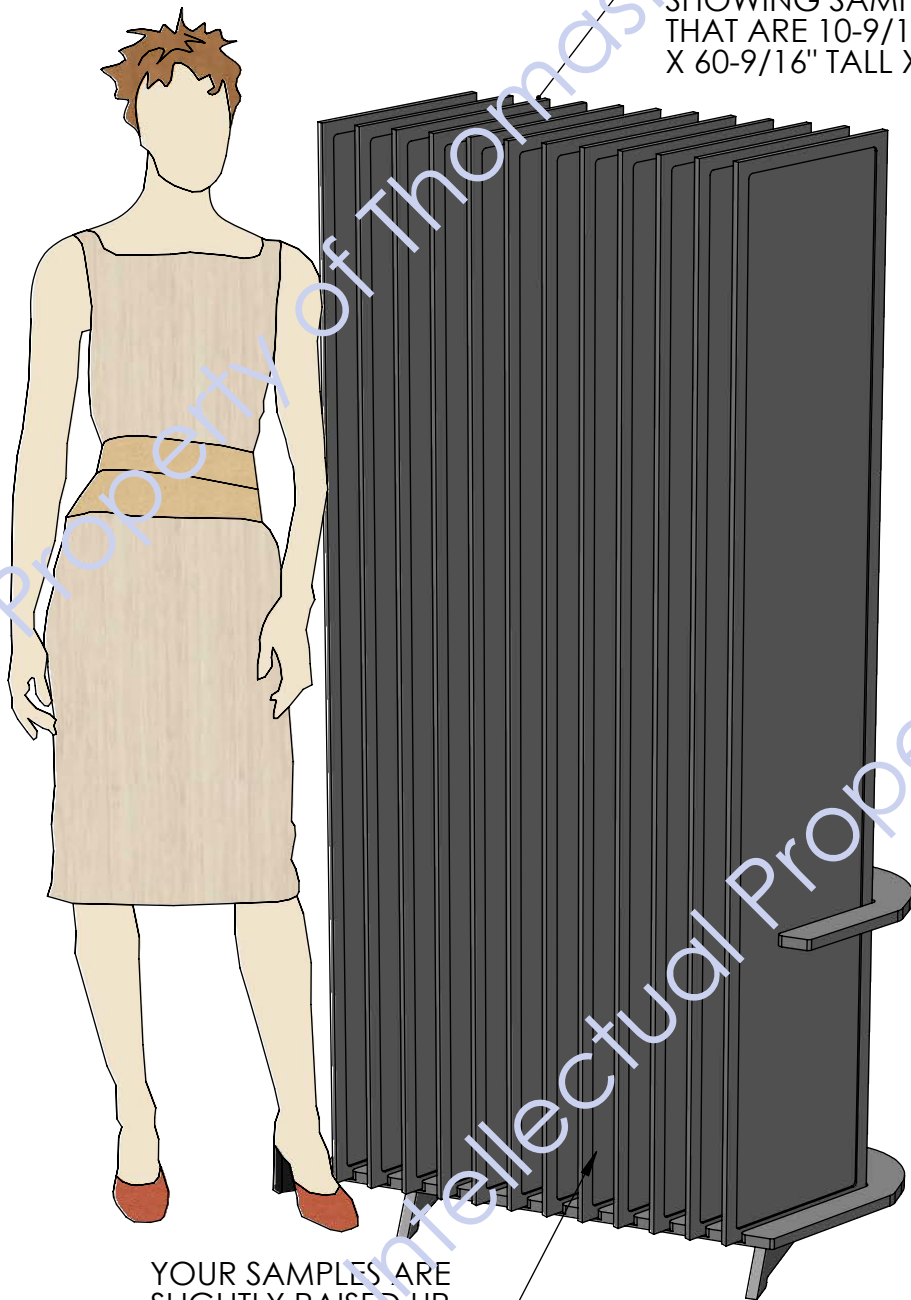
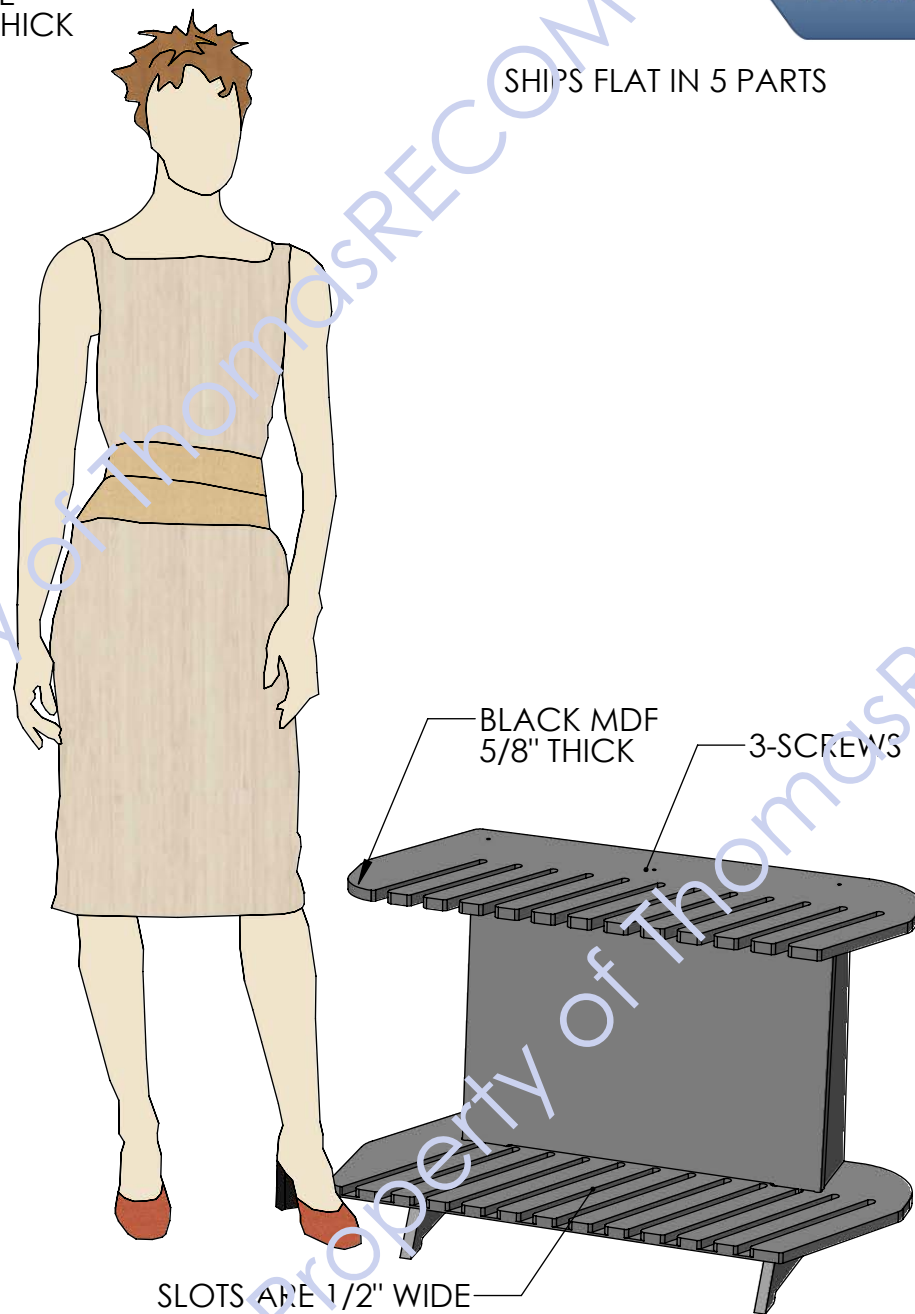


SHOWING SAMPLES
THAT ARE 10-9/16" WIDE
X 60-9/16" TALL X 3/8" THICK

SHIPS FLAT IN 5 PARTS



YOUR SAMPLES ARE
SLIGHTLY RAISED UP
OFF THE FLOOR



BLACK MDF
5/8" THICK

3-SCREWS

SLOTS ARE 1/2" WIDE

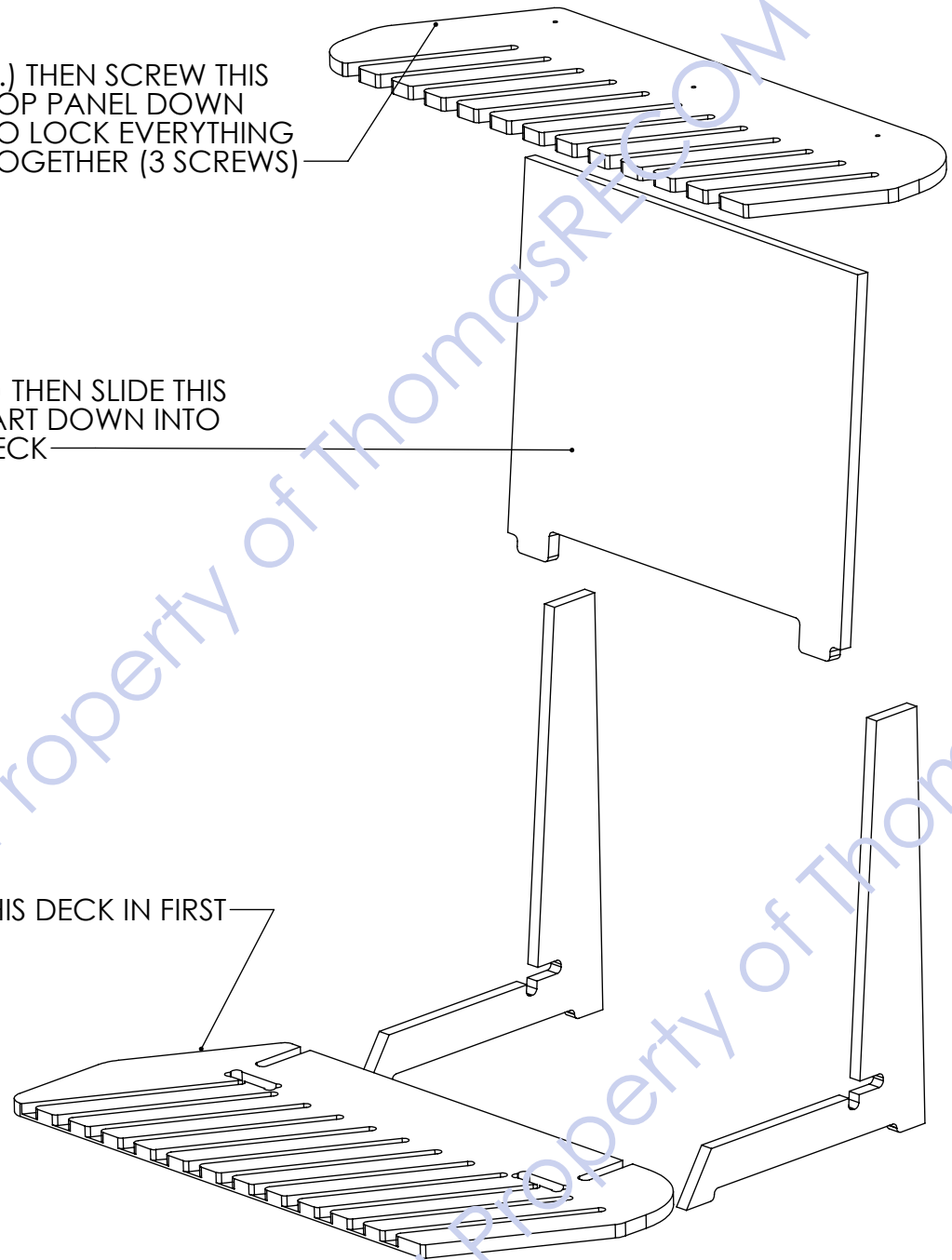
DISPLAY SHIPS FLAT IN 5 PARTS

5/8" THICK
BLACK MDF

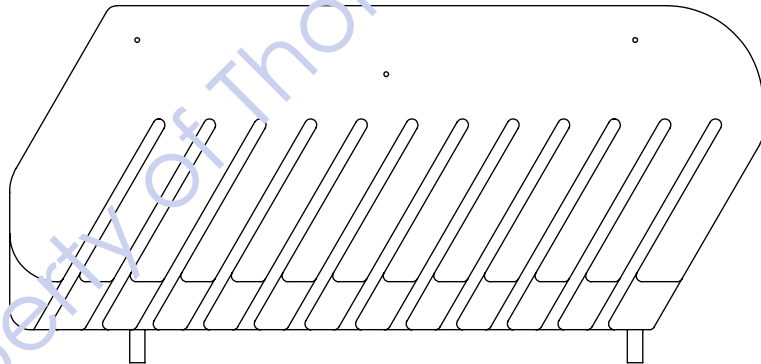
3.) THEN SCREW THIS
TOP PANEL DOWN
TO LOCK EVERYTHING
TOGETHER (3 SCREWS)

2.) THEN SLIDE THIS
PART DOWN INTO
DECK

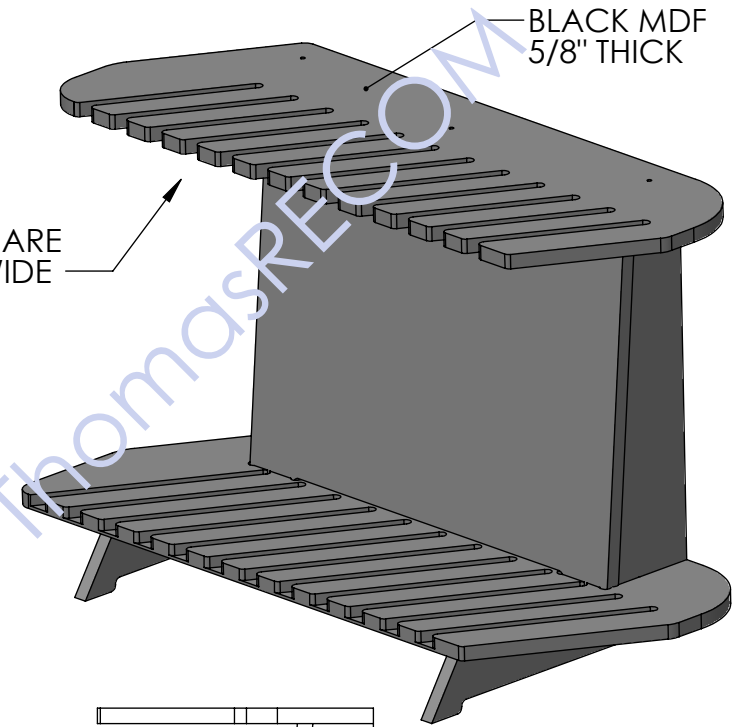
1.) SLIDE THIS DECK IN FIRST



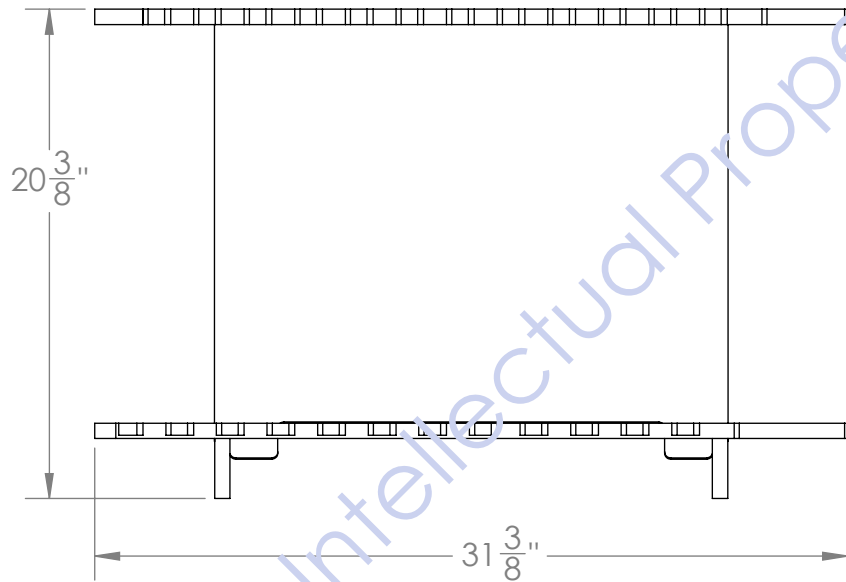
TOP VIEW



SLOTS ARE 1/2" WIDE



FRONT VIEW



SIDE VIEW

