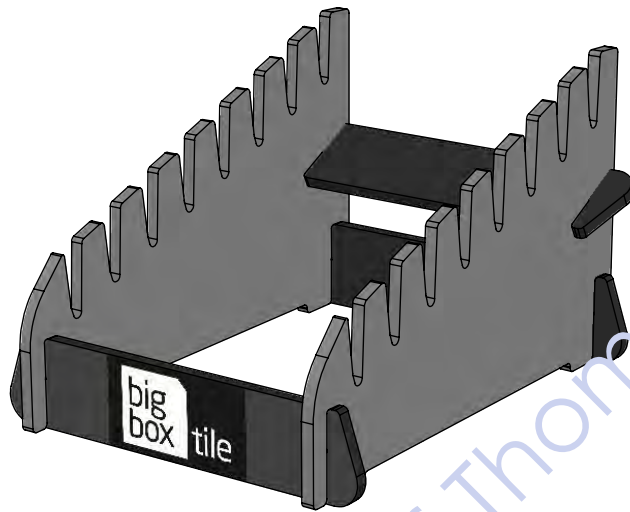
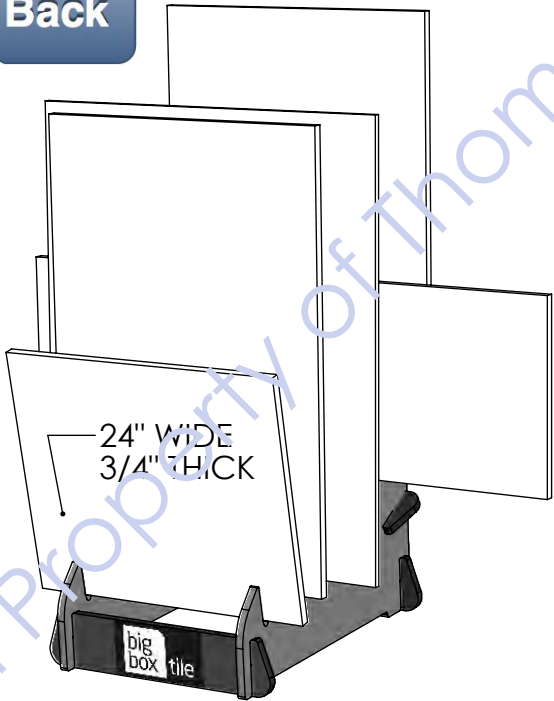


Back



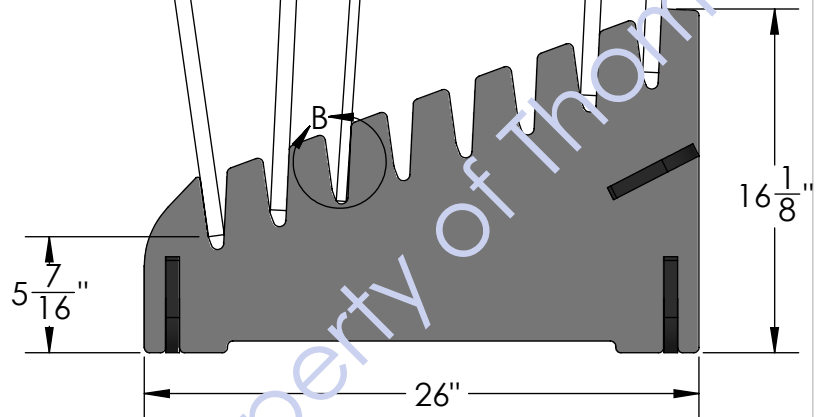
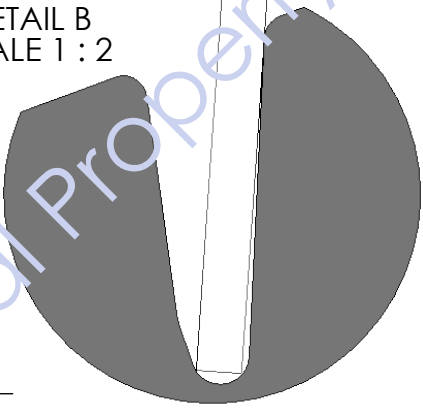
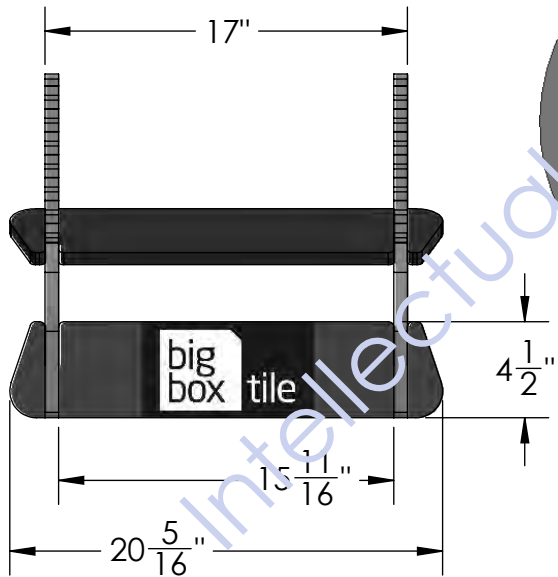
$\frac{3}{4}$ "

$\frac{1}{2}$ "

$\frac{3}{4}$ "

.472

DETAIL B  
SCALE 1 : 2



REVISED SLOT ANGLE AS OF 5-5-20  
REVISED WIDTH DOWN TO 17" AS OF 1-4-22