

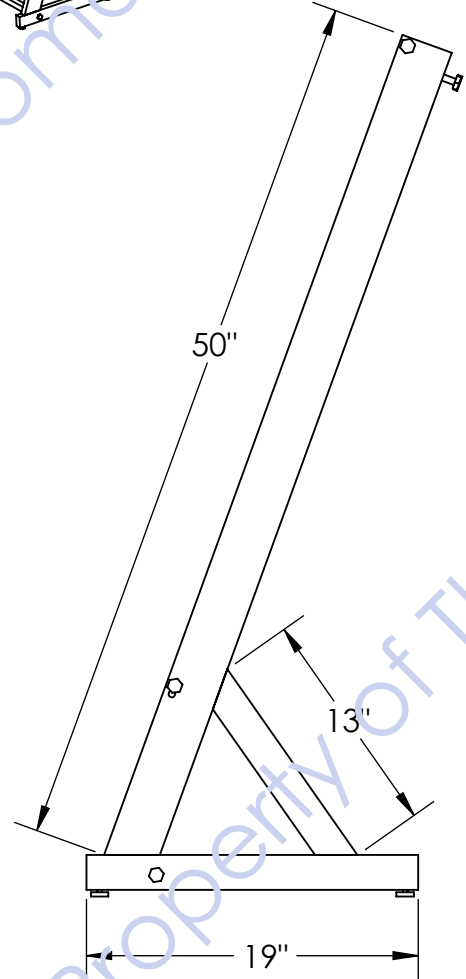
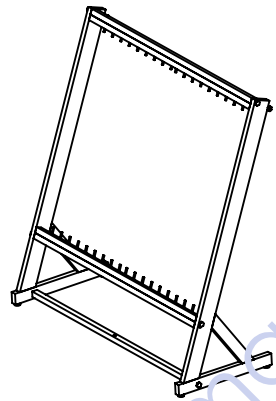
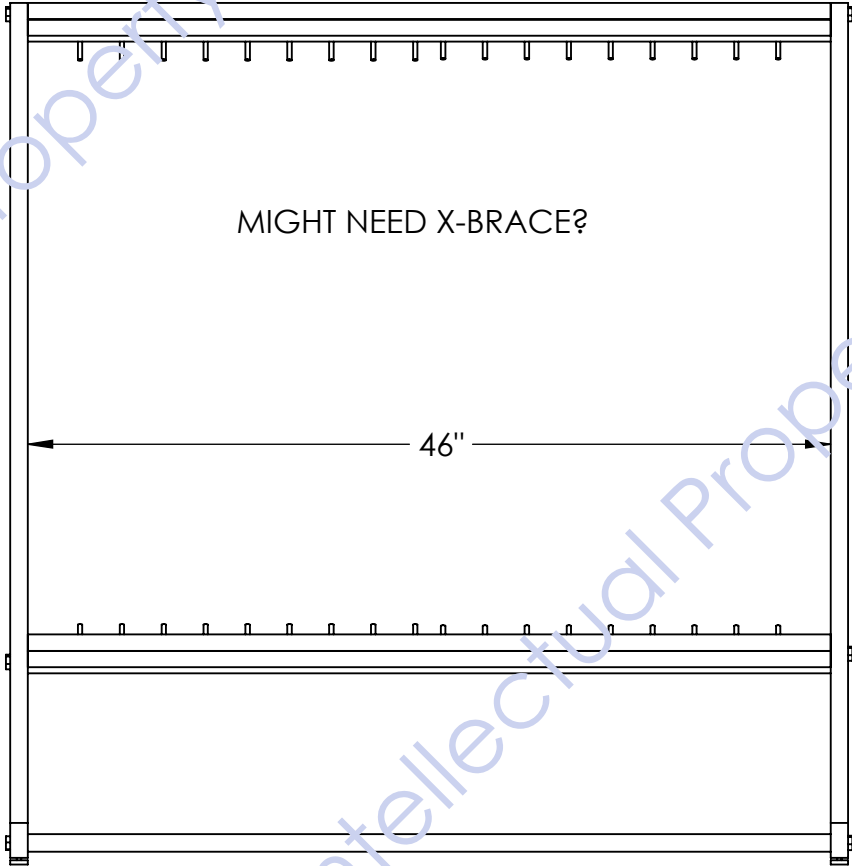


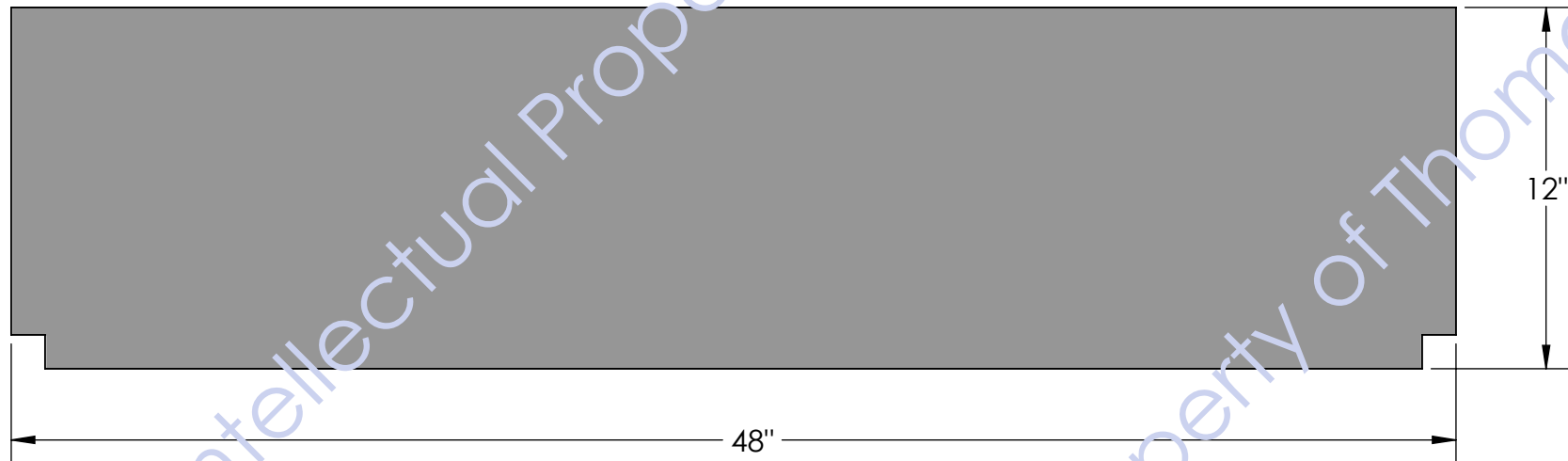
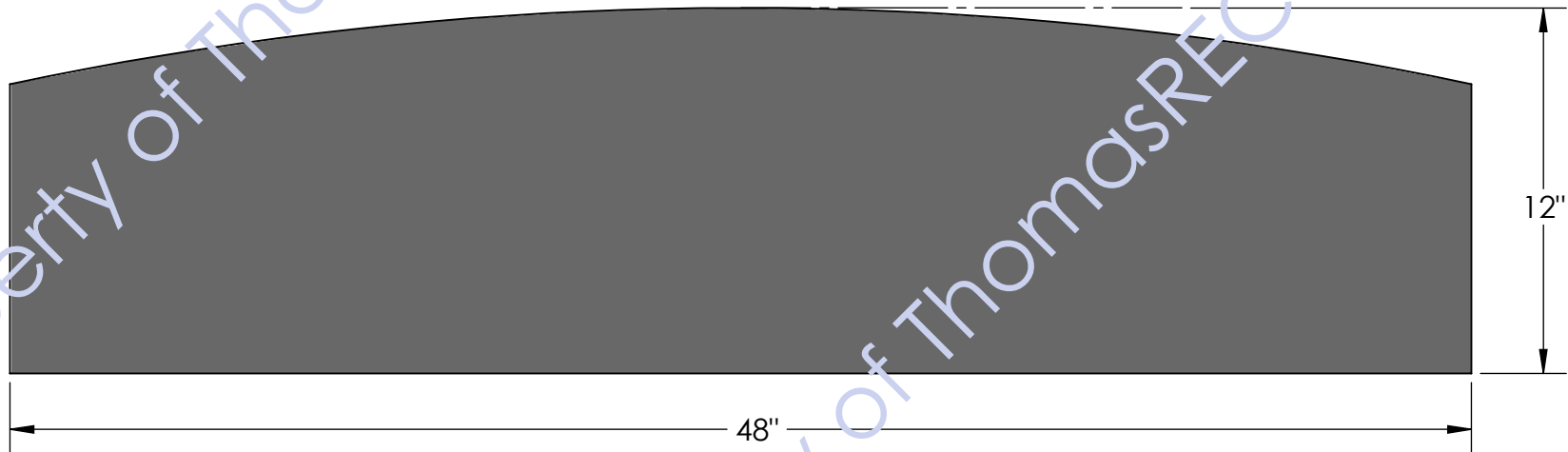
TYPICAL SAMPLE WILL BE 1/2" THICK MOUNTED TO 1/4" RIGID BOARD. PLASTIC EXTRUSION IS MOUNTED TO EDGE AND PROVIDES THE HINGE ACTION WHEN MOUNTED ON HINGE PINS OF DISPLAY

PLASTIC EXTRUSION

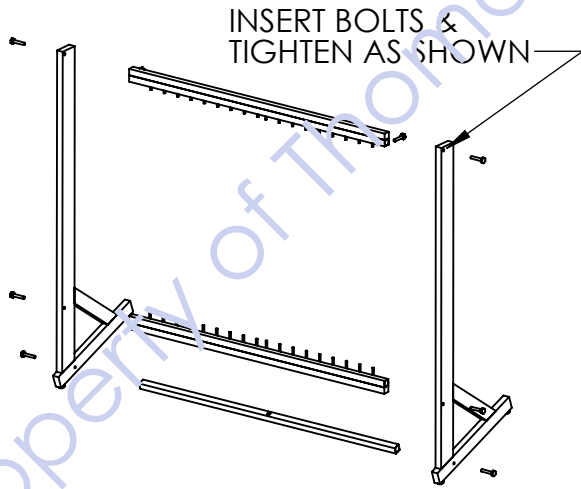


(2) CARDS WILL ALSO HAVE THE PLASTIC EXTRUSION AND THESE WILL HAVE PRODUCT INFO APPLIED THESE WILL BE INSTALLED IN THE CENTER (2) PIN LOCATIONS

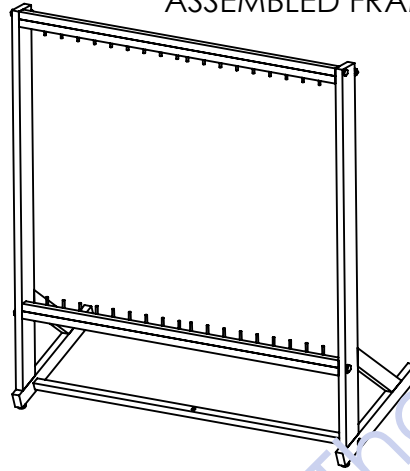




INSTRUCTION SHEET,



ASSEMBLED FRAME



INCOMPLETE

