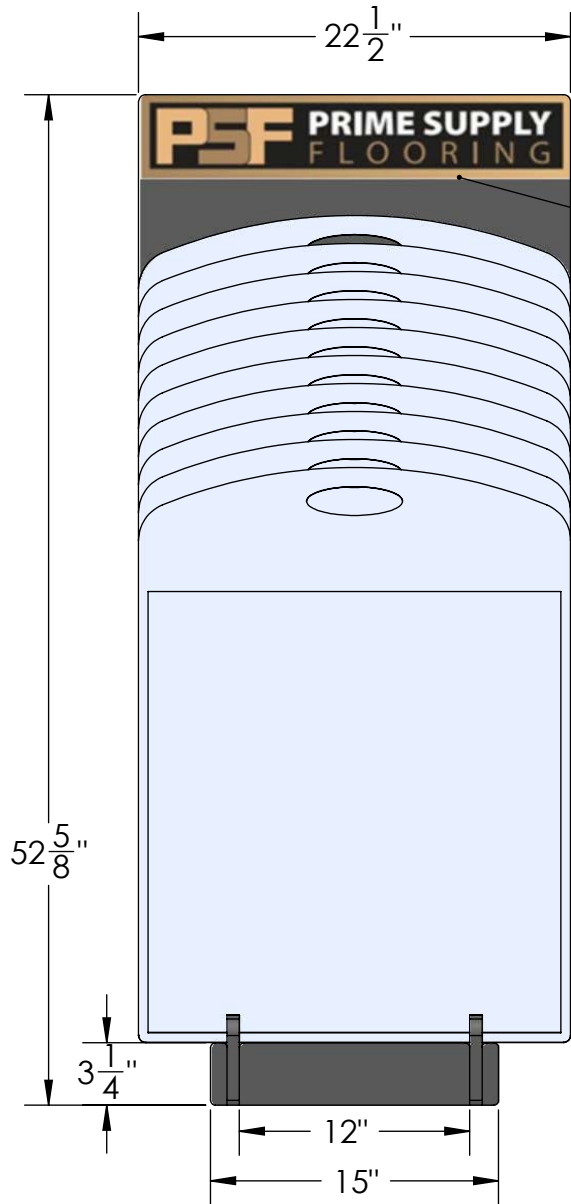
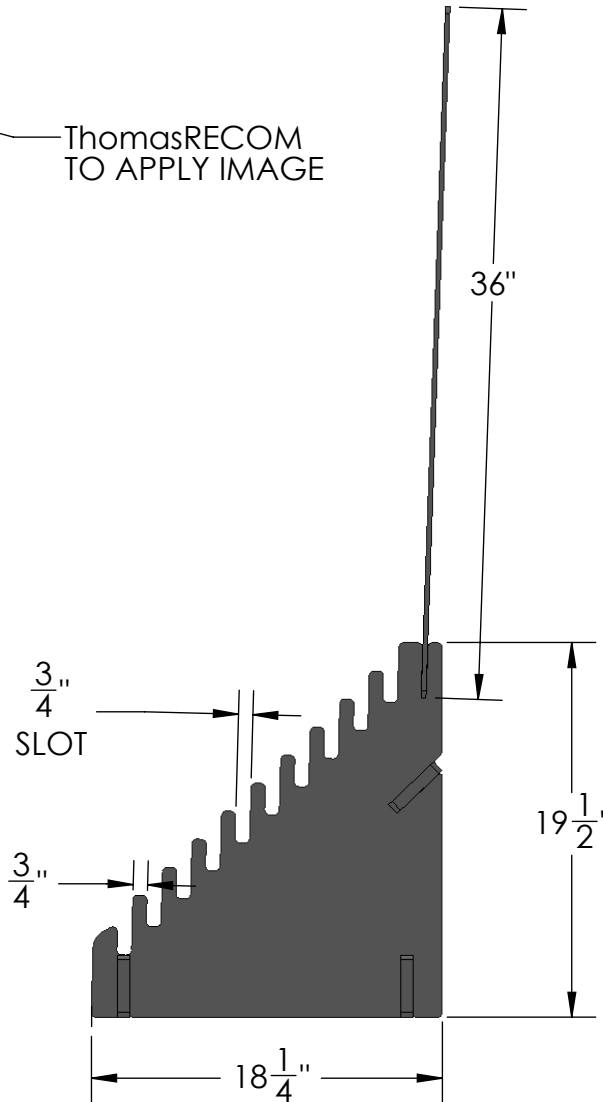


Back

# SLOTS 3/4"



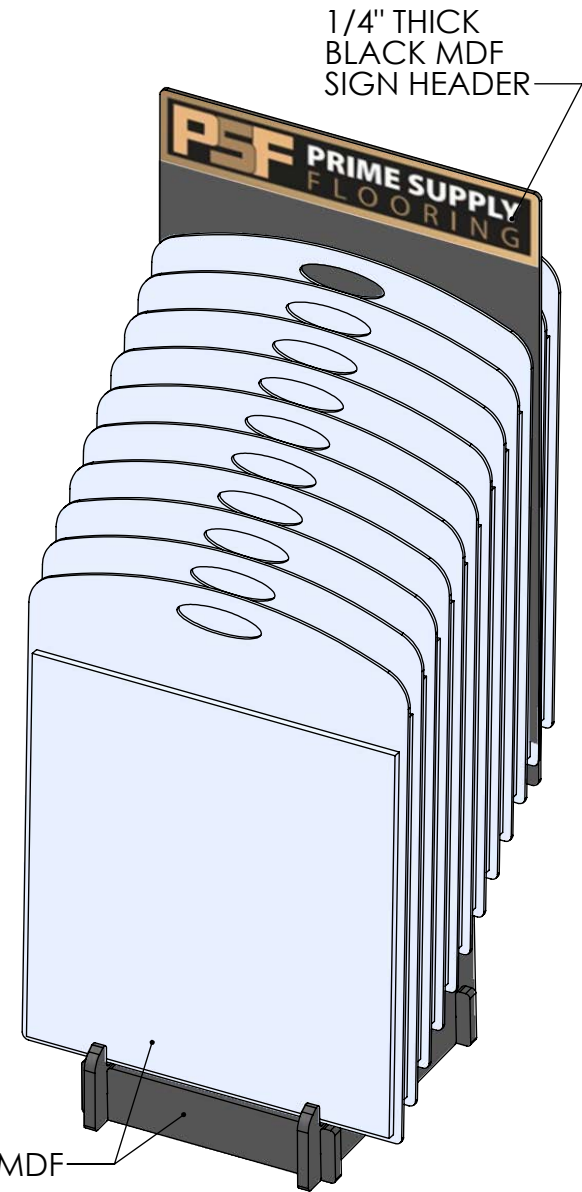
ThomasRECOM  
TO APPLY IMAGE



$\frac{3}{4}$ "  
SLOT

$\frac{3}{4}$ "

5/8" THICK BLACK MDF



1/4" THICK  
BLACK MDF  
SIGN HEADER

