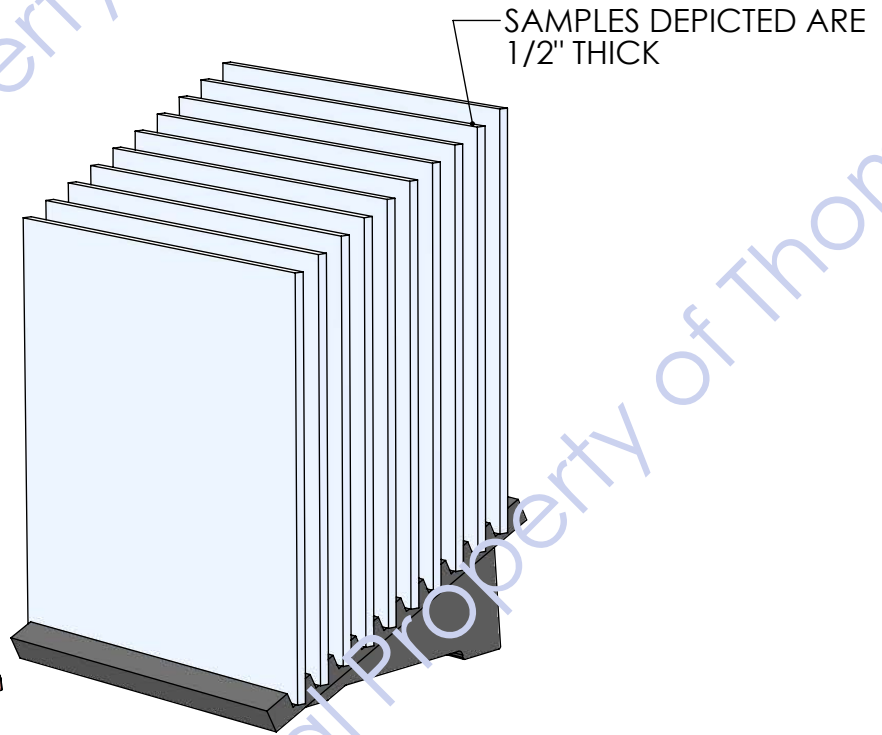


Back



SAMPLES DEPICTED ARE
1/2" THICK

