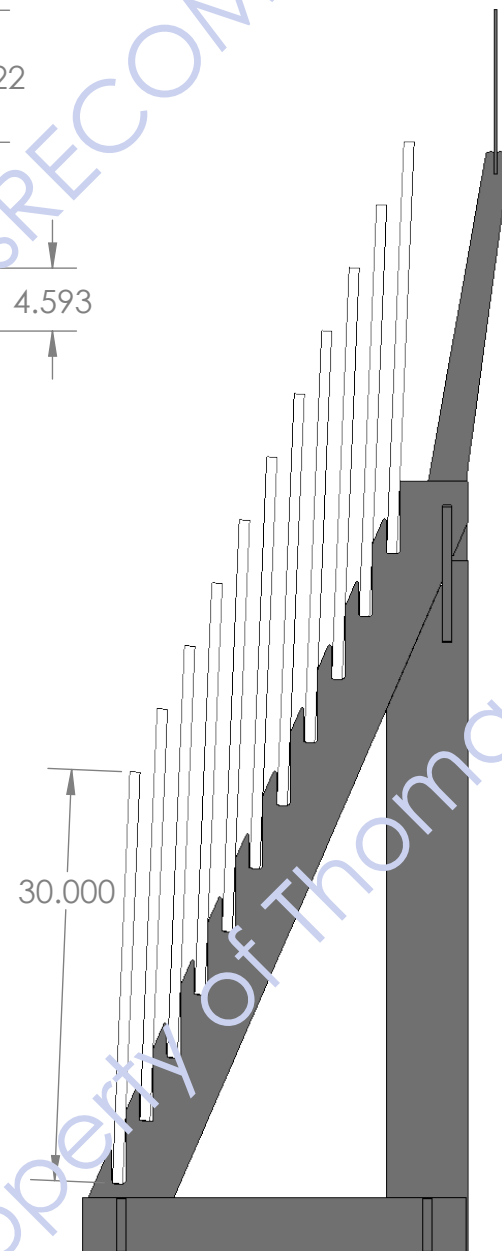
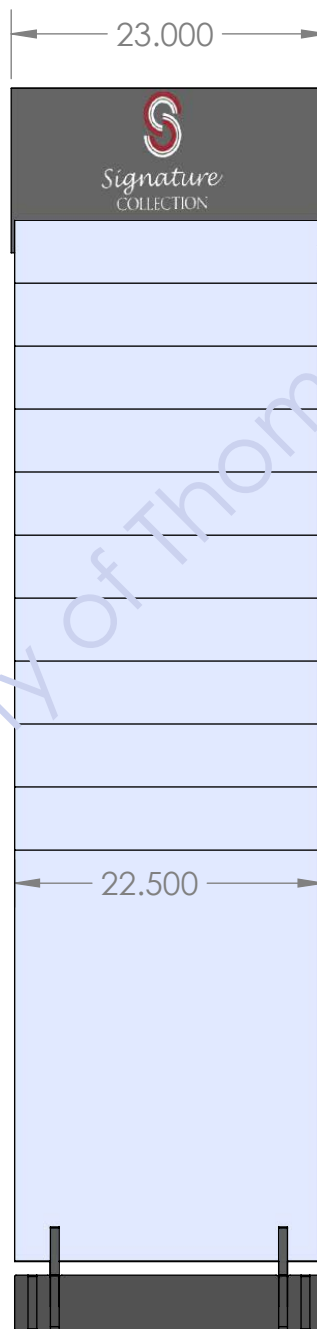
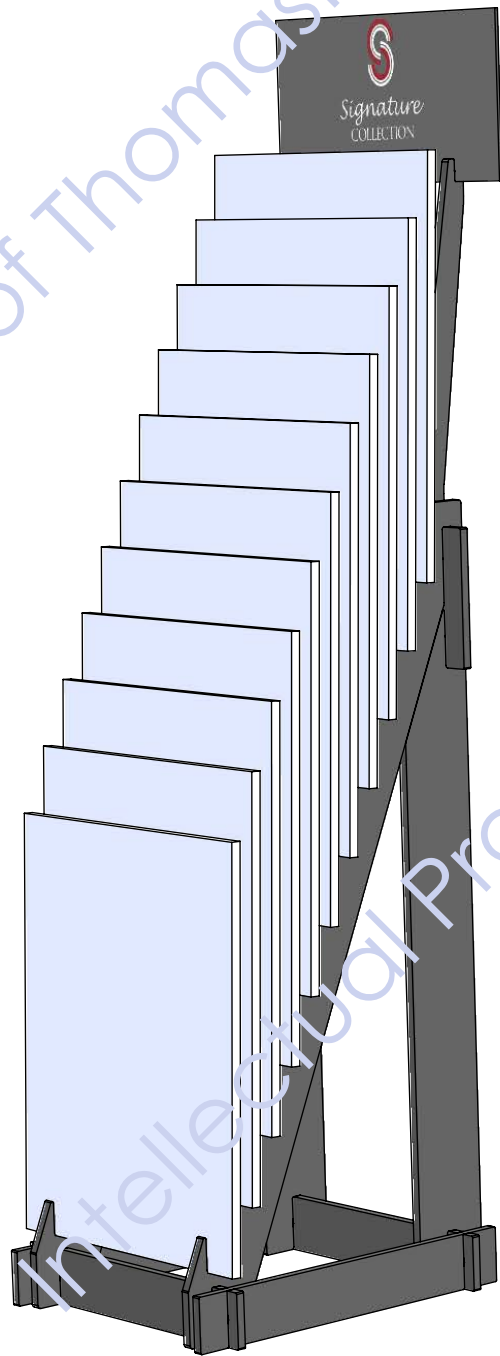
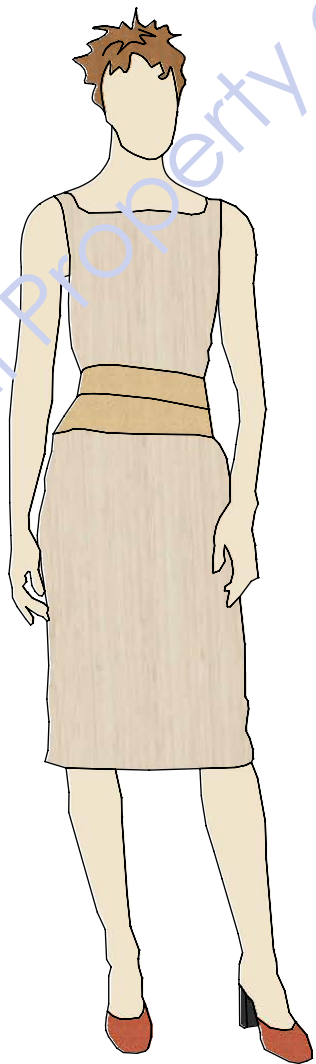
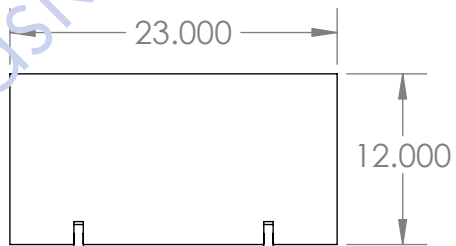


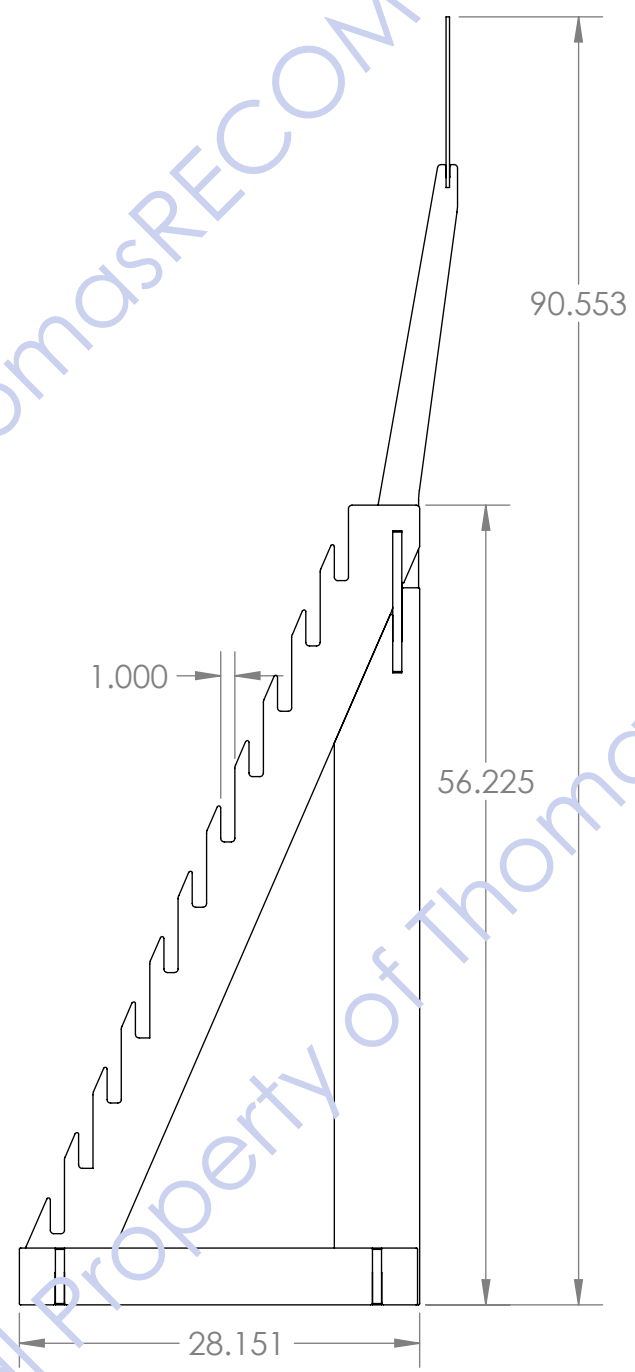
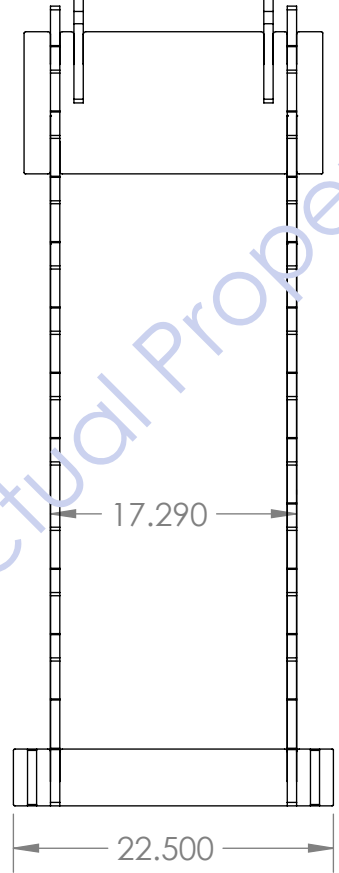
Back



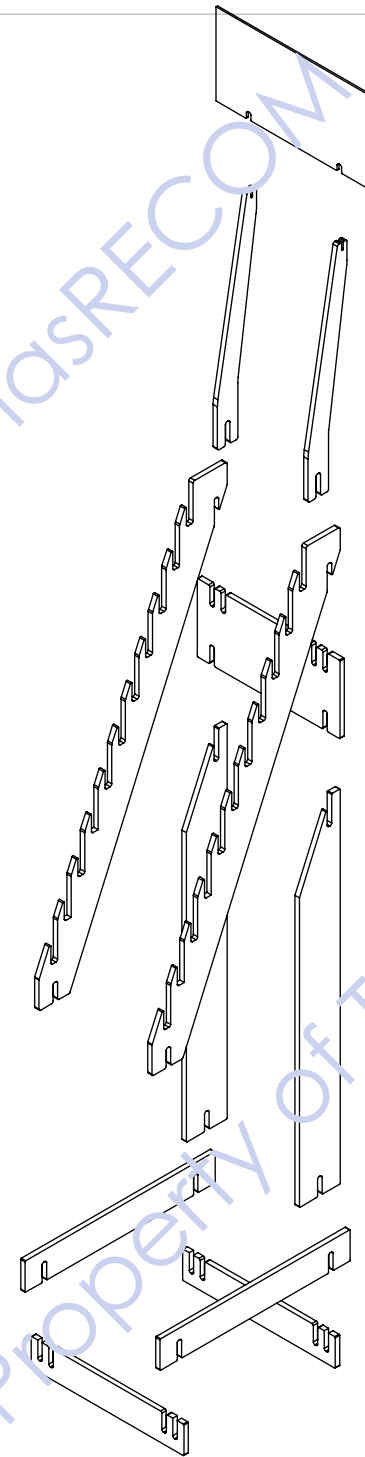


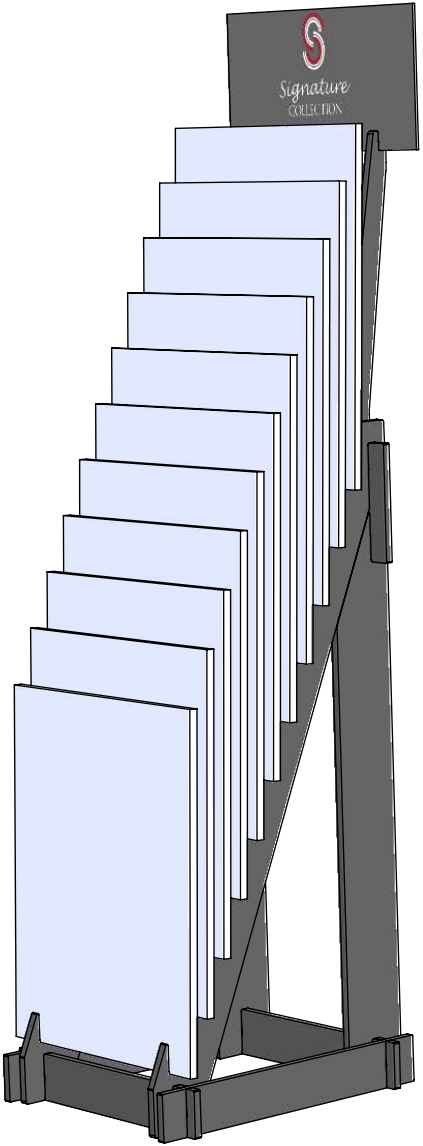
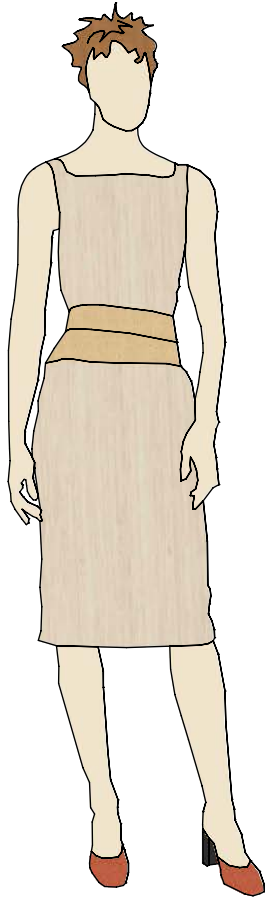
SIGN HEADER IS 1/4" THICK BLACK MDF WITH BLACK PAINTED EDGES

MAIN STRUCTURE IS ALL BLACK 5/8" THICK MDF



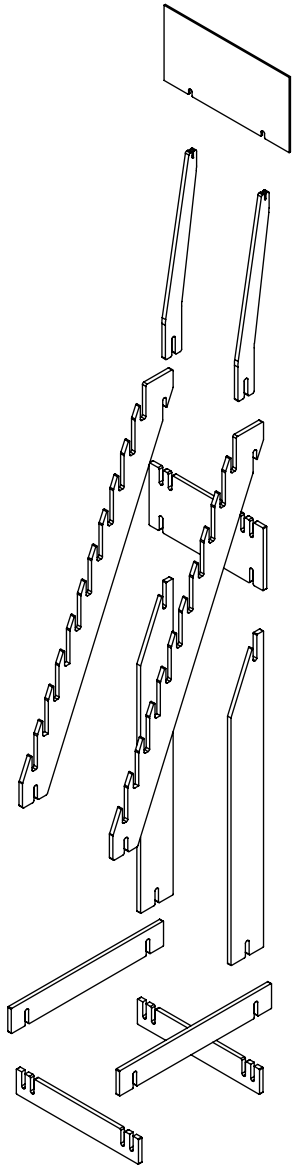
# ALL SLIP TOGETHER DESIGN NO TOOLS REQUIRED





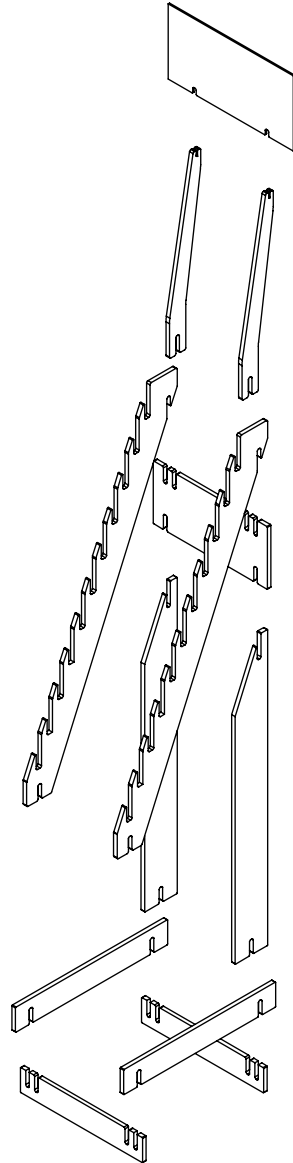
**ASSEMBLY INSTRUCTIONS**

ALL SLIP TOGETHER  
DESIGN NO TOOLS  
REQUIRED



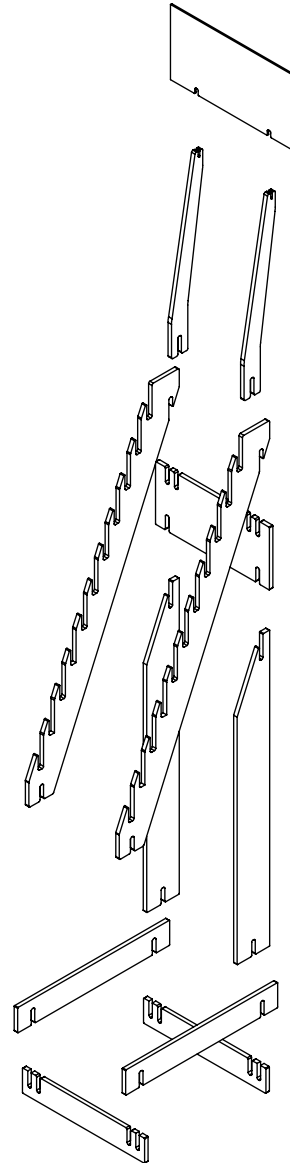
**ASSEMBLY INSTRUCTIONS**

ALL SLIP TOGETHER  
DESIGN NO TOOLS  
REQUIRED



**ASSEMBLY INSTRUCTIONS**

ALL SLIP TOGETHER  
DESIGN NO TOOLS  
REQUIRED



**ASSEMBLY INSTRUCTIONS**

ALL SLIP TOGETHER  
DESIGN NO TOOLS  
REQUIRED

