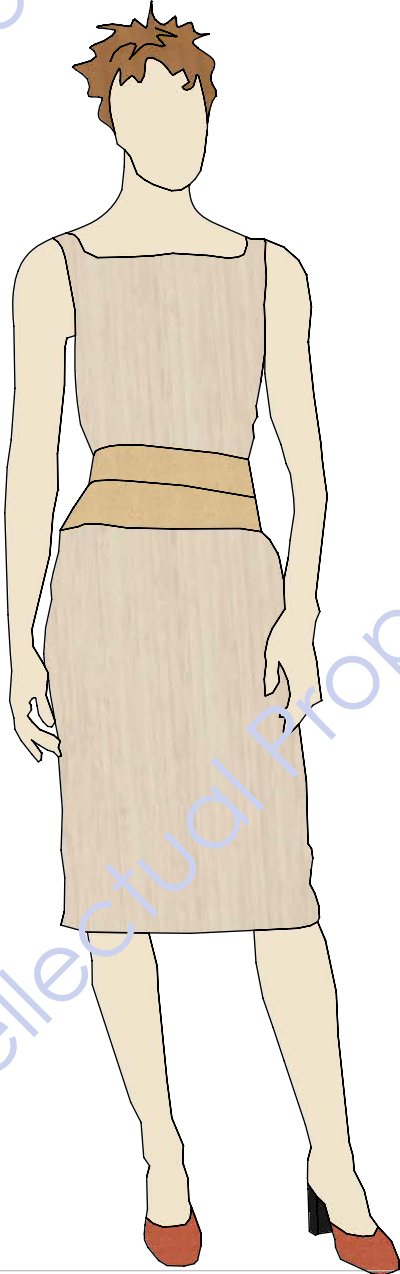
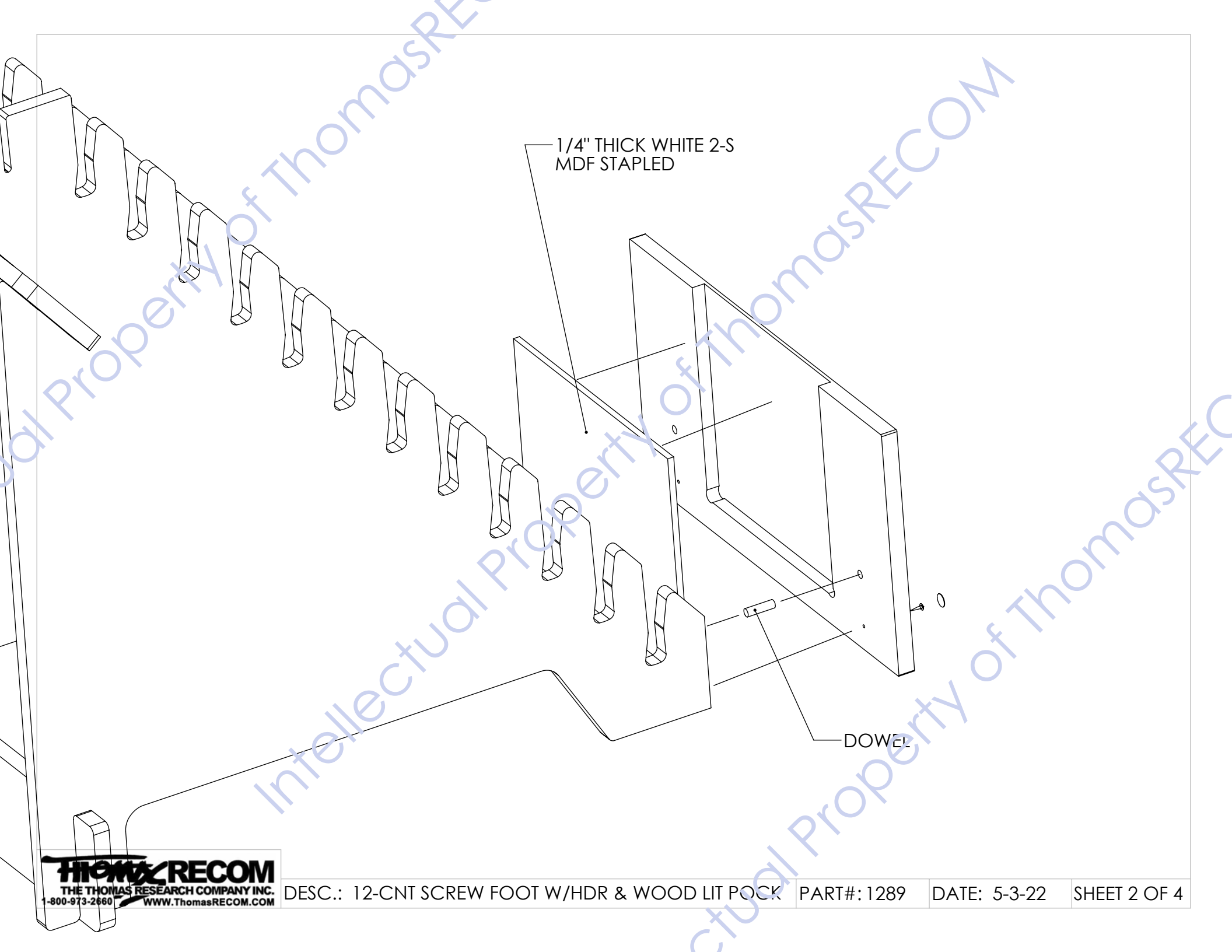


Back



INTEGRAL MAGAZINE POCKET
9" WIDE X 9-5/8" TOP TO BOTTOM
X 1/2" THICK

SCREEN-PRINT LOGO

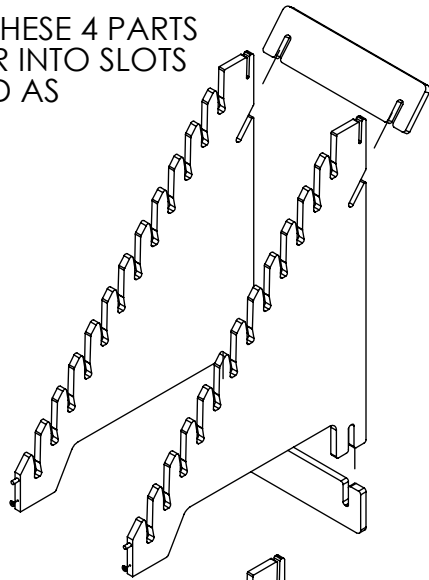


1/4" THICK WHITE 2-S
MDF STAPLED

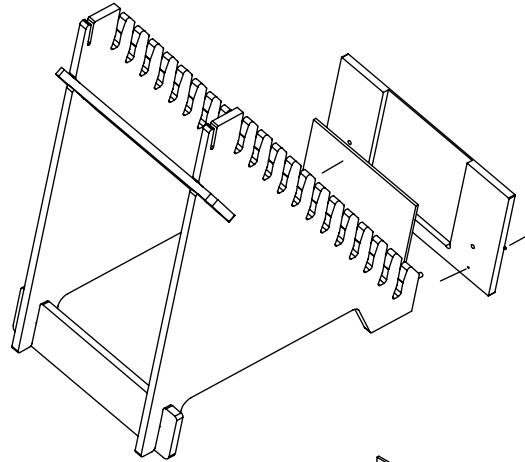
DOWEL

ASSEMBLY INSTRUCTIONS

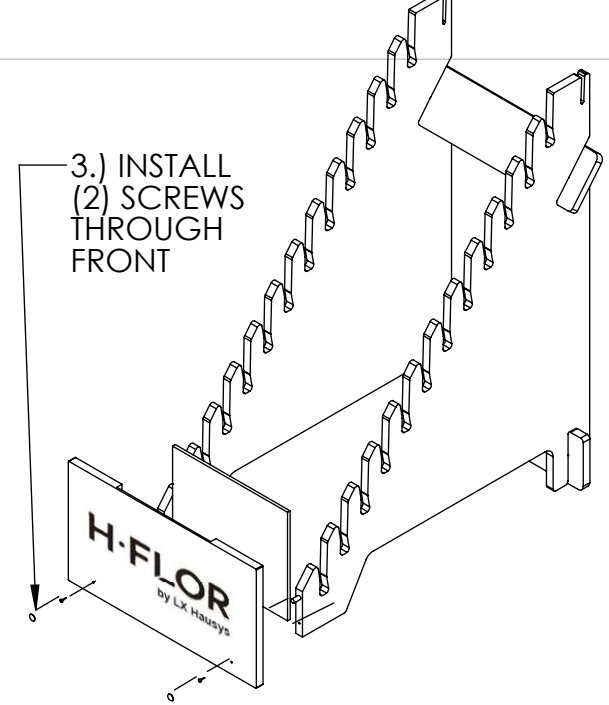
1.) SLIDE THESE 4 PARTS TOGETHER INTO SLOTS PROVIDED AS SHOWN



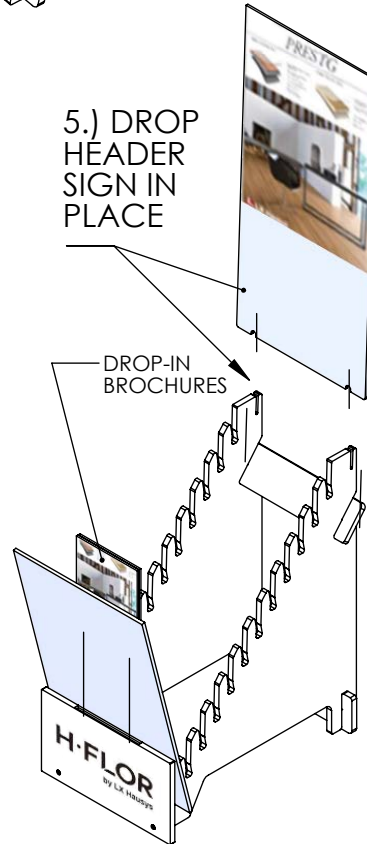
2.) PUSH FRONT PANEL IN PLACE



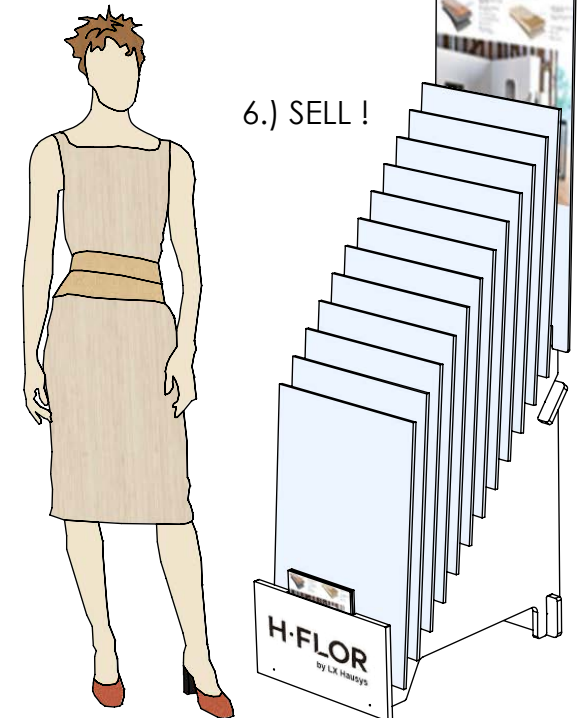
3.) INSTALL (2) SCREWS THROUGH FRONT



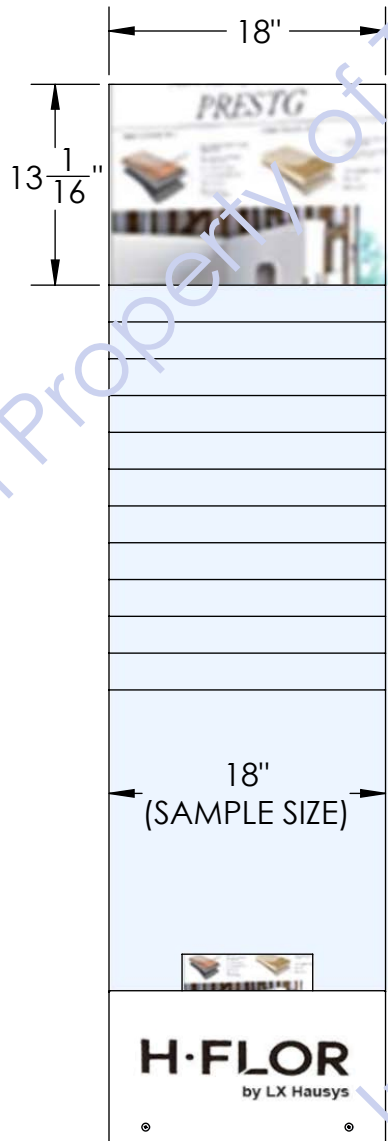
5.) DROP HEADER SIGN IN PLACE



6.) SELL !



4.) APPLY COVERS OVER SCREW HEADS



SIGN HEADER PANEL,
ThomasRECOM TO APPLY
GRAPHICS

