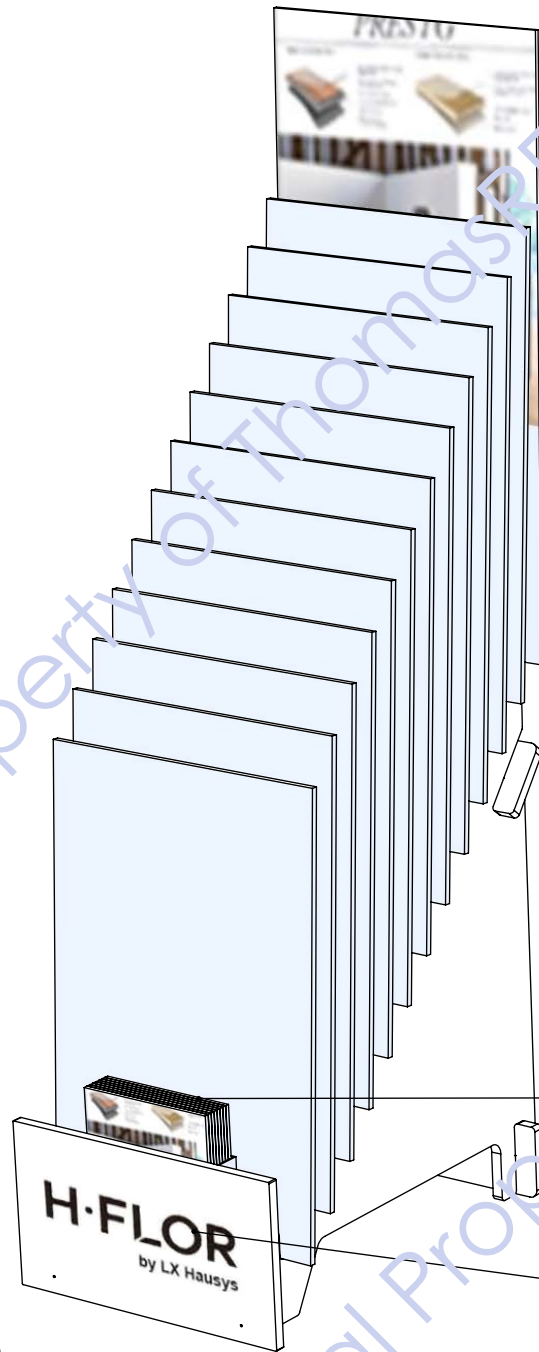


Back



PLASTIC MAGAZINE
POCKET
8-1/2X11X2" THICK

SCREEN-PRINT LOGO



WALL MOUNT FLYER HOLDER

Item Number: HW-488

- Designed To Fit Inserts 8½" wide x 11"high
- Clear Single Pocket Injection Molded Plastic
- Best Seller - Lowest Price

See also: [Countertop Brochure Holders](#)

Product Description

Specifications

One of our most popular literature holders or specifically designed to accommodate 8.5" wide display can holder us to 2" thick full-size mag

Move your mouse over image



PRICING PER PIECE:

MAKE YOUR SELECTION *

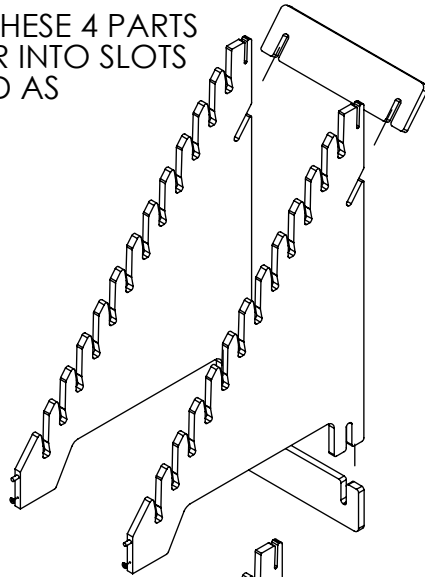
Add Quantity to Shopping Cart

PLASTIC LIT POCKET

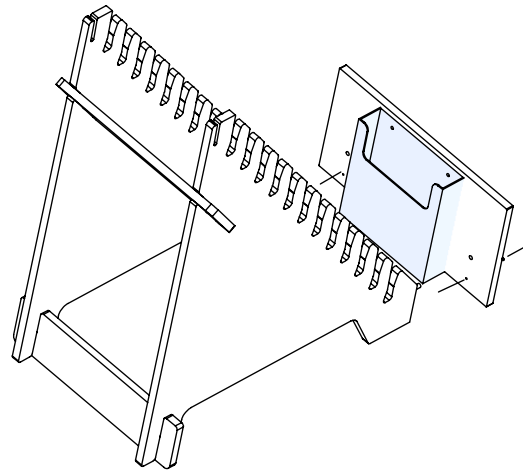
DOWEL

ASSEMBLY INSTRUCTIONS

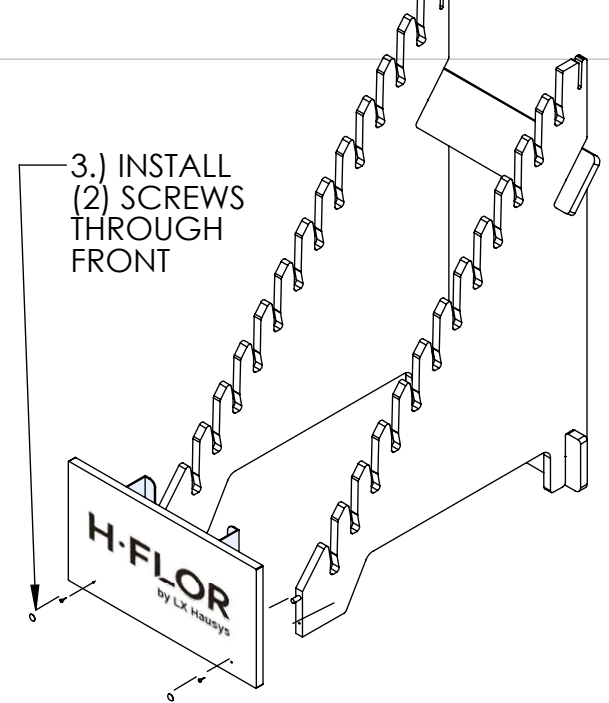
1.) SLIDE THESE 4 PARTS TOGETHER INTO SLOTS PROVIDED AS SHOWN



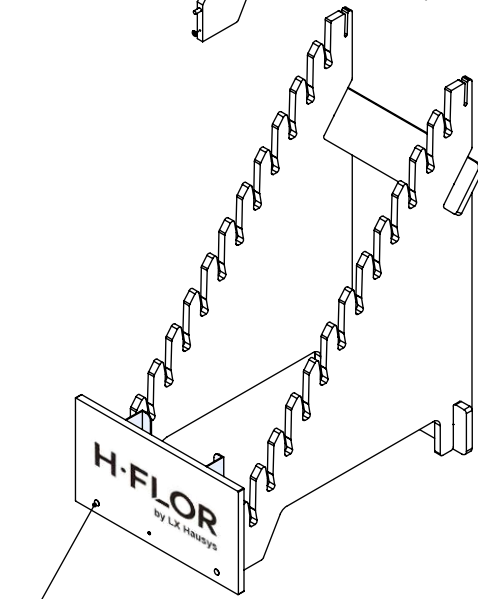
2.) PUSH FRONT PANEL IN PLACE



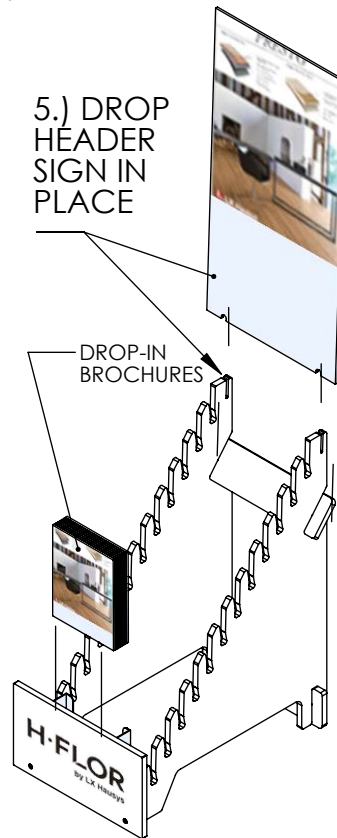
3.) INSTALL (2) SCREWS THROUGH FRONT



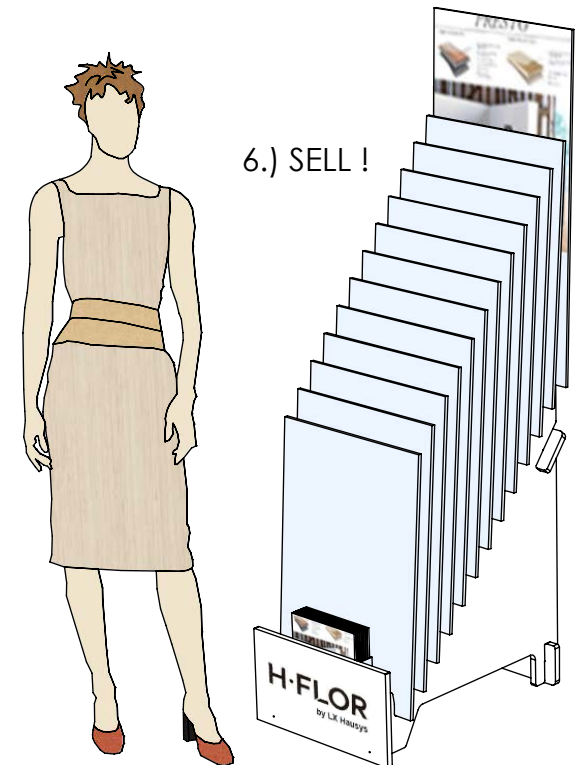
4.) APPLY COVERS OVER SCREW HEADS

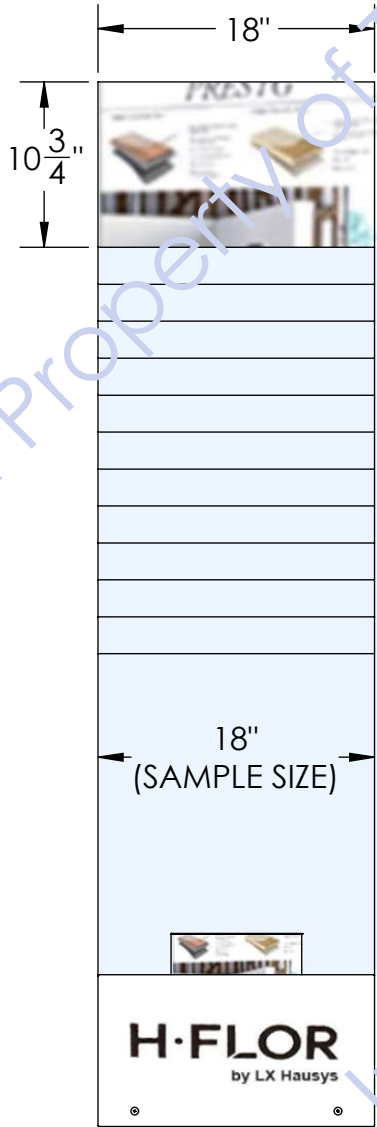


5.) DROP HEADER SIGN IN PLACE



6.) SELL !





SIGN HEADER PANEL,
ThomasRECOM TO APPLY
GRAPHICS

