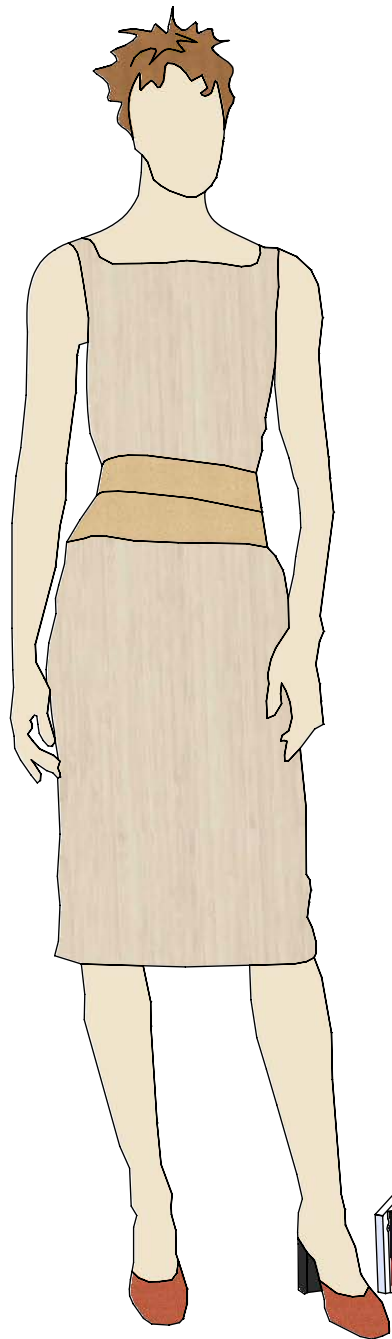
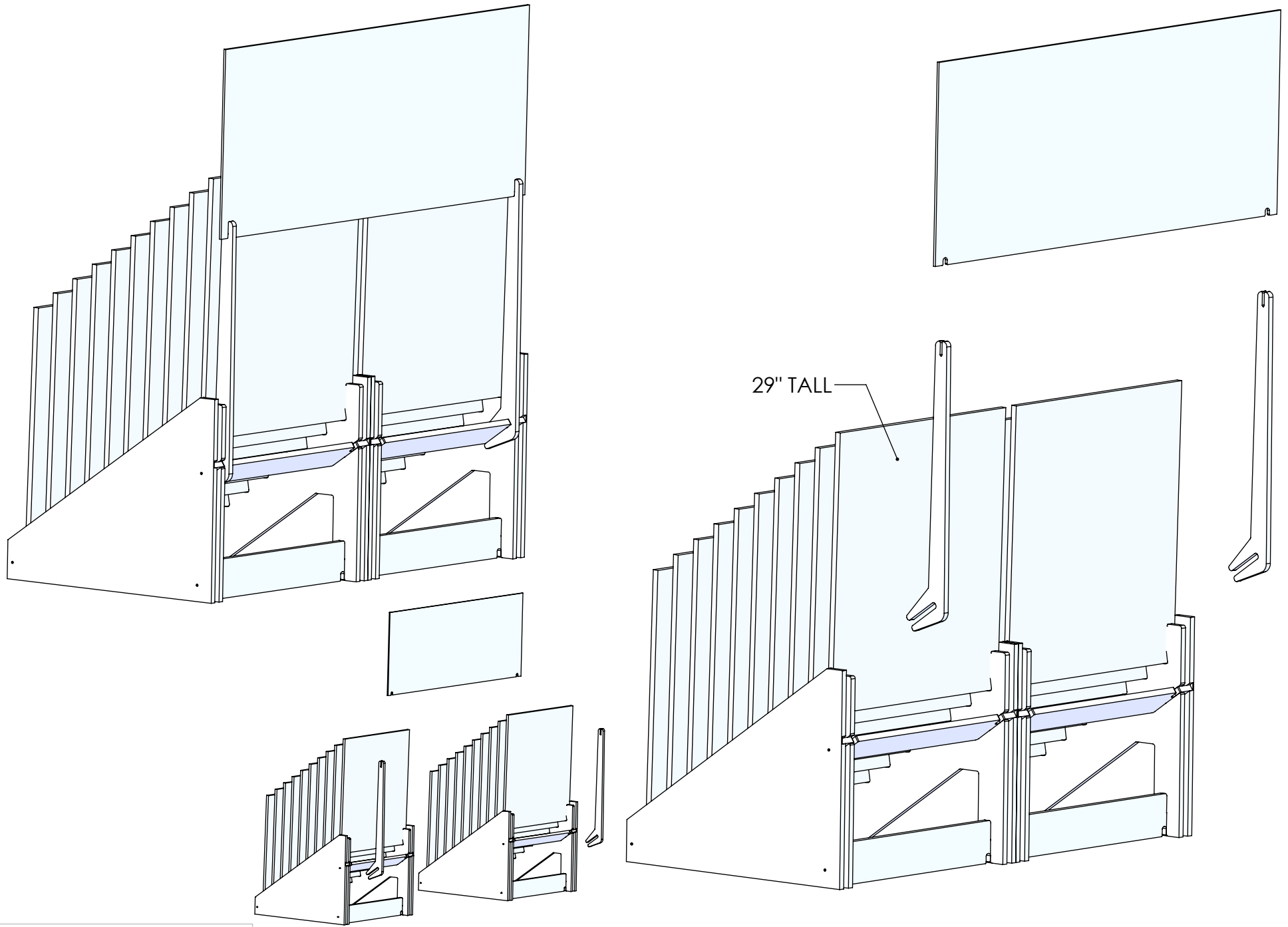
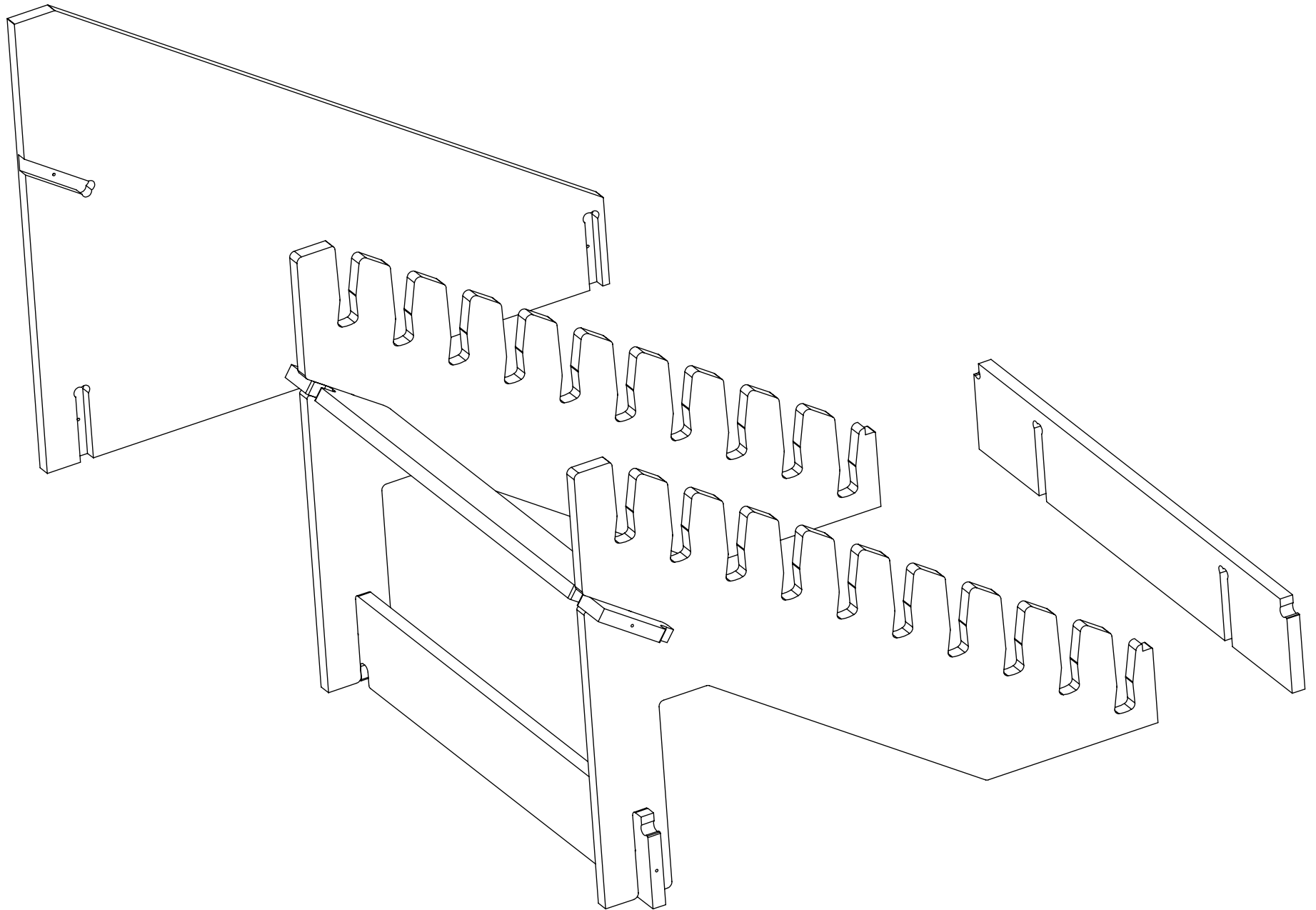


Back

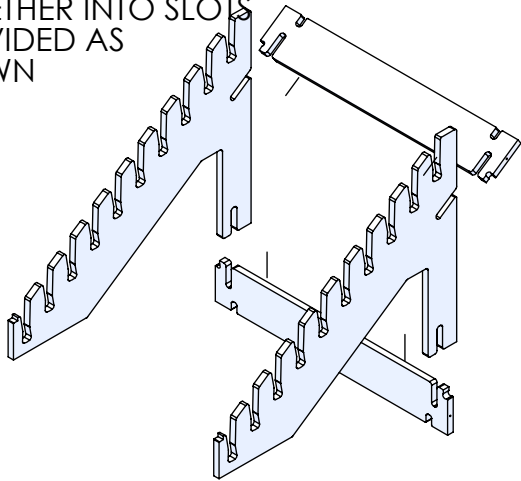




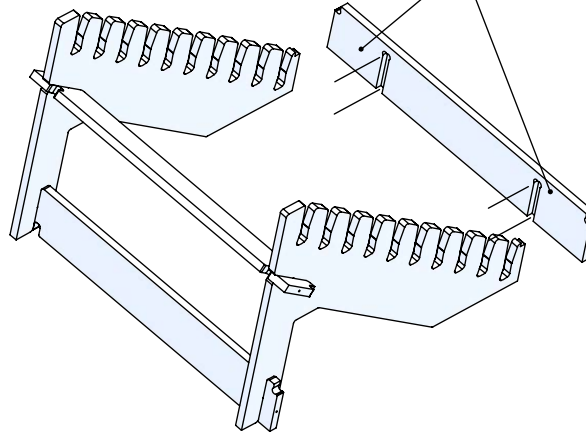


ASSEMBLY INSTRUCTIONS

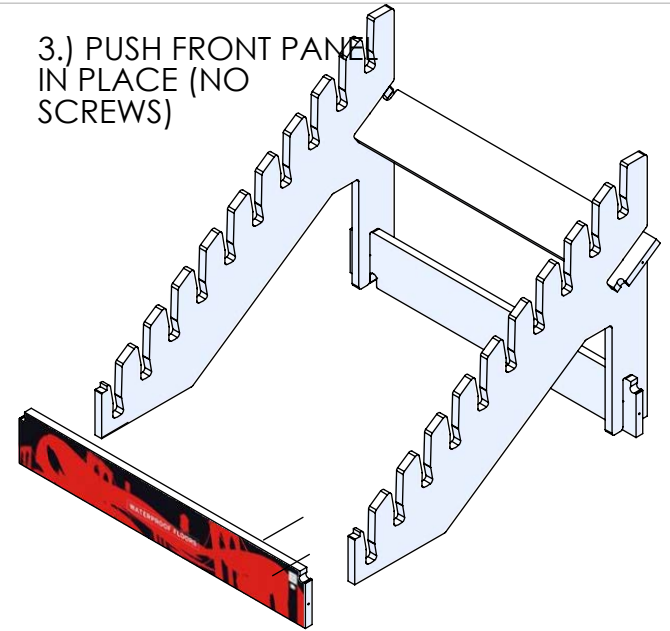
1.) SLIDE THESE 4 PARTS TOGETHER INTO SLOTS PROVIDED AS SHOWN



2.) NOTE SLOTS IN FRONT PANEL



3.) PUSH FRONT PANEL IN PLACE (NO SCREWS)



4.) ALIGN SIDE PANELS IN PLACE AND ATTACH WITH (3) SCREWS PER SIDE

