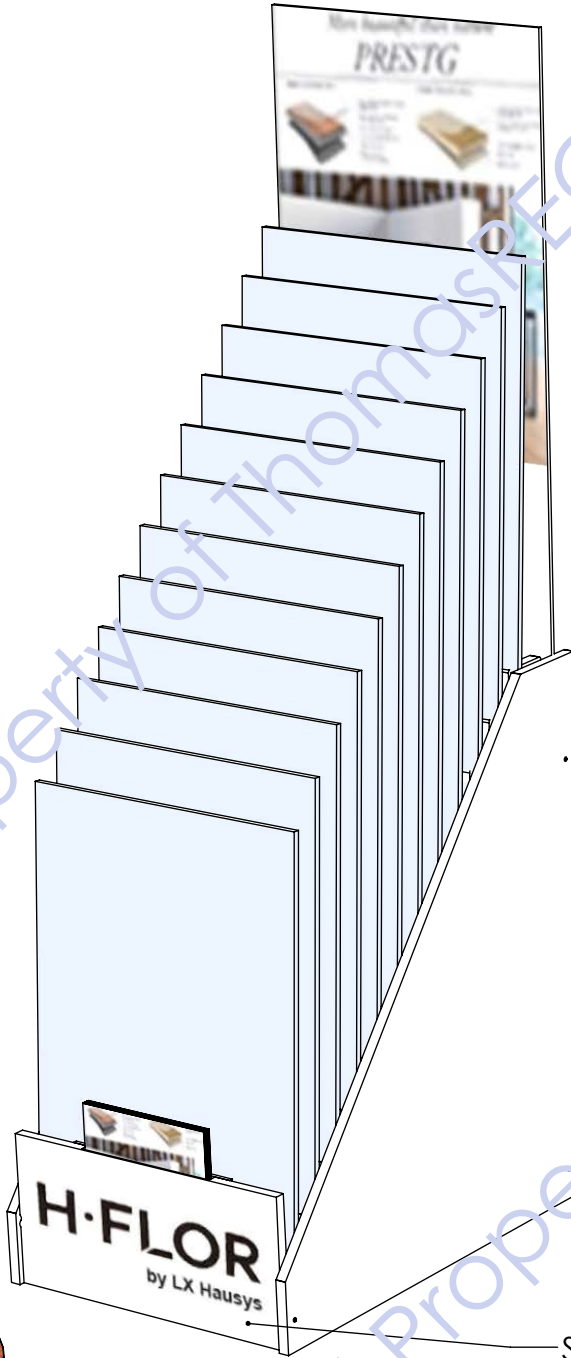
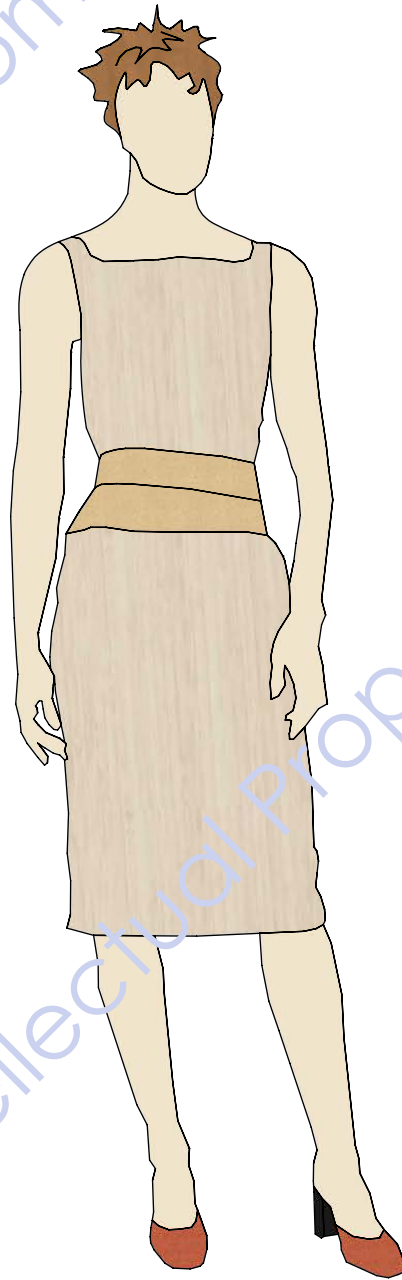
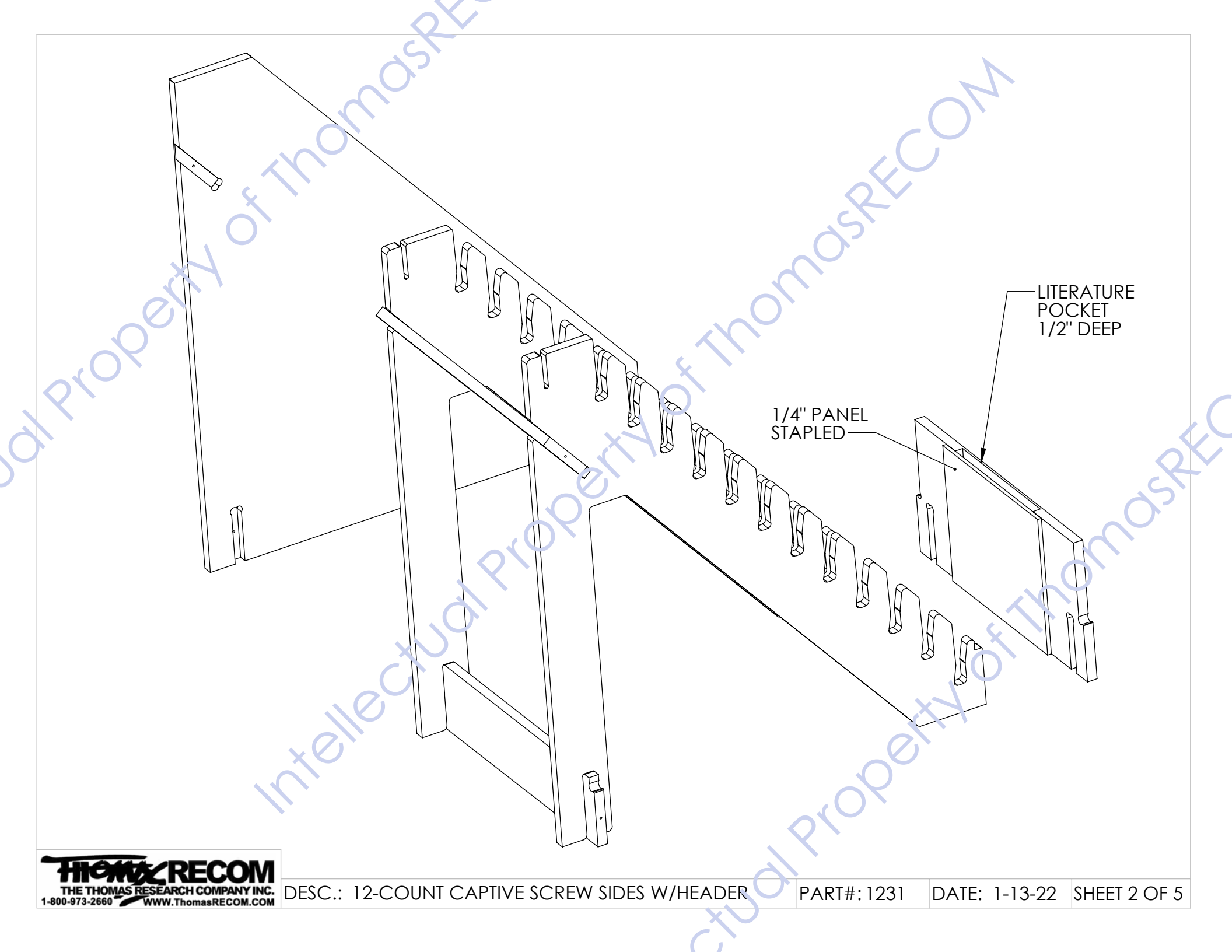


Back



SCREEN-PRINT LOGO

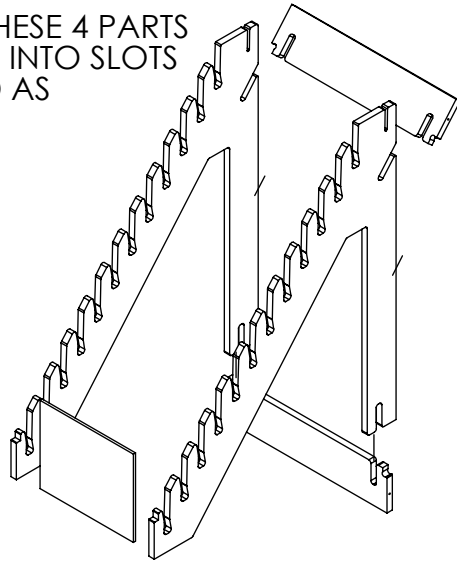


LITERATURE
POCKET
1/2" DEEP

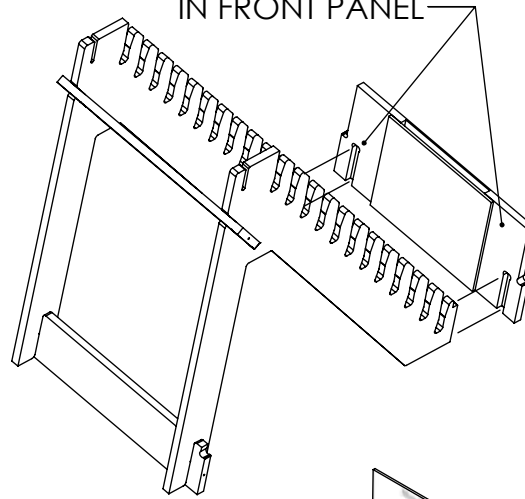
1/4" PANEL
STAPLED

ASSEMBLY INSTRUCTIONS

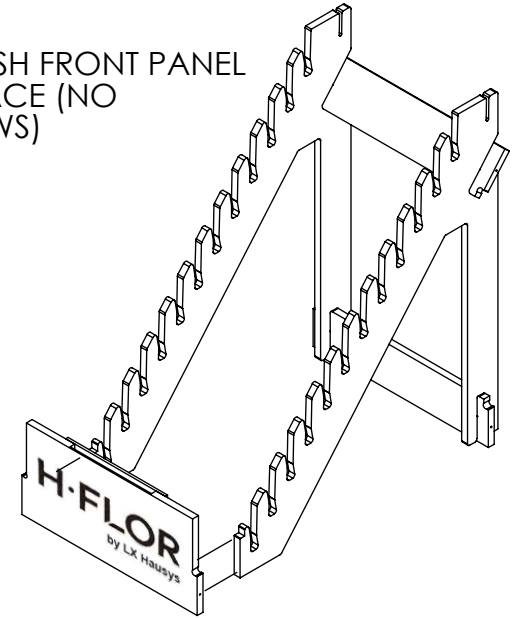
1.) SLIDE THESE 4 PARTS TOGETHER INTO SLOTS PROVIDED AS SHOWN



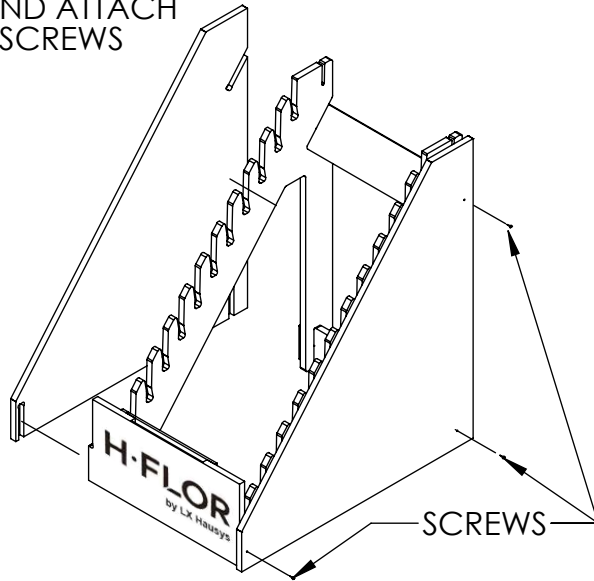
2.) NOTE SLOTS IN FRONT PANEL



3.) PUSH FRONT PANEL IN PLACE (NO SCREWS)



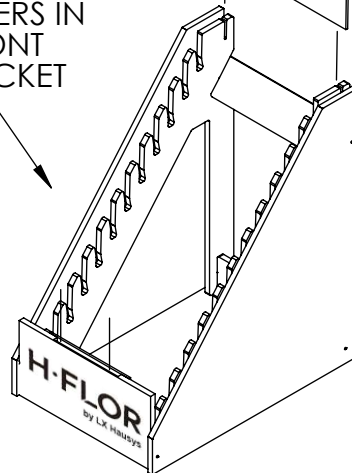
4.) ALIGN SIDE PANELS IN PLACE AND ATTACH WITH (3) SCREWS PER SIDE



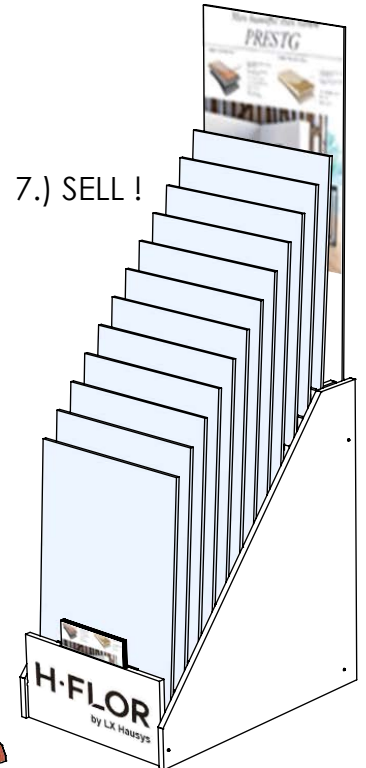
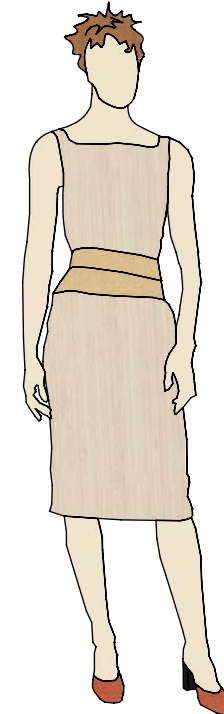
5.) DROP HEADER SIGN IN PLACE

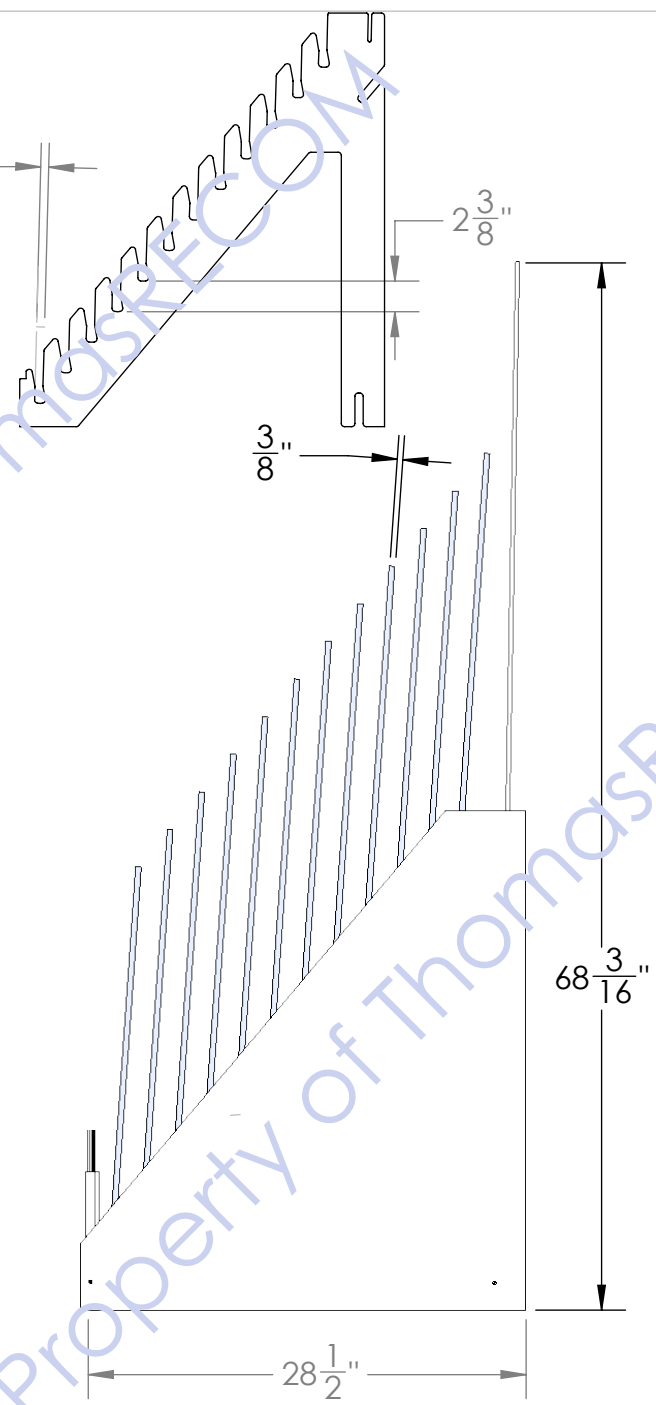
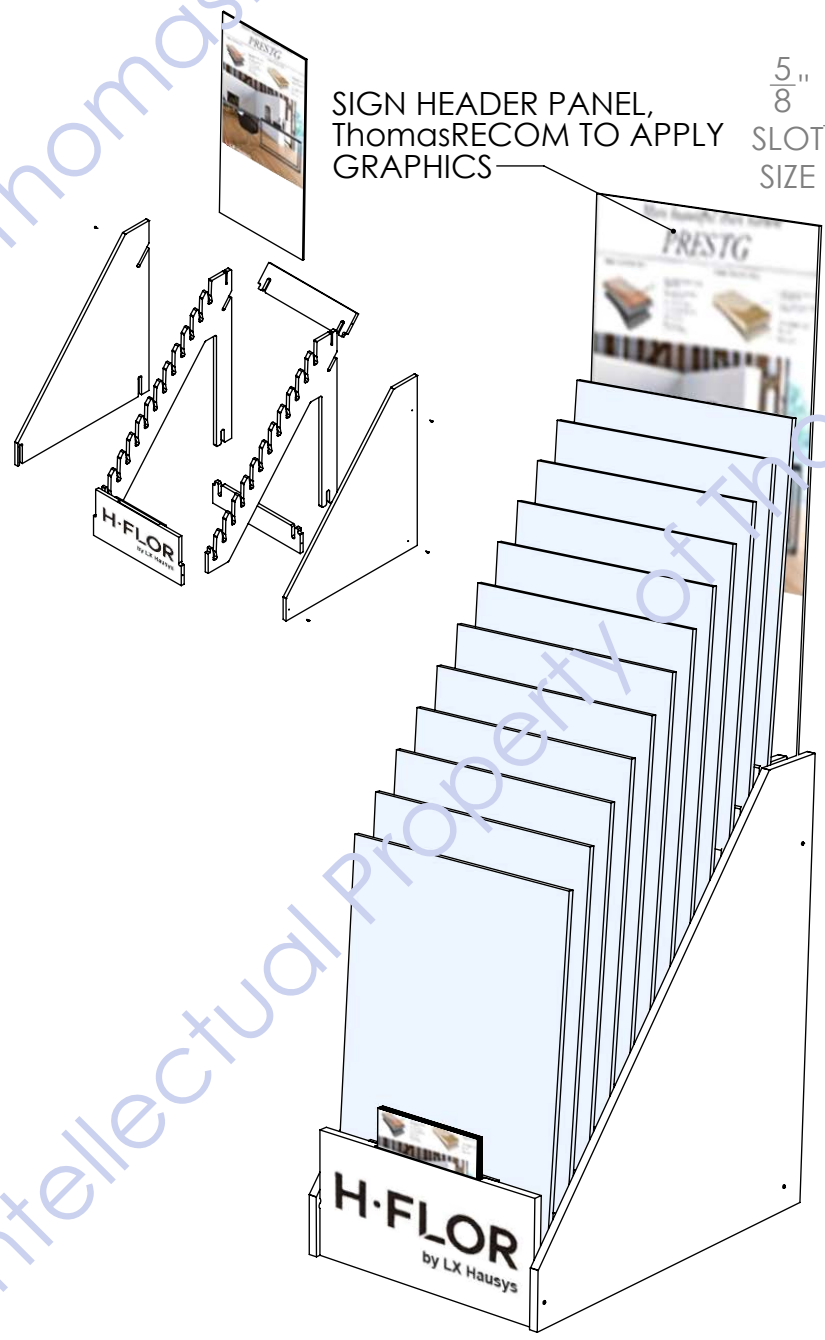
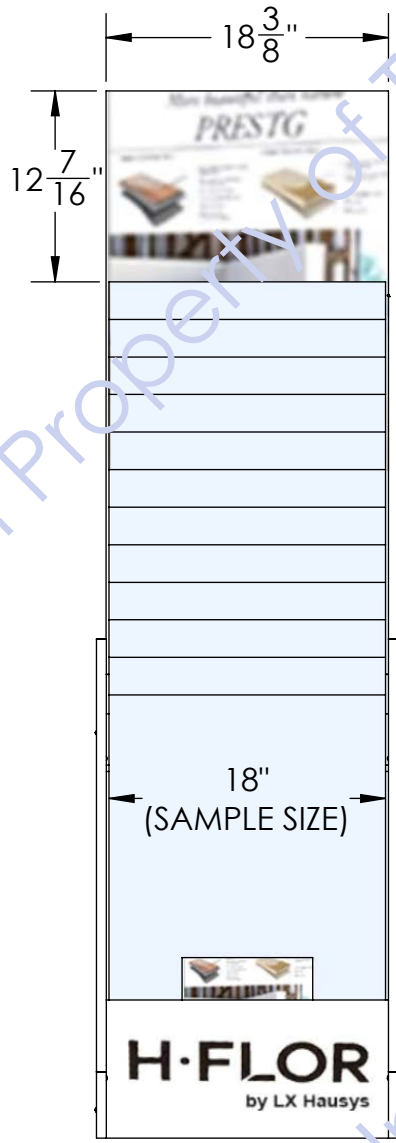


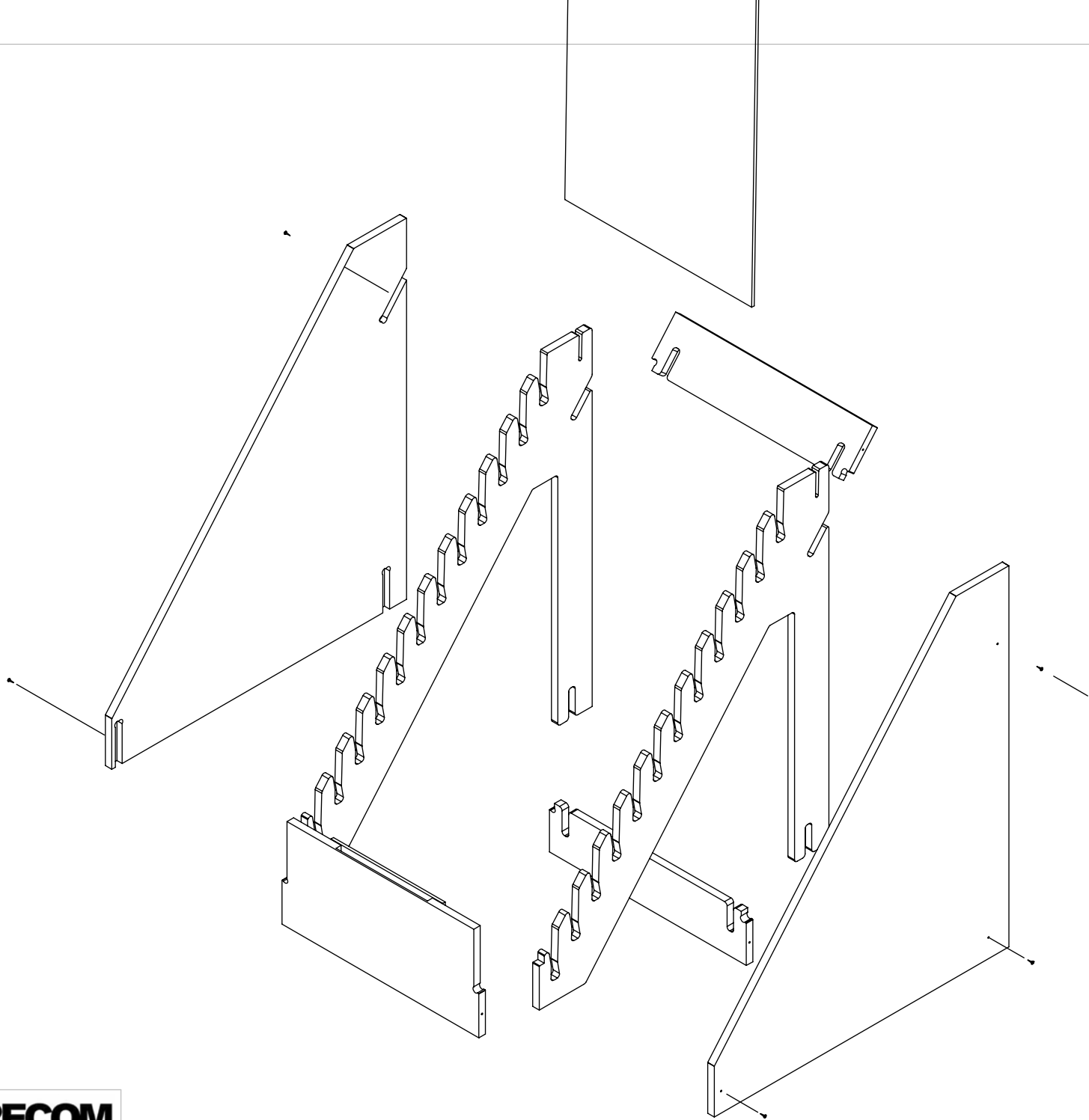
6.) DROP LITERATURE FLYERS IN FRONT POCKET



7.) SELL !







4