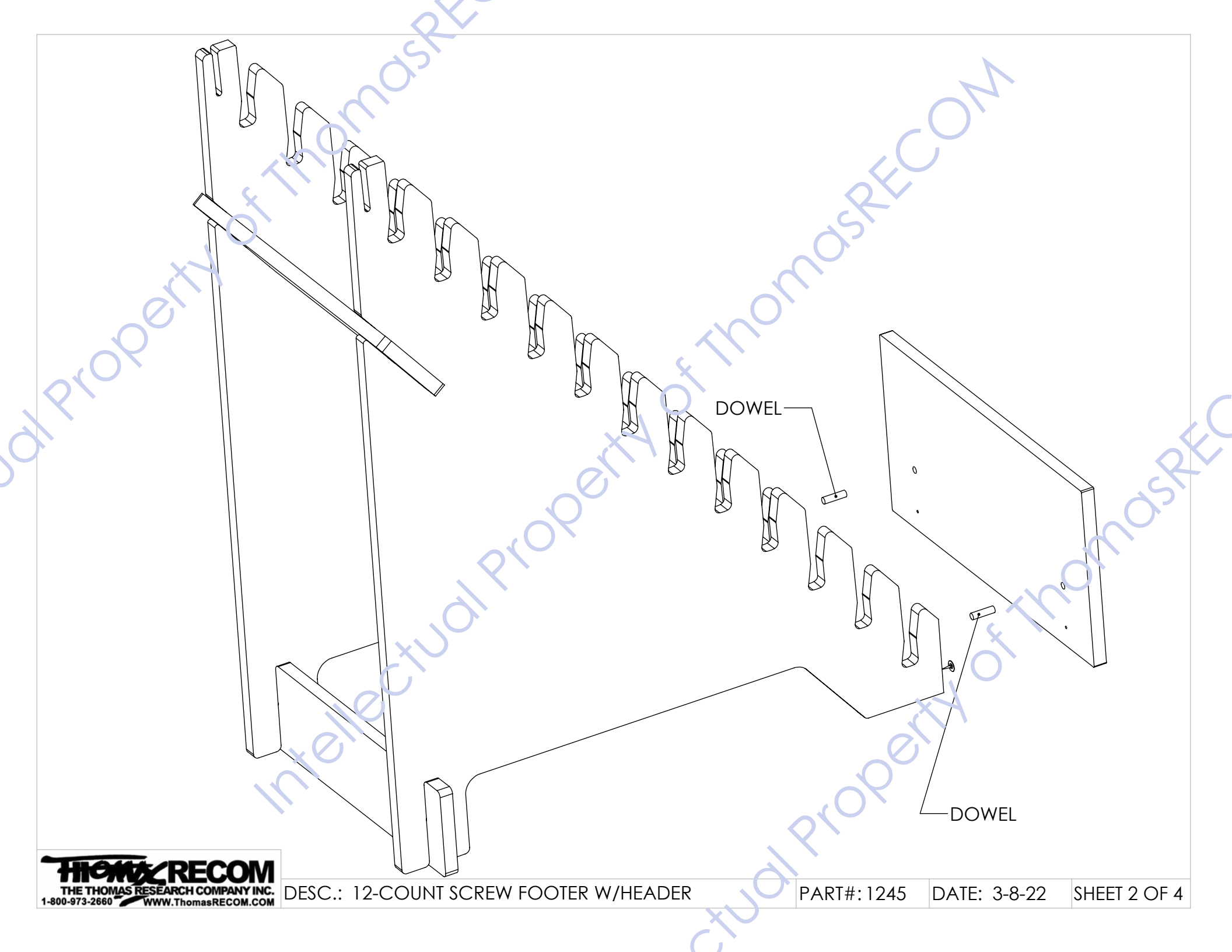


Back



H-FLOR
by LX Hausys

SCREEN-PRINT LOGO

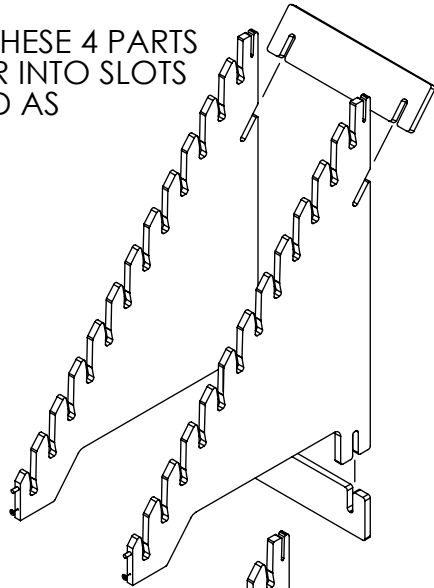


DOWEL

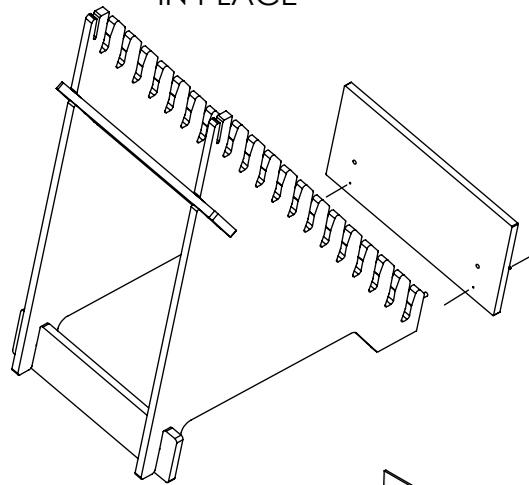
DOWEL

ASSEMBLY INSTRUCTIONS

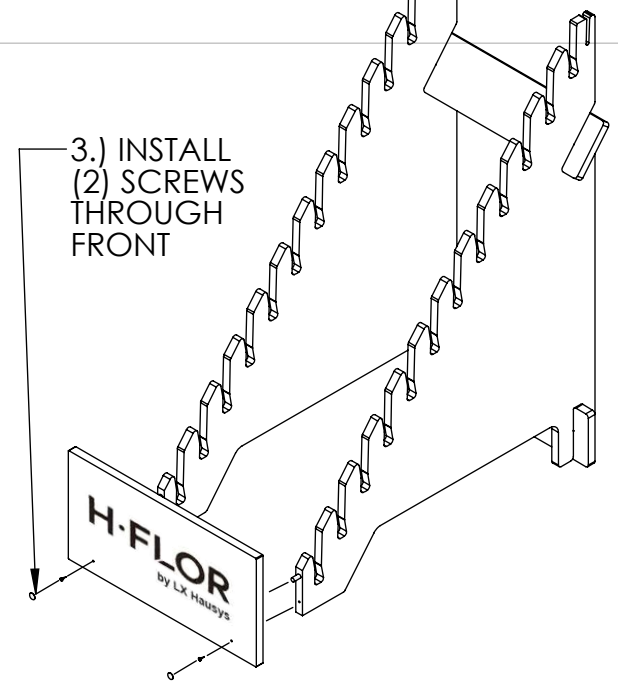
1.) SLIDE THESE 4 PARTS TOGETHER INTO SLOTS PROVIDED AS SHOWN



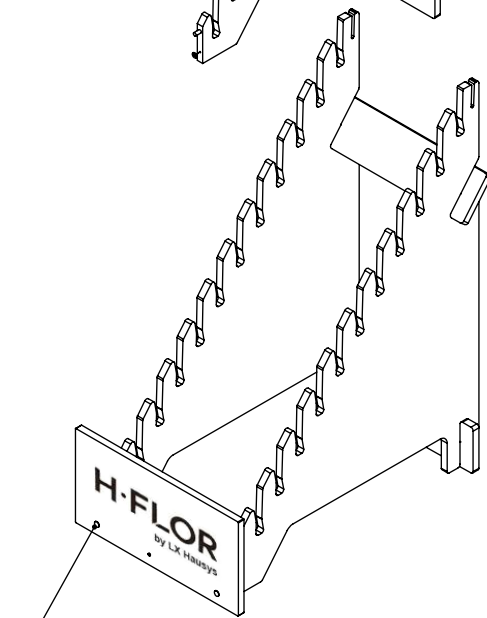
2.) PUSH FRONT PANEL IN PLACE



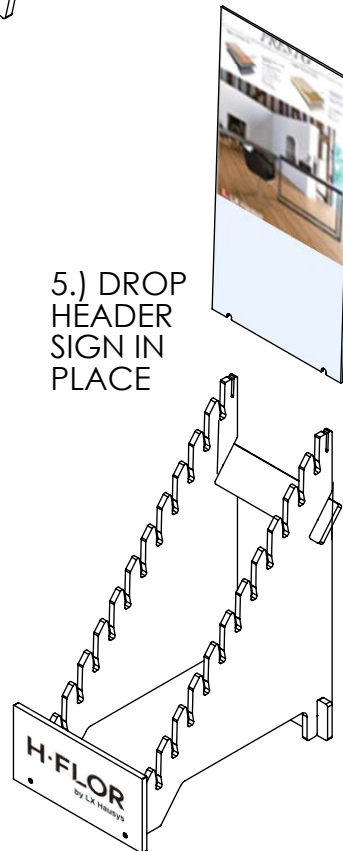
3.) INSTALL (2) SCREWS THROUGH FRONT



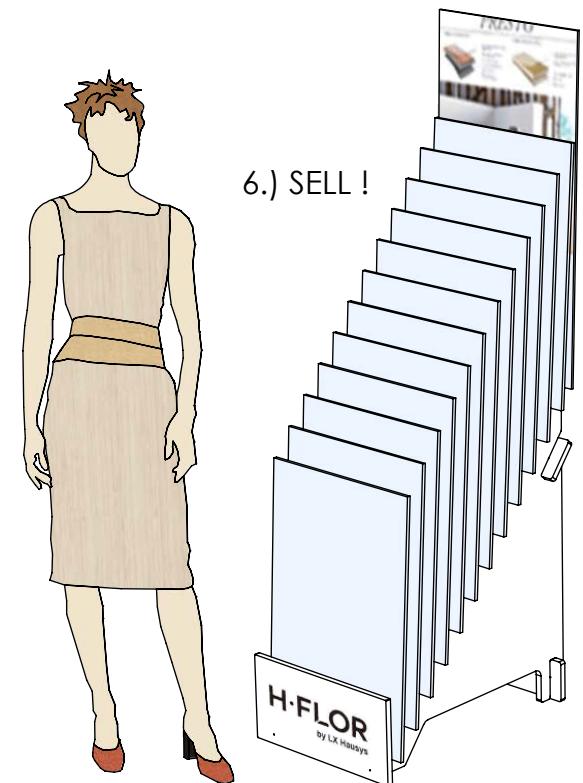
4.) APPLY COVERS OVER SCREW HEADS

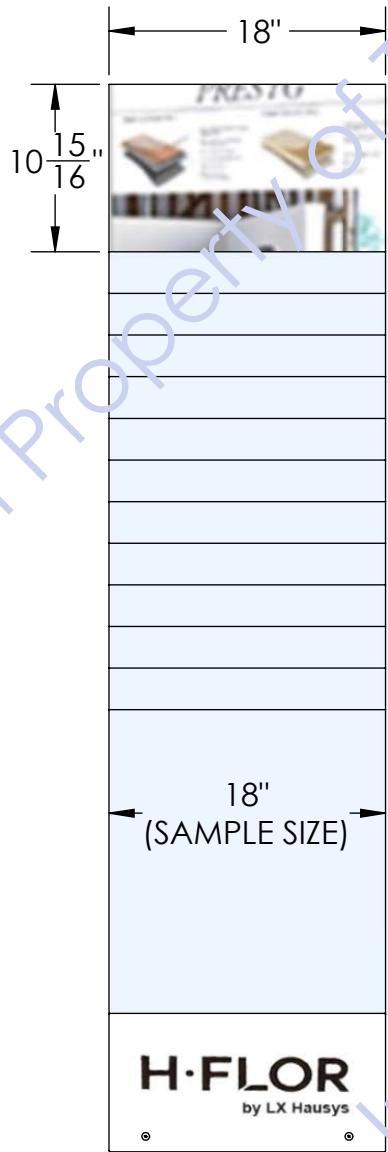


5.) DROP HEADER SIGN IN PLACE



6.) SELL !





SIGN HEADER PANEL,
ThomasRECOM TO APPLY
GRAPHICS

